

TECHNICAL DATA

Rotation speed: 1450 - 2900 1/min.

Operating range:

from 1 to 470 m³/h with head up to 143 metres.

Pumped liquid: clean, free of solids and abrasives, non-viscous, non-aggressive, non-crystallised and chemically neutral, with properties similar to water.

Pumped liquid temperature range: from -10°C to +140°C.

Maximum ambient temperature: +40 °C.

Maximum operating pressure:

16 bar - 1600 kPa (for DN 200 max 10 bar).

Flanging: PN 16 DIN 2533

PN 10 DIN 2532 for DN 200

Installation: normally in the horizontal position.

Special executions on requests: pumps for liquids other than water.

Packing (also externally powered).

Other voltages and/or frequencies.

APPLICATIONS

Standardised centrifugal single-stage pumps, designed for a wide range of applications, such as:

Water supply.

Hot water circulation for the heating system.

Circulation of cold water for air conditioning and refrigeration systems.

Transfer of liquids in agricultural, horticultural, and industrial environments.

Installation of pumping assemblies.

They can be coupled, using an elastic joint (standard or spacer), to a 2-pole or 4-pole electric motor, and installed on a formed metal sheet base in accordance with UNI EN 23661.

CONSTRUCTION FEATURES OF THE PUMP

Cast iron single stage spiral body complying with DIN-EN 733 (formerly DIN 24255), seal holder cover and cast iron motor support, flanges complying with DIN 2533 (DIN 2532 for DN 200). Cast iron impeller, closed and dynamically balanced, with compensation of the axial thrust through balancing holes, operation on interchangeable wear rings (on request). Stainless steel pump shaft supported by two permanently lubricated oversized ball bearings, housed inside an appropriate chamber in the support.

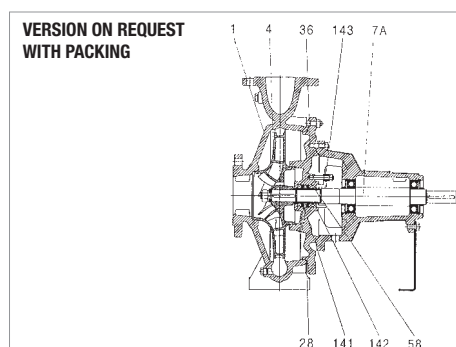
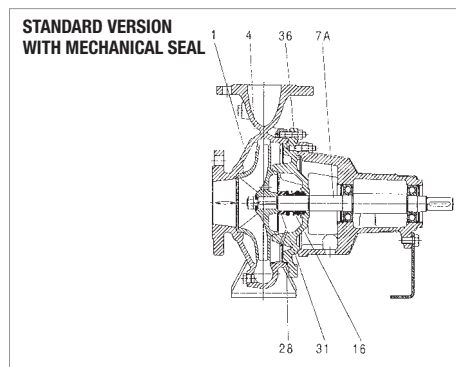
Standard seal device: standardised mechanical seal according to DIN 24960 in carbon/silicon carbide with EPDM OR rings.

Packing with lubricating hydraulic ring and stuffing box in two easily removable parts available on request.

MATERIALS

| No. | PARTS | MATERIALS |
|-----|-------------------|--------------------------------------|
| 1 | PUMP BODY | CAST IRON 250 UNI ISO 185 |
| 4 | IMPELLER | CAST IRON 200 UNI ISO 185 |
| 7A | PUMP SHAFT | AISI 420 STAINLESS STEEL UNI 6900/71 |
| 28 | OR RING | VITON |
| 36 | SEAL HOLDING DISC | CAST IRON 250 UNI ISO 185 |
| 16 | MECHANICAL SEAL | CARBON/SILICON CARBIDE |
| 31 | SEAL SPACER | AISI 304 STAINLESS STEEL UNI 6900/71 |

| No. | PARTS | MATERIALS |
|-----|----------------|--------------------------------------|
| 58 | SEAL BUSHING | AISI 420 STAINLESS STEEL UNI 6900/71 |
| 141 | HYDRAULIC RING | AISI 304 STAINLESS STEEL UNI 6900/71 |
| 142 | STUFFING BOX | RAMIE IMPREGNATED PTFE |

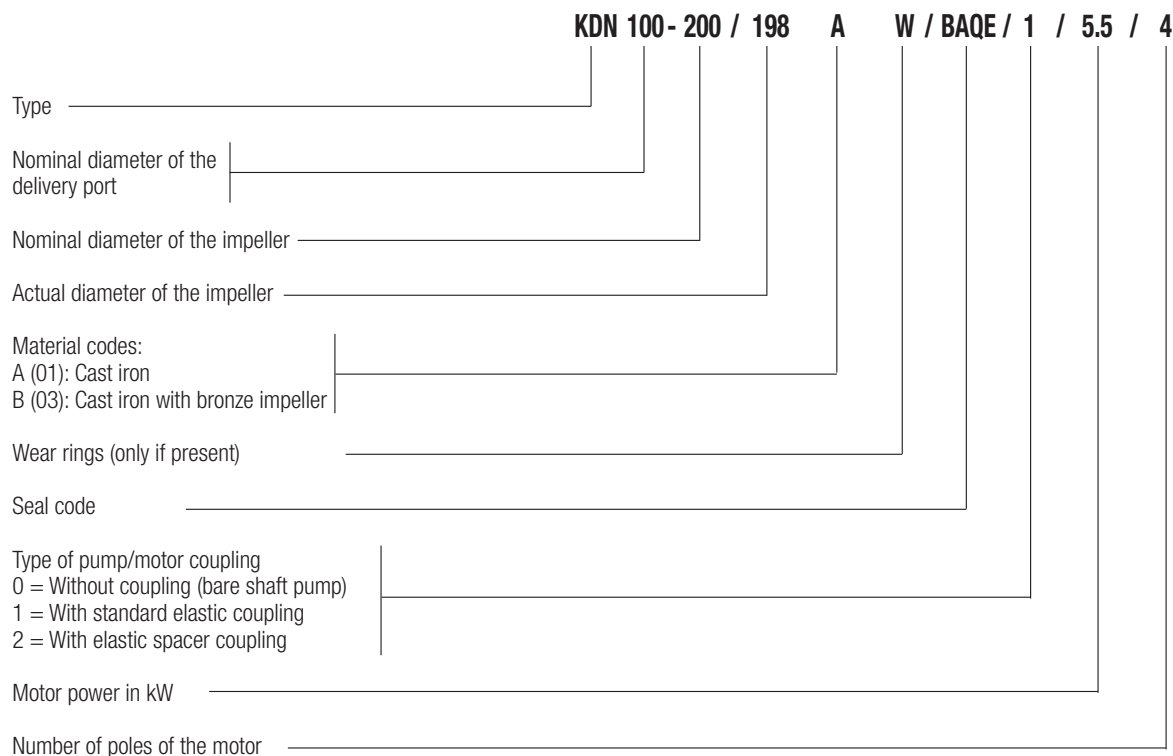


LEGEND

In the description of the bare shaft pump no mention is made of the coupling or motor data.

In the description of the pumps mounted on a base without a motor, the motor data are not mentioned.

The example given describes an NK 100-200 type pump with a cast iron 198 Ø impeller, with BAQE type mechanics, standard coupling and 4-poles 5,5 kW motor running on 380-415 V 50 Hz.



PUMP MATERIAL CODES

| Component | VERSION | |
|------------------|----------------------|---------------------------------------|
| | A (01) cast iron | B (03) cast iron with bronze impeller |
| Pump body | GG25 | GG25 |
| SEAL HOLDER DISC | GG25 | GG25 |
| Stuffing box | OT Cu 62 Si1 | OT Cu 62 Si1 |
| Impeller | GG25 | GCuSn5Zn5Pb5 UNI 7013/8a-72 |
| Wear rings* | GG20 | GG20 |
| Pump shaft | AISI 420 UNI 6900/71 | |
| Shaft sleeve* | AISI 420 UNI 6900/71 | |

PACKING CODES

| Position | Code | Description of the packing |
|----------|------|----------------------------|
| 1 | S | Stuffing box type |
| Position | Code | Cooling |
| 2 | N | Stuffing box not cooled |
| | K | Stuffing box cooled |
| Position | Code | Sealing liquid |
| 3 | E | With internal liquid |
| | F | With external liquid |
| | O | Without hydraulic ring |

* On request

** Only for packing or balanced mechanical seal.

DESCRIPTION OF THE MECHANICAL SEAL

| Position | Code | Description of the seal |
|----------|------|-------------------------------|
| 1 | A | O-ring seal with fixed guide |
| | B | Rubber bellows seal |
| | C | O-ring seal with spring guide |
| | D | O-ring seal balanced |
| | M | Rubber bellows seal |
| | X | Metal bellows seal |
| Position | Code | Materials |
| 2 & 3 | A | Impregnated carbon/metal |
| | B | Impregnated carbon/resin |
| | C | Other carbon types |
| | S | Chromium steel |
| | U | Tungsten carbide |
| | Q | Silicon carbide |
| | V | Aluminium oxide (ceramic) |
| | X | Other ceramic types |
| Position | Code | Materials |
| 4 | P | Nitrile rubber (NBR) |
| | S | Silicon rubber |
| | T | Teflon (PTFE) |
| | E | EPDM |
| | V | Viton |
| | M | PTFE coated O-ring |
| Position | Code | Materials |
| 5 | v | Reinforced |

PRODUCT CODE DESCRIPTION

| NOMINAL DIAMETER OF THE IMPELLER | Cod. |
|----------------------------------|------|
| 125 | 1 |
| 160 | 2 |
| 200 | 3 |
| 250 | 4 |
| 315 | 5 |
| | |
| 125.1 | K |
| 160.1 | L |
| 200.1 | M |

| PUMP TYPE | Cod. |
|-----------|------|
| KDN 32 | 1 |
| KDN 40 | 2 |
| KDN 50 | 3 |
| KDN 65 | 4 |
| KDN 80 | 5 |
| KDN 100 | 6 |
| KDN 125 | 7 |
| KDN 150 | 8 |

| IDENTIFICATION | Cod. |
|------------------|------|
| DAB PUMPS S.p.A. | D |

| | Cod. |
|------------------|------|
| DAB PUMPS S.p.A. | 1 |

| Cod. | PUMP/IMPELLER MATERIALS |
|------|------------------------------|
| 1 | A (01) = cast iron/cast iron |
| 2 | B (03) = cast iron/bronze |
| 3 | |
| 4 | |
| 5 | A (01) + Wr* |
| 6 | B (03) + Wr* |
| 7 | |
| 8 | |

| Cod. | PUMP/IMPELLER MATERIALS |
|------|------------------------------|
| 1 | A (01) = cast iron/cast iron |
| 2 | B (03) = cast iron/bronze |
| 3 | |
| 4 | |
| 5 | A (01) + Wr* |
| 6 | B (03) + Wr* |
| 7 | |
| 8 | |

| Cod. | SEAL DEVICE |
|------|-------------|
| 1 | BAQE |
| 2 | BAQE-RMG12 |
| 5 | BQQV* |
| 7 | BAQV* |
| A | SNE* |
| B | SNO* |
| C | SNF* |
| G | BQQE* |

* On request

| Cod. | JOINT |
|------|--------------------------------|
| 0 | Without joint |
| 1 | With standard elastic coupling |
| 2 | With elastic spacer coupling |

* Bare shaft pump

| Cod. | VOLTAGE | PO-LES |
|------|--|--------|
| 0 | Without motor | |
| 1 | 3 x 220-240/380-415 V 50 Hz (<0,75 kW) 3 x 220-277/380-480 V 60 Hz | 2 |
| 2 | 3 x 380-480 V 60 Hz | 2 |
| 3 | 3 x 220-240/380-415 V 50 Hz (<0,75 kW) 3 x 220-277/380-480 V 60 Hz | 4 |
| 4 | 3 x 380-480 V 60 Hz | 4 |
| A | 3 x 220-240/380-415 V 50 Hz - IE2 | 2 |
| B | 3 x 380-415 V 50 Hz - IE2 | 2 |
| C | 3 x 220-240/380-415 V 50 Hz - IE2 | 4 |
| D | 3 x 380-415 V 50 Hz - IE2 | 4 |
| U | 3 x 220-240/380-415 V 50 Hz - IE3 | 2 |
| V | 3 x 380-415 V 50 Hz - IE3 | 2 |
| W | 3 x 220-240/380-415 V 50 Hz - IE3 | 4 |
| X | 3 x 380-415 V 50 Hz - IE3 | 4 |

Product code

1 D 1 1 1 1 1 1 1

← Bare shaft pump → 0 0 0
 ← Pump with base without motor → 0
 ← Complete electric pump with base →

GENERAL DATA

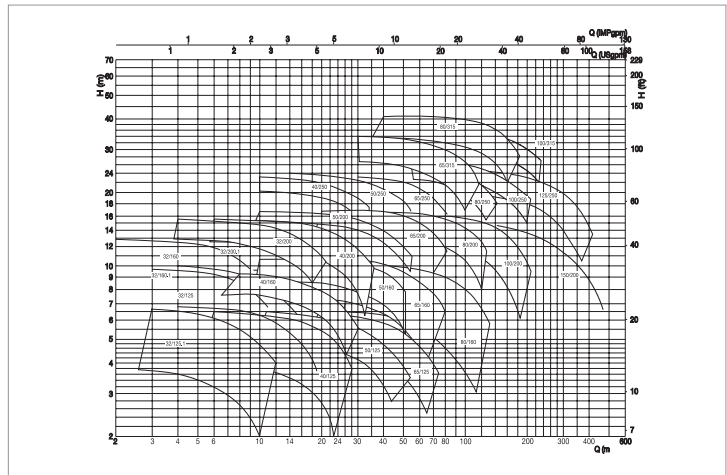
Supplied with closed asynchronous type motor, external ventilation cooling, 2 or 4 poles.

Rotor running on ball bearings, largely oversized to ensure low noise and durability.

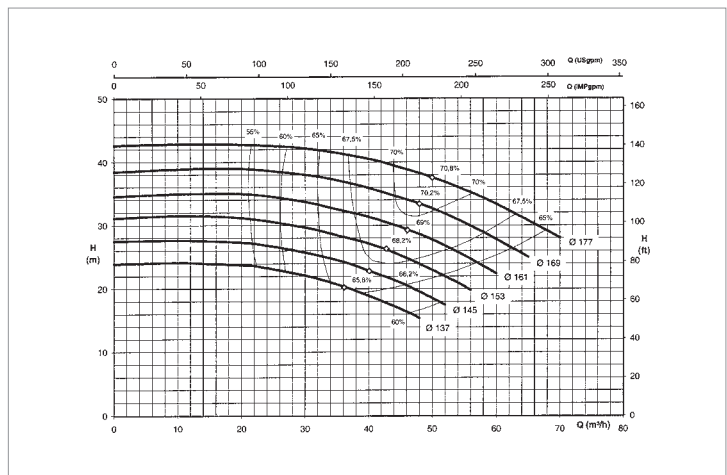
Electrical protection: in compliance with the EEC 89/336 ELECTROMAGNETIC COMPATIBILITY DIRECTIVE and subsequent amendments, the EEC 73/23 LOW VOLTAGE DIRECTIVE and subsequent amendments, as well as CEI 2-3 standards.

INSTRUCTIONS FOR THE IDENTIFICATION OF THE PUMP AND MOTOR REQUIRED.

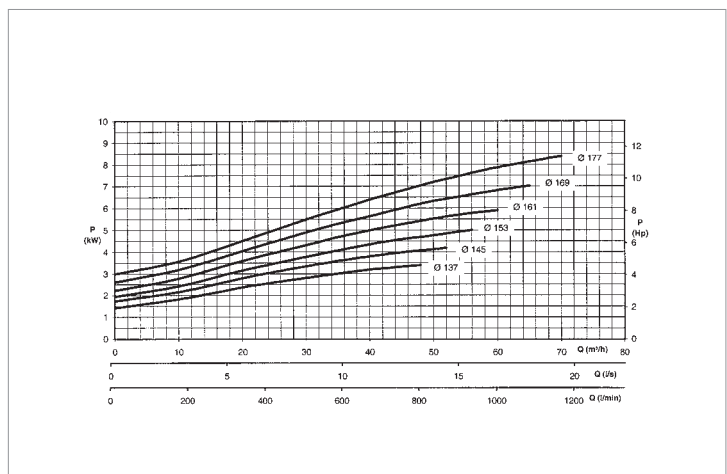
1. On the general chart supplied, find the family pump that indicatively offers the required flow rate and head characteristics.



2. Look for the most appropriate characteristic on the characteristic curves for each family.



3. On the power chart, identify the power required by the pump in order to operate at the required level.



- Due to the possibility of variations in the pumped liquid flow rate, which can cause an oscillation of the point of operation, a higher power absorption may occur. When selecting the motor, allow for the following safety margins:

Safety margin according to ISO 5199

| REQUIRED PUMP SHAFT POWER (kW) | POWER OF THE MOTOR TO USE P2 (kW) |
|--------------------------------|-----------------------------------|
| 322 | 355 |
| 286 | 315 |
| 227 | 250 |
| 181 | 200 |
| 145 | 160 |
| 120 | 132 |
| 100 | 110 |
| 81 | 90 |
| 68 | 75 |
| 49 | 55 |
| 40 | 45 |
| 32.5 | 37 |
| 26 | 30 |
| 19 | 22 |
| 15.9 | 18.5 |
| 12.8 | 15 |
| 9.1 | 11 |
| 6.1 | 7.5 |
| 4.3 | 5.5 |
| 3.2 | 4 |
| 2.3 | 3 |
| 1.7 | 2.2 |
| 1.1 | 1.5 |
| 0.81 | 1.1 |
| 0.55 | 0.75 |
| 0.40 | 0.55 |
| 0.27 | 0.37 |
| 0.18 | 0.25 |

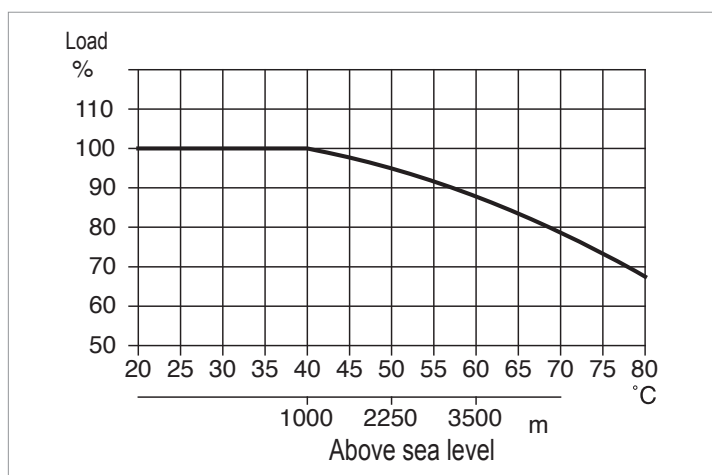
If the pump is to be used with liquids with fairly high specific weight and viscosity values, apply any required corrections to the power of the motor to be installed (check the suitability of the construction materials in contact with the liquid).

- With the name of the pump and the power of the motor, look through the following technical data to find the name of the most suitable base (complete with motor, spacer coupling, and coupling cover).
- The pump and base required will be delivered already assembled and aligned, although an alignment check is always required after installation (see INSTRUCTION MANUAL).

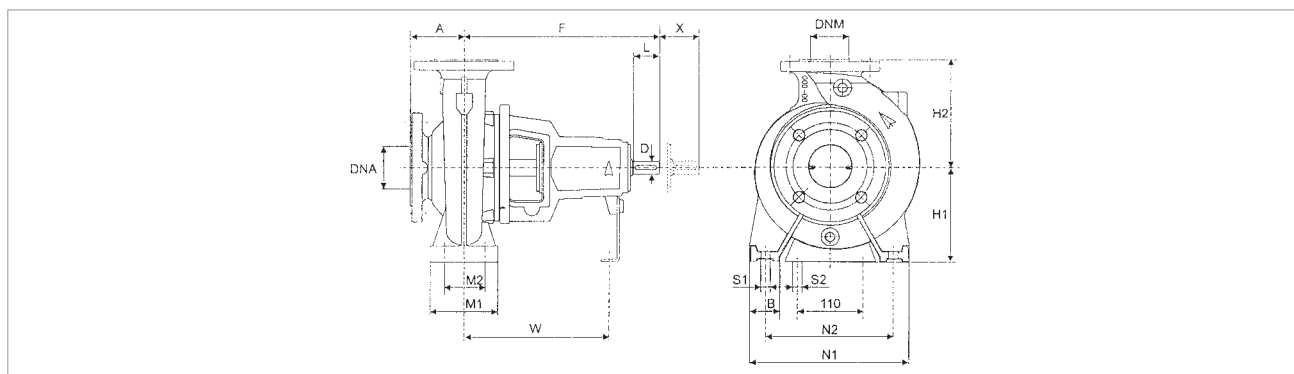
Ambient temperature

From -30 °C to +40 °C

Due to the low density, and therefore low cooling effect of the air, operation at an ambient temperature above 40 °C, or at an altitude exceeding 1000 m above sea level, requires a reduction of the rated motor load in accordance with this table.



DIMENSIONS OF BARE SHAFT PUMPS



| MODEL | η MAX 1450 min ⁻¹ | | η MAX 2900 min ⁻¹ | | FLANGE DIMENSIONS | | PUMP DIMENSIONS | | | | BASE DIMENSIONS | | | | | BOLT HOLES | | SHAFT END | | X | WEIGHT kg | |
|--------------|--------------------------------------|--------|--------------------------------------|--------|----------------------|-----|-----------------|-----|-----|-----|-----------------|-----|-----|-----|-----|------------|-----|-----------|----|----|--------------|-----|
| | Q m ³ /h | H m | Q m ³ /h | H m | DNA | DNM | A | F | H1 | H2 | B | M1 | M2 | N1 | N2 | W | S1 | S2 | D | | | L |
| KDN 32-125.1 | 10.5 | 5.5 | 20.9 | 22 | 50 | 32 | 80 | 360 | 112 | 140 | 50 | 100 | 70 | 190 | 140 | 260 | M12 | M12 | 24 | 50 | 100 | 37 |
| KDN 32-125 | 13.6 | 5.8 | 28 | 22.8 | 50 | 32 | 80 | 360 | 112 | 140 | 50 | 100 | 70 | 190 | 140 | 260 | M12 | M12 | 24 | 50 | 100 | 36 |
| KDN 32-160.1 | 8.7 | 8.3 | 17.5 | 33 | 50 | 32 | 80 | 360 | 132 | 160 | 50 | 100 | 70 | 240 | 190 | 260 | M12 | M12 | 24 | 50 | 100 | 38 |
| KDN 32-160 | 15.9 | 8.6 | 31 | 34 | 50 | 32 | 80 | 360 | 132 | 160 | 50 | 100 | 70 | 240 | 190 | 260 | M12 | M12 | 24 | 50 | 100 | 38 |
| KDN 32-200.1 | 8.5 | 11.4 | 18 | 45 | 50 | 32 | 80 | 360 | 160 | 180 | 50 | 100 | 70 | 240 | 190 | 260 | M12 | M12 | 24 | 50 | 100 | 46 |
| KDN 32-200 | 17.7 | 13.2 | 35.5 | 52.5 | 50 | 32 | 80 | 360 | 160 | 180 | 50 | 100 | 70 | 240 | 190 | 260 | M12 | M12 | 24 | 50 | 100 | 46 |
| KDN 40-125 | 21.8 | 5.6 | 46 | 21.5 | 65 | 40 | 80 | 360 | 112 | 140 | 50 | 100 | 70 | 210 | 160 | 260 | M12 | M12 | 24 | 50 | 100 | 39 |
| KDN 40-160 | 25.8 | 9.2 | 50 | 37.2 | 65 | 40 | 80 | 360 | 132 | 160 | 50 | 100 | 70 | 240 | 190 | 260 | M12 | M12 | 24 | 50 | 100 | 41 |
| KDN 40-200 | 29 | 12.6 | 57 | 51 | 65 | 40 | 100 | 360 | 160 | 180 | 50 | 100 | 70 | 265 | 212 | 260 | M12 | M12 | 24 | 50 | 100 | 49 |
| KDN 40-250 | 31 | 19.1 | 62 | 77 | 65 | 40 | 100 | 360 | 180 | 225 | 65 | 125 | 95 | 320 | 250 | 260 | M12 | M12 | 24 | 50 | 100 | 57 |
| KDN 50-125 | 41 | 5.4 | 83 | 21.5 | 65 | 50 | 100 | 360 | 132 | 160 | 50 | 100 | 70 | 240 | 190 | 260 | M12 | M12 | 24 | 50 | 100 | 42 |
| KDN 50-160 | 43.3 | 9.3 | 87.5 | 37 | 65 | 50 | 100 | 360 | 160 | 180 | 50 | 100 | 70 | 265 | 212 | 260 | M12 | M12 | 24 | 50 | 100 | 44 |
| KDN 50-200 | 41 | 14 | 81 | 56 | 65 | 50 | 100 | 360 | 160 | 200 | 50 | 100 | 70 | 265 | 212 | 260 | M12 | M12 | 24 | 50 | 100 | 51 |
| KDN 50-250 | 49 | 19.1 | 100 | 76 | 65 | 50 | 100 | 360 | 180 | 225 | 65 | 125 | 95 | 320 | 250 | 260 | M12 | M12 | 24 | 50 | 100 | 59 |
| KDN 65-125 | 57 | 5.2 | 114 | 21 | 80 | 65 | 100 | 360 | 160 | 180 | 65 | 125 | 95 | 280 | 212 | 260 | M12 | M12 | 24 | 50 | 100 | 46 |
| KDN 65-160 | 61 | 8.6 | 121 | 34.5 | 80 | 65 | 100 | 360 | 160 | 200 | 65 | 125 | 95 | 280 | 212 | 260 | M12 | M12 | 24 | 50 | 100 | 47 |
| KDN 65-200 | 62 | 14.8 | 123 | 59 | 80 | 65 | 100 | 360 | 180 | 225 | 65 | 125 | 95 | 320 | 250 | 260 | M12 | M12 | 24 | 50 | 140 | 66 |
| KDN 65-250 | 65.4 | 20 | 129 | 81 | 80 | 65 | 100 | 470 | 200 | 250 | 80 | 160 | 120 | 360 | 280 | 340 | M16 | M12 | 32 | 80 | 140 | 93 |
| KDN 65-315 | 84 | 31.5 | - | - | 80 | 65 | 125 | 470 | 225 | 280 | 80 | 160 | 120 | 400 | 315 | 340 | M16 | M12 | 32 | 80 | 140 | 112 |
| KDN 80-160 | 101 | 8.1 | 195 | 33.5 | 100 | 80 | 125 | 360 | 180 | 225 | 65 | 125 | 95 | 320 | 250 | 260 | M12 | M12 | 24 | 50 | 140 | 55 |
| KDN 80-200 | 101 | 14.4 | 200 | 57.5 | 100 | 80 | 125 | 470 | 180 | 250 | 65 | 125 | 95 | 345 | 280 | 340 | M12 | M12 | 32 | 80 | 140 | 84 |
| KDN 80-250 | 103 | 23 | 215 | 88 | 100 | 80 | 125 | 470 | 200 | 280 | 80 | 160 | 120 | 400 | 315 | 340 | M16 | M12 | 32 | 80 | 140 | 104 |
| KDN 80-315 | 136 | 35 | - | - | 100 | 80 | 125 | 470 | 250 | 315 | 80 | 160 | 120 | 400 | 315 | 340 | M16 | M12 | 32 | 80 | 140 | 122 |
| KDN 100-200 | 163 | 13.4 | 315 | 53 | 125 | 100 | 125 | 470 | 200 | 280 | 80 | 160 | 120 | 360 | 280 | 340 | M16 | M12 | 32 | 80 | 140 | 96 |
| KDN 100-250 | 159 | 21.8 | 313 | 87 | 125 | 100 | 140 | 470 | 225 | 280 | 80 | 160 | 120 | 400 | 315 | 340 | M16 | M12 | 32 | 80 | 140 | 111 |
| KDN 100-315 | 187 | 34.1 | - | - | 125 | 100 | 140 | 470 | 250 | 315 | 80 | 160 | 120 | 400 | 315 | 340 | M16 | M12 | 32 | 80 | 140 | 126 |
| KDN 125-250 | 289 | 20.5 | - | - | 150 | 125 | 140 | 470 | 250 | 355 | 80 | 160 | 120 | 400 | 315 | 340 | M16 | M12 | 32 | 80 | 140 | 135 |
| KDN 150-200 | 378 | 10 | - | - | 200 | 150 | 160 | 470 | 280 | 400 | 100 | 200 | 150 | 550 | 450 | 340 | M20 | M12 | 32 | 80 | 140 | 178 |

FLANGE DIMENSIONS (mm)

| | Nominal diameter (DN) | | | | | | | | |
|--------------|-----------------------|-----|-----|-----|-----|-----|-----|-----|----------------|
| | DIN 2533 PN 16 | | | | | | | | DIN 2533 PN 10 |
| | 32 | 40 | 50 | 65 | 80 | 100 | 125 | 150 | 200 |
| D(| 32 | 40 | 50 | 65 | 80 | 100 | 125 | 150 | 200 |
| D) | 100 | 110 | 125 | 145 | 160 | 180 | 210 | 240 | 295 |
| D[| 140 | 150 | 165 | 185 | 200 | 220 | 250 | 285 | 340 |
| S | 18 | 18 | 18 | 18 | 18 | 18 | 18 | 22 | 22 |
| NO. OF HOLES | 4 | 4 | 4 | 4 | 8 | 8 | 8 | 8 | 8 |

KDN - 4 POLE RANGE

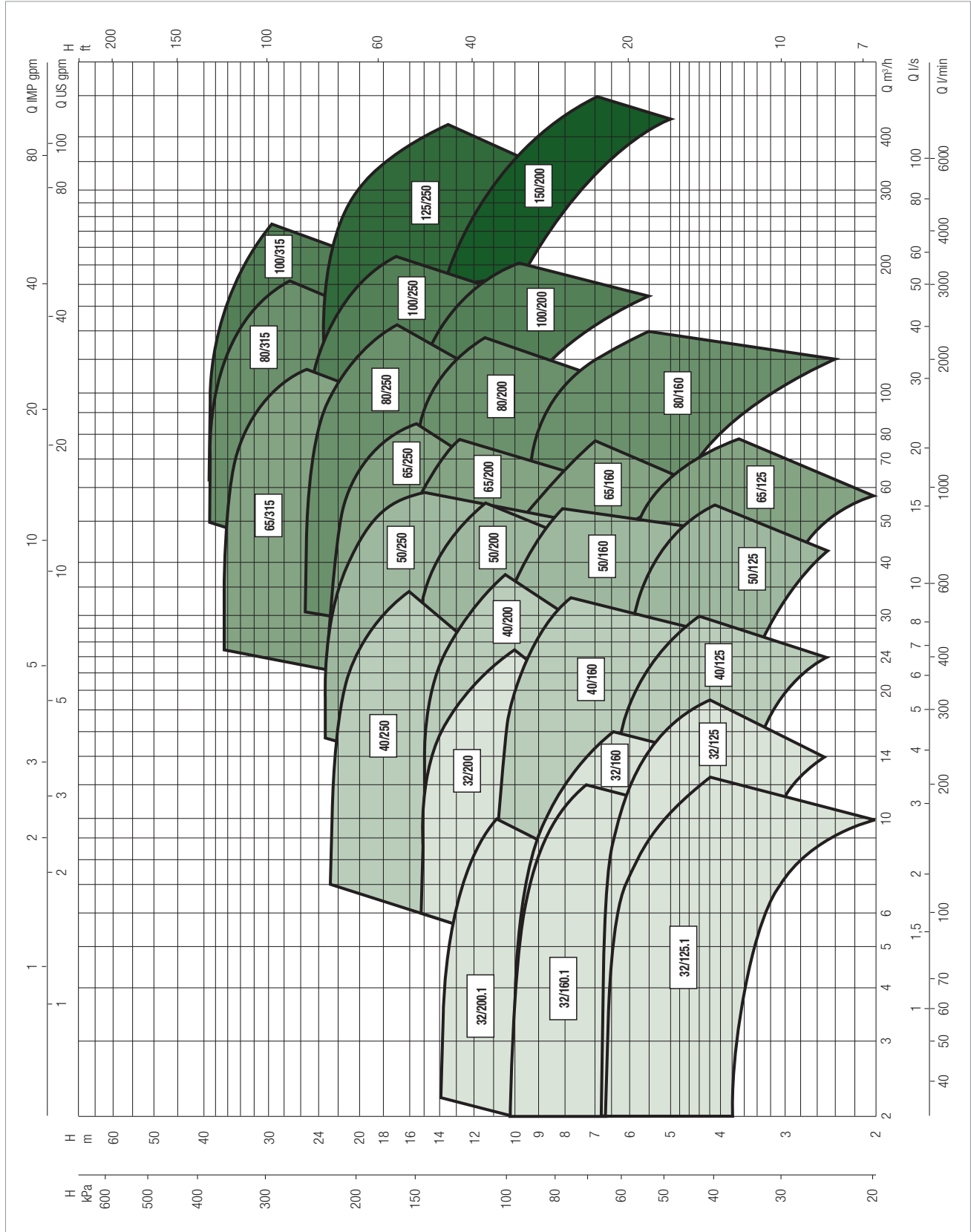
STANDARDISED CENTRIFUGAL ELECTRIC PUMPS

PERFORMANCE RANGE

The performance curves are based on kinematic viscosity values = 1 mm²/s and density equal to 1000 kg/m³. Curve tolerance according to ISO 9906.

GRAPHIC SELECTION TABLE

= 1450 1/min



KDN - 4 POLES

STANDARDISED CENTRIFUGAL ELECTRIC PUMPS

SELECTION TABLE - KDN 32

| MODEL | Q=m ³ /h | 0 | 3 | 6 | 12 | 18 | 24 |
|------------------|---------------------|------|------|------|------|------|-----|
| | Q=l/min | 0 | 50 | 100 | 200 | 300 | 400 |
| KDN 32-125.1/105 | H (m) | 3.5 | 3.4 | 3.1 | | | |
| KDN 32-125.1/110 | | 3.9 | 3.8 | 3.5 | | | |
| KDN 32-125.1/115 | | 4.25 | 4.2 | 3.9 | | | |
| KDN 32-125.1/120 | | 4.7 | 4.6 | 4.3 | | | |
| KDN 32-125.1/125 | | 5.1 | 5.1 | 4.8 | | | |
| KDN 32-125.1/130 | | 5.6 | 5.6 | 5.3 | | | |
| KDN 32-125.1/135 | | 6.1 | 6 | 5.8 | 4.4 | | |
| KDN 32-125.1/140 | | 6.6 | 6.6 | 6.4 | 5.1 | | |
| KDN 32-125/115 | | 4.3 | | 4.1 | 3.2 | | |
| KDN 32-125/120 | | 4.75 | | 4.6 | 3.75 | | |
| KDN 32-125/125 | | 5.2 | | 5.05 | 4.2 | | |
| KDN 32-125/130 | | 5.7 | | 5.5 | 4.8 | | |
| KDN 32-125/135 | | 6.2 | | 6 | 5.3 | 3.65 | |
| KDN 32-125/142 | | 6.9 | | 6.75 | 6.15 | 4.5 | |
| KDN 32-160.1/137 | | 5.3 | 5.3 | 4.7 | | | |
| KDN 32-160.1/145 | | 6.2 | 6.1 | 5 | | | |
| KDN 32-160.1/153 | | 7 | 7 | 6.6 | | | |
| KDN 32-160.1/161 | | 8 | 7.9 | 7.6 | | | |
| KDN 32-160.1/169 | | 8.9 | 8.9 | 8.6 | 5.5 | | |
| KDN 32-160.1/177 | | 9 | 9.8 | 9.5 | 6.6 | | |
| KDN 32-160/137 | | 5.9 | | 5.6 | 4.4 | | |
| KDN 32-160/145 | | 6.7 | | 6.5 | 5.3 | | |
| KDN 32-160/153 | | 7.6 | | 7.4 | 6.25 | | |
| KDN 32-160/161 | | 8.5 | | 8.25 | 7.25 | | |
| KDN 32-160/169 | | 9.5 | | 9.3 | 8.4 | 6.6 | |
| KDN 32-160/177 | | 10.5 | | 10.4 | 9.6 | 7.8 | |
| KDN 32-200.1/170 | | 8.6 | 8.5 | 7.2 | | | |
| KDN 32-200.1/180 | | 9.8 | 9.8 | 9 | | | |
| KDN 32-200.1/190 | | 11.3 | 11.1 | 10.5 | | | |
| KDN 32-200.1/200 | | 12.8 | 12.7 | 11.7 | 8.3 | | |
| KDN 32-200.1/207 | | 13.8 | 13.8 | 13 | 8.9 | | |
| KDN 32-200/170 | | 8.6 | | 8.2 | 6.7 | | |
| KDN 32-200/180 | | 9.9 | | 9.6 | 8.2 | | |
| KDN 32-200/190 | | 11.2 | | 10.9 | 9.7 | 7 | |
| KDN 32-200/200 | | 12.6 | | 12.3 | 11.1 | 8.7 | |
| KDN 32-200/210 | | 14.3 | | 14 | 13.1 | 10.7 | |
| KDN 32-200/219 | | 15.7 | | 15.4 | 14.8 | 13 | 9.8 |

KDN - 4 POLES

STANDARDISED CENTRIFUGAL ELECTRIC PUMPS

TABELLA DI SELEZIONE - KDN 40

| MODEL | Q=m ³ /h | 0 | 6 | 12 | 18 | 24 | 30 | 36 |
|----------------|---------------------|------|------|------|------|------|------|------|
| | Q=l/min | 0 | 100 | 200 | 300 | 400 | 500 | 600 |
| KDN 40-125/115 | H (m) | 4.2 | 4.1 | 3.8 | 3.2 | 2.4 | | |
| KDN 40-125/120 | | 4.6 | 4.5 | 4.2 | 3.7 | 2.9 | | |
| KDN 40-125/125 | | 5.1 | 4.9 | 4.7 | 4.1 | 3.3 | | |
| KDN 40-125/130 | | 5.5 | 5.4 | 5.2 | 4.7 | 3.9 | | |
| KDN 40-125/135 | | 6 | 5.9 | 5.8 | 5.3 | 4.6 | | |
| KDN 40-125/142 | | 6.7 | 6.6 | 6.5 | 6 | 5.3 | 4.1 | |
| KDN 40-160/137 | | 5.9 | 5.8 | 5.8 | 5 | 3.7 | | |
| KDN 40-160/145 | | 6.7 | 6.6 | 6.5 | 6 | 4.8 | | |
| KDN 40-160/153 | | 7.6 | 7.6 | 7.5 | 7 | 6.8 | | |
| KDN 40-160/161 | | 8.6 | 8.5 | 8.4 | 8 | 7.1 | 5.6 | |
| KDN 40-160/169 | | 9.6 | 9.5 | 9.5 | 9.1 | 8.3 | 7 | |
| KDN 40-160/177 | | 10.7 | 10.7 | 10.6 | 10.2 | 9.5 | 8.3 | |
| KDN 40-200/170 | | 8.4 | 8.4 | 8.2 | 7.4 | 5.7 | | |
| KDN 40-200/180 | | 9.7 | 9.7 | 9.4 | 8.8 | 7.2 | | |
| KDN 40-200/190 | | 10.9 | 10.8 | 10.7 | 10.2 | 8.8 | 6.8 | |
| KDN 40-200/200 | | 12.2 | 12.1 | 12 | 11.7 | 10.4 | 8.6 | |
| KDN 40-200/210 | | 13.6 | 13.5 | 13.5 | 13.2 | 12.1 | 10.6 | |
| KDN 40-200/219 | | 15 | 15 | 15 | 14.7 | 13.8 | 12.4 | 10.4 |
| KDN 40-250/220 | | 15.8 | | 15.6 | 14.8 | 13.6 | 12 | |
| KDN 40-250/230 | | 17.4 | | 17.2 | 16.5 | 15.3 | 13.7 | |
| KDN 40-250/240 | 19.1 | | 19 | 18.2 | 17 | 15.5 | | |
| KDN 40-250/250 | 20.7 | | 20.6 | 20 | 18.9 | 17.5 | | |
| KDN 40-250/260 | 22.7 | | 22.6 | 22.1 | 21 | 19.5 | | |

KDN - 4 POLES

STANDARDISED CENTRIFUGAL ELECTRIC PUMPS

SELECTION TABLE - KDN 50

| MODEL | Q=m ³ /h | 0 | 12 | 18 | 24 | 30 | 36 | 42 | 48 | 54 |
|----------------|---------------------|------|------|------|------|------|------|------|------|------|
| | Q=l/min | 0 | 200 | 300 | 400 | 500 | 600 | 700 | 800 | 900 |
| KDN 50-125/115 | H (m) | 4.2 | 4.1 | 3.9 | 3.6 | 3.3 | 2.9 | 2.3 | | |
| KDN 50-125/120 | | 4.6 | 4.4 | 4.3 | 4 | 3.7 | 3.3 | 2.8 | | |
| KDN 50-125/125 | | 5 | 4.9 | 4.7 | 4.5 | 4.2 | 3.7 | 3.3 | | |
| KDN 50-125/130 | | 5.6 | 5.4 | 5.2 | 5 | 4.7 | 4.2 | 3.8 | 3.2 | |
| KDN 50-125/135 | | 6 | 5.8 | 5.7 | 5.5 | 5.2 | 4.8 | 4.3 | 3.8 | |
| KDN 50-125/139 | | 6.3 | 6.2 | 6.1 | 5.9 | 5.6 | 5.2 | 4.8 | 4.2 | |
| KDN 50-125/144 | | 6.7 | 6.7 | 6.6 | 6.4 | 6.2 | 5.8 | 5.3 | 4.8 | 4.1 |
| KDN 50-160/137 | | 6 | 6 | 5.9 | 5.6 | 5.2 | 4.8 | | | |
| KDN 50-160/145 | | 6.8 | 6.7 | 6.7 | 6.5 | 6.2 | 5.8 | | | |
| KDN 50-160/153 | | 7.6 | 7.6 | 7.5 | 7.4 | 7.2 | 6.7 | | | |
| KDN 50-160/161 | | 8.4 | 8.4 | 8.3 | 8.2 | 8.1 | 7.7 | | | |
| KDN 50-160/169 | | 9.4 | 9.3 | 9.2 | 9.2 | 9.1 | 8.8 | | | |
| KDN 50-160/177 | | 10.4 | 10.3 | 10.3 | 10.2 | 10.1 | 9.95 | | | |
| KDN 50-200/170 | | 9.5 | 9.3 | 9.2 | 8.8 | 8 | 6.85 | | | |
| KDN 50-200/180 | | 10.6 | 10.6 | 10.5 | 10.1 | 9.5 | 8.6 | 7.3 | | |
| KDN 50-200/190 | | 11.8 | 11.7 | 11.6 | 11.4 | 10.8 | 10.1 | 8.9 | | |
| KDN 50-200/200 | | 13.1 | 13 | 13 | 12.8 | 12.3 | 11.6 | 10.6 | 9.4 | |
| KDN 50-200/210 | | 14.6 | 14.6 | 14.5 | 14.4 | 13.9 | 13.2 | 12.2 | 11 | |
| KDN 50-200/219 | | 16 | 16 | 16 | 15.9 | 15.4 | 14.2 | 13.8 | 12.7 | 11.4 |
| KDN 50-250/220 | | 15.9 | 15.7 | 15.6 | 15.4 | 14.9 | 13.8 | 12.4 | 10.5 | xxx |
| KDN 50-250/230 | | 17.4 | 17.3 | 17.2 | 17 | 16.5 | 15.5 | 14.2 | 12.6 | 10.3 |
| KDN 50-250/240 | | 19 | 19 | 19 | 18.8 | 18.2 | 17.4 | 16.2 | 14.7 | 12.4 |
| KDN 50-250/250 | | 20.8 | 20.8 | 20.7 | 20.6 | 20.1 | 19.2 | 18.1 | 17 | 14.8 |
| KDN 50-250/263 | | 23 | 23 | 22.9 | 22.8 | 22.5 | 21.7 | 20.6 | 19.4 | 17.5 |

KDN - 4 POLES

STANDARDISED CENTRIFUGAL ELECTRIC PUMPS

SELECTION TABLE - KDN 65

| MODEL | Q=m ³ /h | 0 | 18 | 24 | 30 | 36 | 42 | 48 | 54 | 60 | 66 | 72 | 78 | 84 | 90 | 102 | 114 | |
|--------------------|---------------------|------|------|------|------|------|------|------|------|------|------|------|------|------|------|------|------|--|
| | Q=l/min | 0 | 300 | 400 | 500 | 600 | 700 | 800 | 900 | 1000 | 1100 | 1200 | 1300 | 1400 | 1500 | 1700 | 1900 | |
| KDN 65-125/120/110 | H (m) | 3.75 | | 3.5 | 3.3 | 3.2 | 2.9 | 2.7 | 2.3 | 1.9 | | | | | | | | |
| KDN 65-125/120 | | 4.25 | | 3.9 | 3.8 | 3.6 | 3.3 | 3.1 | 2.7 | 2.3 | | | | | | | | |
| KDN 65-125/125 | | 4.7 | | 4.4 | 4.25 | 4.1 | 3.8 | 3.6 | 3.25 | 2.8 | | | | | | | | |
| KDN 65-125/130 | | 5.1 | | 4.9 | 4.75 | 4.6 | 4.3 | 4.1 | 3.8 | 3.3 | 2.8 | | | | | | | |
| KDN 65-125/135 | | 5.6 | | 5.4 | 5.3 | 5.2 | 4.9 | 4.7 | 4.3 | 3.9 | 3.5 | 3 | | | | | | |
| KDN 65-125/140 | | 6 | | 5.9 | 5.8 | 5.7 | 5.5 | 5.2 | 4.9 | 4.5 | 4.1 | 3.6 | | | | | | |
| KDN 65-125/144 | | 6.4 | | 6.35 | 6.25 | 6.2 | 5.9 | 5.7 | 5.4 | 5 | 4.65 | 4.2 | 3.7 | | | | | |
| KDN 65-160/137 | | 5.8 | | 5.7 | 5.4 | 5.2 | 4.75 | 4.3 | 3.7 | | | | | | | | | |
| KDN 65-160/145 | | 6.5 | | 6.5 | 6.3 | 6 | 5.7 | 5.3 | 4.75 | 4.1 | | | | | | | | |
| KDN 65-160/153 | | 7.3 | | 7.2 | 7.2 | 6.9 | 6.7 | 6.3 | 5.8 | 5.25 | | | | | | | | |
| KDN 65-160/161 | | 8.2 | | 8.1 | 8.1 | 7.9 | 7.7 | 7.3 | 6.85 | 6.3 | 5.8 | | | | | | | |
| KDN 65-160/169 | | 9.1 | | 9.1 | 9 | 8.9 | 8.7 | 8.4 | 8 | 7.6 | 7.1 | 6.4 | | | | | | |
| KDN 65-160/177 | | 10 | | 10 | 9.9 | 9.8 | 9.7 | 9.45 | 9.1 | 8.7 | 8.2 | 7.5 | | | | | | |
| KDN 65-200/170 | | 9.3 | 9.3 | 9.2 | 9.2 | 9 | 8.5 | 7.9 | 7.1 | 6.3 | | | | | | | | |
| KDN 65-200/180 | | 10.4 | 10.4 | 10.4 | 10.3 | 10.2 | 10 | 9.5 | 8.8 | 8.1 | | | | | | | | |
| KDN 65-200/190 | | 12.1 | 12 | 12 | 12 | 11.9 | 11.5 | 11.1 | 10.5 | 9.8 | 8.8 | | | | | | | |
| KDN 65-200/200 | | 13.3 | 13.3 | 13.3 | 13.2 | 13.1 | 13 | 12.8 | 12.3 | 11.6 | 10.8 | | | | | | | |
| KDN 65-200/210 | | 14.8 | 14.7 | 14.7 | 14.7 | 14.6 | 14.6 | 14.3 | 13.8 | 13.4 | 12.7 | 12 | | | | | | |
| KDN 65-200/219 | | 16.2 | 16.2 | 16.2 | 16.1 | 16 | 15.9 | 15.8 | 15.4 | 15 | 14.4 | 13.5 | 12.7 | | | | | |
| KDN 65-250/220 | | 15.8 | | 15.8 | 15.5 | 15.1 | 14.5 | 14 | 13.2 | 12 | 10.7 | | | | | | | |
| KDN 65-250/230 | | 17.4 | | 17.4 | 17.2 | 16.8 | 16.3 | 15.7 | 15 | 14.1 | 12.7 | 11.4 | | | | | | |
| KDN 65-250/240 | | 19 | | 19 | 18.9 | 18.5 | 18.1 | 17.5 | 16.8 | 16 | 14.7 | 13.6 | | | | | | |
| KDN 65-250/250 | | 20.7 | | 20.7 | 20.6 | 20.4 | 20 | 19.5 | 18.8 | 18 | 17 | 15.9 | 14.5 | | | | | |
| KDN 65-250/263 | | 23.2 | | 23 | 23 | 22.9 | 22.5 | 22.2 | 21.6 | 20.8 | 19.8 | 18.6 | 17.4 | 16 | | | | |
| KDN 65-315/260 | | 22.3 | | 22.2 | 22.1 | 22 | 21.5 | 21 | 20.5 | 20 | 19.2 | 18.4 | 17 | 16 | 15 | | | |
| KDN 65-315/275 | | 25.1 | | 25.1 | 25 | 24.8 | 24.6 | 24.1 | 23.5 | 23 | 22.5 | 21.5 | 20.5 | 19.4 | 18.1 | | | |
| KDN 65-315/290 | | 28.2 | | 28.2 | 28.1 | 28 | 27.8 | 27.3 | 27 | 26.5 | 25.5 | 25 | 24 | 23.1 | 22 | 19.5 | | |
| KDN 65-315/305 | | 31.7 | | 31.5 | 31.4 | 31.4 | 31.3 | 31.2 | 30.8 | 30.4 | 29.6 | 29 | 28 | 27.2 | 26.1 | 23.5 | | |
| KDN 65-315/320 | | 35.7 | | 35.4 | 35.3 | 35.2 | 35.1 | 35 | 34.8 | 34.5 | 33.8 | 33.5 | 32.5 | 31.5 | 30.8 | 28 | 24.8 | |

CENTRIFUGAL PUMPS

KDN - 4 POLES

STANDARDISED CENTRIFUGAL ELECTRIC PUMPS

SELECTION TABLE - KDN 80

| MODEL | Q=m ³ /h | 0 | 42 | 48 | 54 | 60 | 66 | 72 | 78 | 84 | 90 | 102 | 114 | 120 | 150 | 180 |
|--------------------|---------------------|------|------|------|------|------|------|------|------|------|------|------|------|------|------|------|
| | Q=l/min | 0 | 700 | 800 | 900 | 1000 | 1100 | 1200 | 1300 | 1400 | 1500 | 1700 | 1900 | 2000 | 2500 | 3000 |
| KDN 80-160/147/127 | H (m) | 5.7 | 5.4 | 5.25 | 5.05 | 4.8 | 4.6 | 4.35 | 4.15 | 3.85 | 3.6 | 3.1 | 2.5 | 2.2 | | |
| KDN 80-160/153/136 | | 6.4 | 6.2 | 6.05 | 5.85 | 5.7 | 5.4 | 5.15 | 4.8 | 4.65 | 4.4 | 3.85 | 3.3 | 3 | | |
| KDN 80-160/153 | | 7.3 | 7.1 | 6.9 | 6.7 | 6.5 | 6.3 | 6 | 5.75 | 5.4 | 5.2 | 4.55 | 3.9 | 3.6 | | |
| KDN 80-160/161 | | 8.2 | 8 | 7.9 | 7.75 | 7.5 | 7.3 | 7.05 | 6.8 | 6.5 | 6.25 | 5.6 | 4.9 | 4.6 | | |
| KDN 80-160/169 | | 9.1 | 9 | 8.85 | 8.7 | 8.6 | 8.35 | 8.1 | 7.85 | 7.6 | 7.3 | 6.75 | 6 | 5.7 | | |
| KDN 80-160/177 | | 10 | 9.9 | 9.85 | 9.8 | 9.7 | 9.5 | 9.3 | 9.1 | 8.85 | 8.7 | 8.1 | 7.25 | 6.9 | | |
| KDN 80-200/170 | | 9.2 | 9.1 | 9 | 8.7 | 8.5 | 8.2 | 7.8 | 7.5 | 7.1 | 6.7 | 5.6 | | | | |
| KDN 80-200/180 | | 10.3 | 10.2 | 10.2 | 10 | 9.9 | 9.6 | 9.2 | 9 | 8.6 | 8.2 | 7.2 | | | | |
| KDN 80-200/190 | | 11.4 | 11.4 | 11.3 | 11.2 | 11.1 | 11 | 10.7 | 10.5 | 10.1 | 9.8 | 8.7 | 6.8 | | | |
| KDN 80-200/200 | | 12.7 | 12.6 | 12.6 | 12.6 | 12.5 | 12.4 | 12.3 | 12 | 11.6 | 11.4 | 10.5 | 9.4 | 8.8 | | |
| KDN 80-200/210 | | 14.1 | 14 | 14 | 14 | 13.9 | 13.8 | 13.7 | 13.6 | 13.3 | 13.1 | 12.1 | 11.2 | 10.6 | | |
| KDN 80-200/222 | | 15.9 | 15.9 | 15.8 | 15.7 | 15.6 | 15.6 | 15.5 | 15.4 | 15.3 | 15 | 14.3 | 13.4 | 12.8 | | |
| KDN 80-250/220 | | 16 | 15.9 | 15.8 | 15.7 | 15.6 | 15.5 | 15.2 | 14.9 | 14.5 | 13.9 | 12.8 | | | | |
| KDN 80-250/230 | | 17.3 | 17.3 | 17.2 | 17.1 | 17 | 16.9 | 16.8 | 16.5 | 16 | 15.5 | 14.3 | 12.4 | | | |
| KDN 80-250/240 | | 19 | 19 | 19 | 18.9 | 18.8 | 18.7 | 18.6 | 18.4 | 18 | 17.6 | 16.6 | 15.3 | 14.6 | | |
| KDN 80-250/250 | | 20.8 | 20.7 | 20.7 | 20.7 | 20.6 | 20.5 | 20.4 | 20.3 | 19.9 | 19.6 | 18.6 | 17.4 | 16.8 | | |
| KDN 80-250/260 | | 22.6 | 22.5 | 22.5 | 22.4 | 22.3 | 22.2 | 22.1 | 22 | 21.8 | 21.4 | 20.6 | 19.6 | 19 | 15.1 | |
| KDN 80-250/270 | | 24.5 | 24.4 | 24.4 | 24.4 | 24.3 | 24.2 | 24.1 | 24 | 23.7 | 23.3 | 22.4 | 21.4 | 20.7 | 16.3 | |
| KDN 80-315/275 | | 24.8 | | 24.8 | 24.8 | 24.7 | 24.6 | 24.5 | 24.4 | 24.3 | 24 | 23 | 21.4 | 20.5 | | |
| KDN 80-315/290 | | 27.8 | | 27.8 | 27.8 | 27.7 | 27.7 | 27.6 | 27.6 | 27.5 | 27.4 | 26.5 | 25 | 24.6 | 19.1 | |
| KDN 80-315/305 | | 31.4 | | 31.4 | 31.3 | 31.2 | 31.2 | 31.2 | 31.2 | 31.2 | 30.9 | 30 | 29 | 28.5 | 24 | |
| KDN 80-315/320 | | 34.8 | | 34.7 | 34.6 | 34.6 | 34.5 | 34.4 | 34.3 | 34 | 33.9 | 33.8 | 33.2 | 32.8 | 28.8 | |
| KDN 80-315/334 | | 38.3 | | 38.2 | 38.2 | 38.2 | 38.2 | 38.2 | 38.1 | 38 | 37.9 | 37.6 | 37 | 36.9 | 33.1 | 28 |

KDN - 4 POLES

STANDARDISED CENTRIFUGAL ELECTRIC PUMPS

SELECTION TABLE - KDN 100

| MODEL | Q=m ³ /h | 0 | 60 | 66 | 72 | 78 | 84 | 90 | 102 | 114 | 120 | 150 | 180 | 210 | 240 | |
|-----------------|---------------------|------|------|------|------|------|------|------|------|------|------|------|------|------|------|--|
| | Q=l/min | 0 | 1000 | 1100 | 1200 | 1300 | 1400 | 1500 | 1700 | 1900 | 2000 | 2500 | 3000 | 3500 | 4000 | |
| KDN 100-200/180 | H (m) | 10.1 | 10.1 | 10.1 | 10 | 9.9 | 9.7 | 9.5 | 9.1 | 8.5 | 8.3 | 7 | 5.4 | | | |
| KDN 100-200/190 | | 11.6 | 11.5 | 11.4 | 11.3 | 11.2 | 11.1 | 11 | 10.5 | 10.1 | 10 | 8.6 | 7 | | | |
| KDN 100-200/200 | | 12.9 | 12.8 | 12.8 | 12.8 | 12.7 | 12.6 | 12.5 | 12.2 | 11.8 | 11.6 | 10.4 | 8.8 | | | |
| KDN 100-200/210 | | 14.3 | 14.2 | 14.2 | 14.2 | 14.2 | 14.1 | 14 | 13.8 | 13.5 | 13.3 | 12.3 | 10.7 | 9 | | |
| KDN 100-200/219 | | 16 | 15.7 | 15.7 | 15.6 | 15.6 | 15.5 | 15.5 | 15.3 | 15.1 | 15 | 14 | 12.5 | 10.8 | | |
| KDN 100-250/220 | | 15.2 | 14.9 | 14.9 | 14.9 | 14.8 | 14.7 | 14.6 | 14.3 | 13.7 | 13.4 | 11.4 | | | | |
| KDN 100-250/230 | | 16.9 | 16.7 | 16.7 | 16.6 | 16.5 | 16.4 | 16.3 | 16.1 | 15.7 | 15.3 | 13.6 | 11.1 | | | |
| KDN 100-250/240 | | 18.5 | 18.3 | 18.3 | 18.3 | 18.2 | 18.1 | 18 | 17.9 | 17.6 | 17.4 | 15.7 | 13.3 | | | |
| KDN 100-250/250 | | 20.1 | 20 | 20 | 19.9 | 19.8 | 19.7 | 19.6 | 19.5 | 19.4 | 19.2 | 17.6 | 15.4 | | | |
| KDN 100-250/260 | | 22.3 | 22.1 | 22.1 | 22.1 | 22 | 21.9 | 21.8 | 21.7 | 21.5 | 21.4 | 19.8 | 17.7 | 15.1 | | |
| KDN 100-250/270 | | 24.3 | 24.3 | 24.3 | 24.3 | 24.3 | 24.3 | 24.2 | 24.1 | 23.7 | 23.5 | 22.1 | 20.1 | 17.3 | | |
| KDN 100-315/275 | | 25.1 | 25 | 25 | 25 | 24.9 | 24.8 | 24.7 | 24.6 | 24.4 | 24 | 22 | 19 | | | |
| KDN 100-315/290 | | 28 | 27.9 | 27.9 | 27.9 | 27.9 | 27.8 | 27.7 | 27.6 | 27.5 | 27 | 25.5 | 23 | | | |
| KDN 100-315/305 | | 31.3 | 31.1 | 31.1 | 31.1 | 31 | 30.9 | 30.8 | 30.7 | 30.6 | 30.5 | 29 | 27 | 24 | | |
| KDN 100-315/320 | | 34.5 | 34.4 | 34.4 | 34.4 | 34.4 | 34.4 | 34.3 | 34.2 | 34.1 | 34 | 33 | 31 | 28.1 | | |
| KDN 100-315/334 | | 38.2 | 38.2 | 38.1 | 38.1 | 38.1 | 38 | 38 | 37.7 | 37.5 | 37.3 | 36.5 | 34.8 | 32 | 28.8 | |

SELECTION TABLE - KDN 125

| MODEL | Q=m ³ /h | 0 | 102 | 114 | 120 | 150 | 180 | 210 | 240 | 270 | 300 | 330 | 360 | 390 | 420 | |
|-----------------|---------------------|------|------|------|------|------|------|------|------|------|------|------|------|------|------|--|
| | Q=l/min | 0 | 1700 | 1900 | 2000 | 2500 | 3000 | 3500 | 4000 | 4500 | 5000 | 5500 | 6000 | 6500 | 7000 | |
| KDN 125-250/220 | H (m) | 15 | 14.9 | 14.9 | 14.8 | 14.5 | 14 | 13 | 11.8 | 10.5 | 9.2 | | | | | |
| KDN 125-250/230 | | 16.6 | 16.6 | 16.6 | 16.5 | 16.3 | 15.6 | 14.8 | 13.8 | 12.5 | 12.3 | 9.5 | | | | |
| KDN 125-250/240 | | 18.2 | 18.1 | 18.1 | 18.1 | 18 | 17.7 | 16.8 | 15.8 | 14.5 | 13.3 | 11.6 | 10.1 | | | |
| KDN 125-250/250 | | 19.9 | 19.8 | 19.8 | 19.7 | 19.6 | 19.4 | 18.7 | 17.8 | 16.6 | 15.5 | 14 | 12.3 | | | |
| KDN 125-250/260 | | 21.7 | 21.7 | 21.6 | 21.5 | 21.4 | 21.3 | 20.6 | 19.9 | 18 | 17.7 | 16.3 | 14.6 | 13 | | |
| KDN 125-250/269 | | 23.9 | 23.9 | 23.9 | 23.8 | 23.6 | 23.2 | 22.7 | 22.1 | 22.2 | 20.2 | 19 | 17.5 | 15.6 | 14 | |

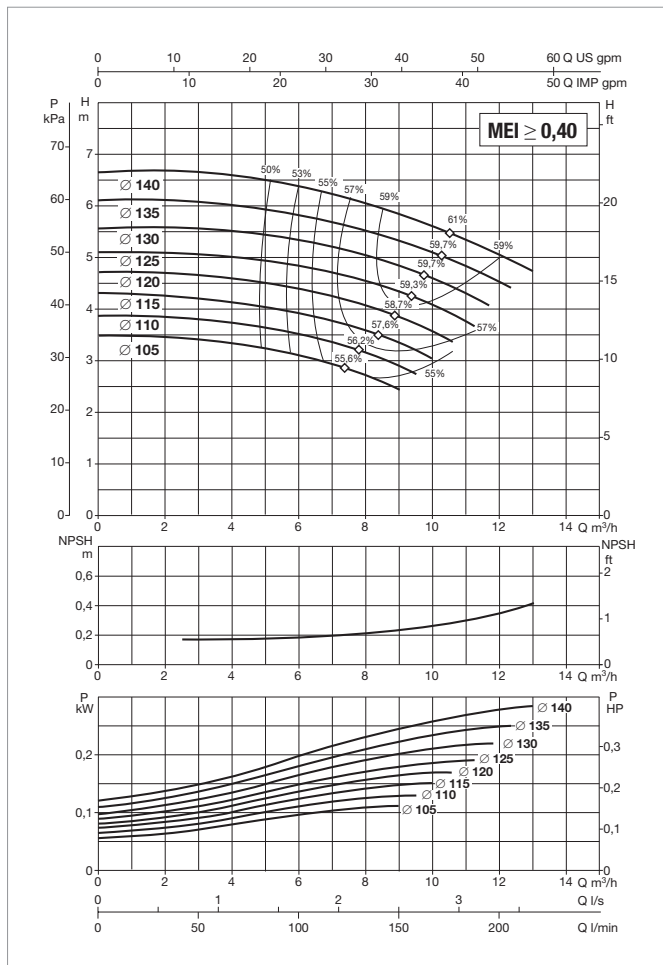
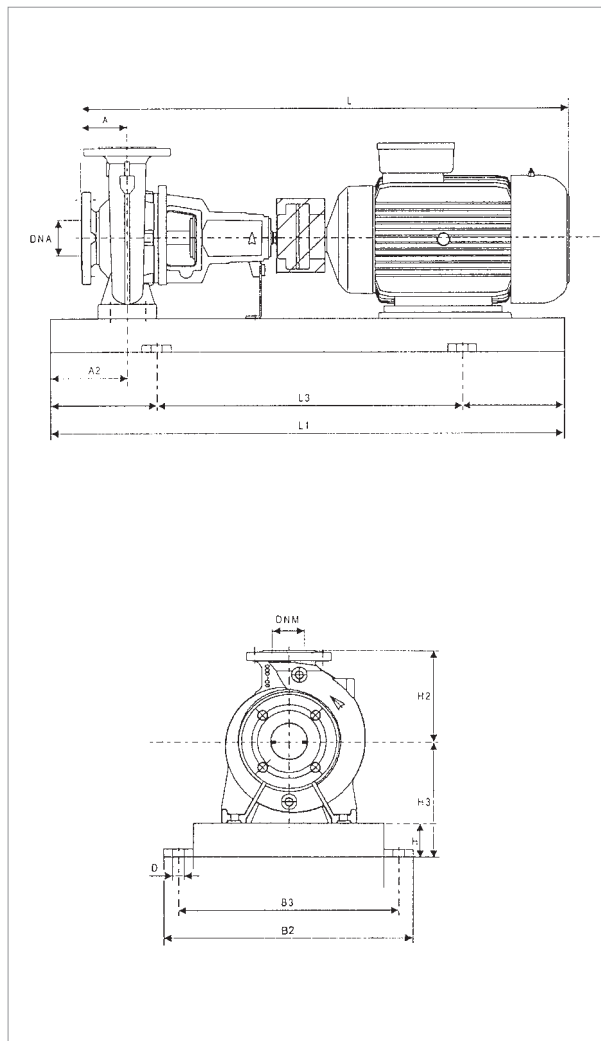
SELECTION TABLE - KDN 150

| MODEL | Q=m ³ /h | 0 | 102 | 114 | 120 | 150 | 180 | 210 | 240 | 270 | 300 | 330 | 360 | 390 | 420 | |
|---------------------|---------------------|------|------|------|------|------|------|------|------|------|------|------|------|------|------|--|
| | Q=l/min | 0 | 1700 | 1900 | 2000 | 2500 | 3000 | 3500 | 4000 | 4500 | 5000 | 5500 | 6000 | 6500 | 7000 | |
| KDN 150-200/210/170 | H (m) | 8.9 | 8.9 | 8.9 | 8.8 | 8.7 | 8.6 | 8.3 | 7.9 | 7.4 | 6.8 | 6.2 | 5.4 | 4.5 | | |
| KDN 150-200/218/182 | | 10.4 | 10.4 | 10.4 | 10.3 | 10.2 | 9.9 | 9.5 | 9.1 | 8.6 | 8.1 | 7.4 | 6.6 | 5.8 | | |
| KDN 150-200/218/200 | | 11.4 | 11.4 | 11.4 | 11.4 | 11.2 | 10.9 | 10.6 | 10.1 | 9.7 | 9.2 | 8.5 | 7.8 | 6.9 | 5.9 | |
| KDN 150-200/218 | | 12.9 | 12.7 | 12.7 | 12.6 | 12.4 | 12.1 | 11.7 | 11.2 | 10.7 | 10.2 | 9.6 | 8.8 | 8 | 7.1 | |
| KDN 150-200/224 | | 13.8 | 13.6 | 13.6 | 13.5 | 13.3 | 13 | 12.6 | 12.2 | 11.7 | 11.2 | 10.6 | 9.9 | 9.2 | 8.2 | |

KDN 32-125.1 - 4 POLES - STANDARDISED CENTRIFUGAL ELECTRIC PUMPS FOR AIR CONDITIONING, REFRIGERATION, IRRIGATION, DECANTING, PRESSURISATION SYSTEMS, AND INDUSTRIAL APPLICATIONS

Pumped liquid temperature range: from -10 °C to +140 °C - Maximum ambient temperature: +40°C

= 1450 1/min



See hydraulic efficiency details on page 291.

The performance curves are based on kinematic viscosity values = 1 mm²/s and density equal to 1000 kg/m³. Curve tolerance according to ISO 9906.

| MODEL | ELECTRICAL DATA | | | |
|--------------|-----------------------|------------|----------------------|-----------|
| | POWER (kW) 4 POLES | MOTOR SIZE | POWER INPUT 50 Hz | In A |
| KDN 32-125.1 | 0.37 | MEC 71 | 3 x 230 - 400 V ~ | 1.7/0.975 |
| | 0.55 | MEC 80 | 3 x 230 - 400 V ~ | 2.6/1.5 |

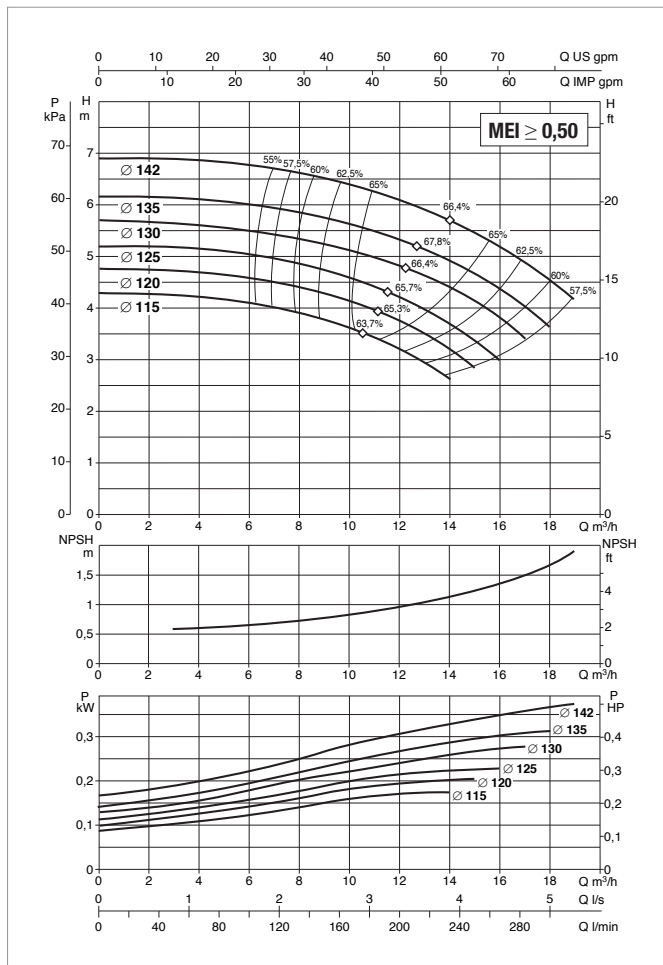
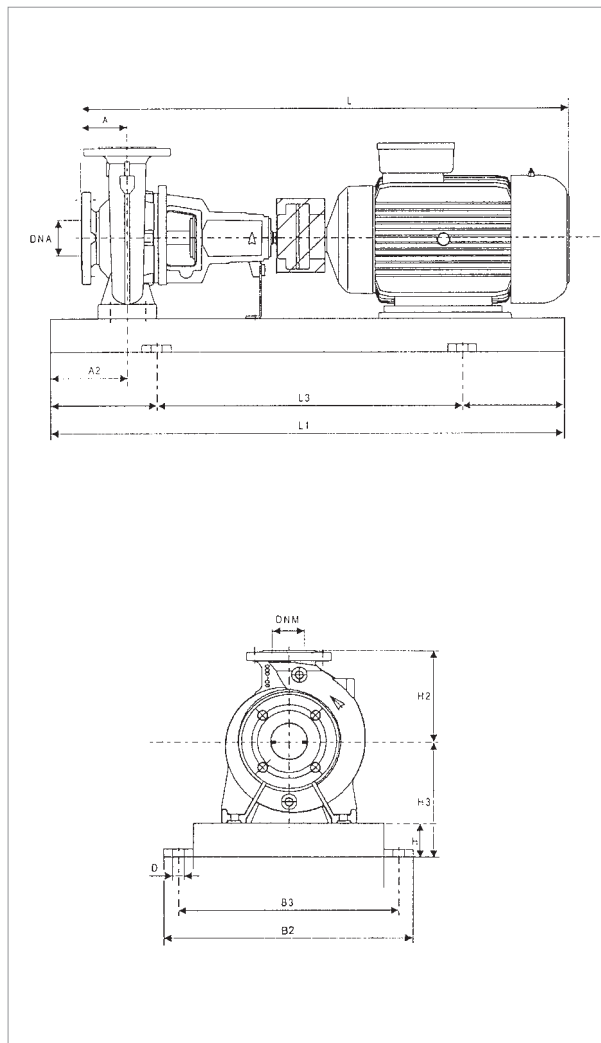
| MODEL | POWER (kW) | UNIT DIMENSIONS (mm) | | | | | | | | | | FLANGE DIMENSIONS (mm) | | STANDARD COUPLING | | SPACER COUPLING | | REF. |
|--------------|------------|----------------------|----|-----|----|-----|-----|-----|-----|-----|----|------------------------|-----|-------------------|-----------|-----------------|-----------|------|
| | | A | A2 | H2 | H | H3 | L1 | L3 | B2 | B3 | D | DNA | DNM | L | WEIGHT kg | L | WEIGHT kg | |
| KDN 32-125.1 | 0.37 | 80 | 60 | 140 | 65 | 177 | 800 | 540 | 360 | 320 | 19 | 50 | 32 | 730 | 81 | 830 | 86 | 2 |
| | 0.55 | 80 | 60 | 140 | 65 | 177 | 800 | 540 | 360 | 320 | 19 | 50 | 32 | 730 | 83 | 830 | 88 | 2 |

Dimension and electrical data based on sizing definition following the instructions on page 96.

KDN 32-125 - 4 POLES - STANDARDISED CENTRIFUGAL ELECTRIC PUMPS FOR AIR CONDITIONING, REFRIGERATION, IRRIGATION, DECANTING, PRESSURISATION SYSTEMS, AND INDUSTRIAL APPLICATIONS

Pumped liquid temperature range: from -10 °C to +140 °C - Maximum ambient temperature: +40°C

= 1450 1/min



See hydraulic efficiency details on page 291.

The performance curves are based on kinematic viscosity values = 1 mm²/s and density equal to 1000 kg/m³. Curve tolerance according to ISO 9906.

| MODEL | ELECTRICAL DATA | | | | | |
|------------|-----------------|------------|-------------------|-----------|-----------|------------|
| | POWER (kW) | MOTOR SIZE | POWER INPUT 50 Hz | In A | | MOTOR TYPE |
| | 4 POLES | | | - | IE2 | |
| KDN 32-125 | 0.37 | MEC 71 | 3 x 230 - 400 V ~ | 1.7/0.975 | - | - |
| | 0.55 | MEC 80 | 3 x 230 - 400 V ~ | 2.6/1.5 | - | - |
| | 0.75 | MEC 80 | 3 x 230 - 400 V ~ | - | 3.57/2.06 | IE2 |

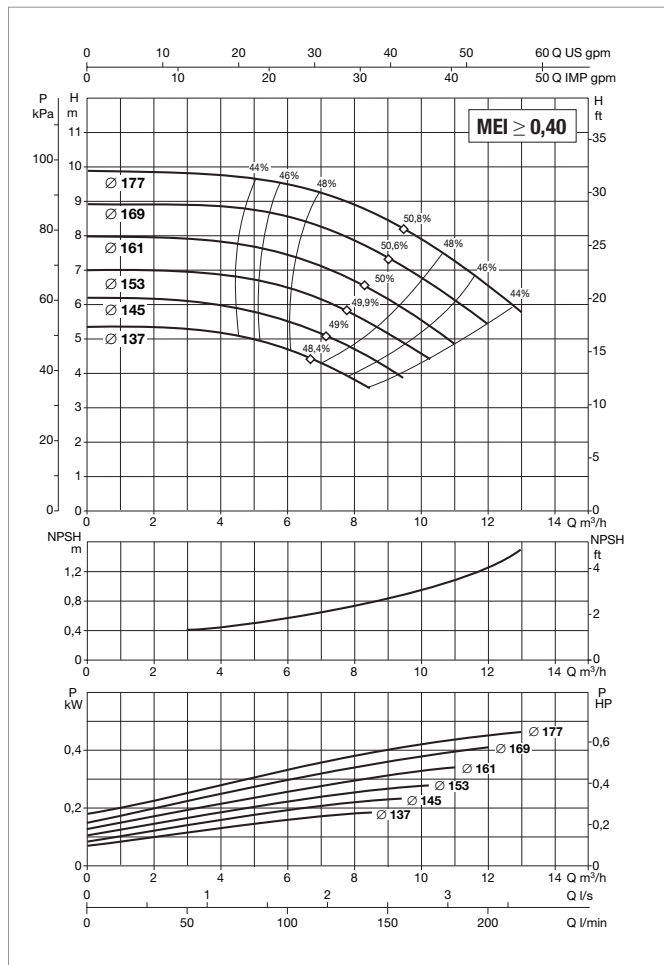
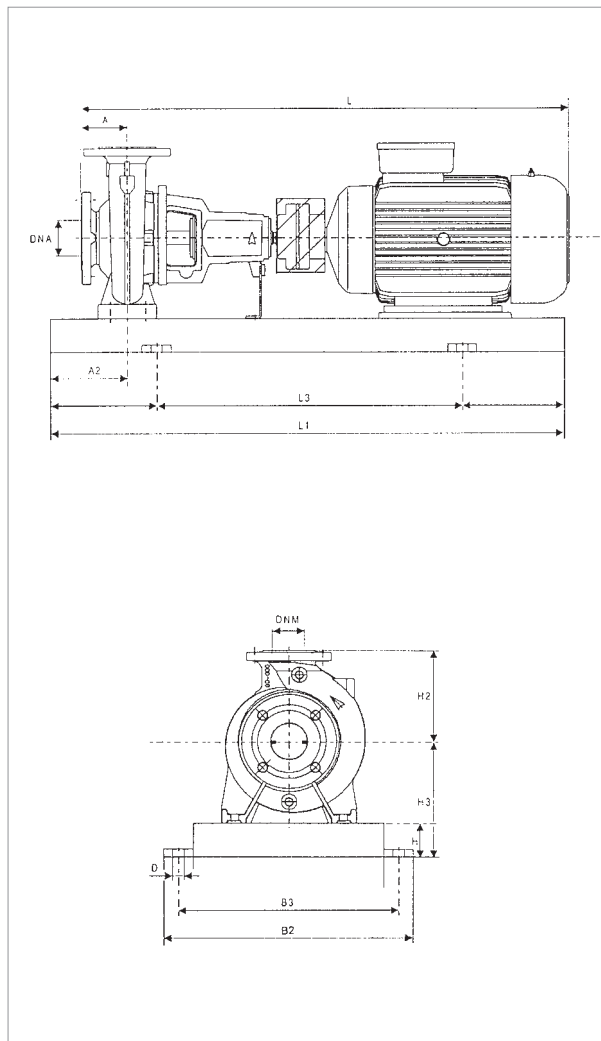
| MODEL | POWER (kW) | UNIT DIMENSIONS (mm) | | | | | | | | | | FLANGE DIMENSIONS (mm) | | STANDARD COUPLING | | | | SPACER COUPLING | | | | REF. |
|------------|------------|----------------------|-----------|-----|-----------|-----|-----------|-----|-----------|-----|-----------|------------------------|-----|-------------------|----|-----|----|-----------------|----|-----|----|------|
| | | A | A2 | H2 | H | H3 | L1 | L3 | B2 | B3 | D | DNA | DNM | - | | IE2 | | - | | IE2 | | |
| | | L | WEIGHT kg | L | WEIGHT kg | L | WEIGHT kg | L | WEIGHT kg | L | WEIGHT kg | | | | | | | | | | | |
| KDN 32-125 | 0.37 | 80 | 60 | 140 | 65 | 177 | 800 | 540 | 360 | 320 | 19 | 50 | 32 | 730 | 81 | - | - | 830 | 86 | - | - | 2 |
| | 0.55 | 80 | 60 | 140 | 65 | 177 | 800 | 540 | 360 | 320 | 19 | 50 | 32 | 730 | 83 | - | - | 830 | 88 | - | - | 2 |
| | 0.75 | 80 | 60 | 140 | 65 | 177 | 800 | 540 | 360 | 320 | 19 | 50 | 32 | - | - | 730 | 84 | - | - | 830 | 89 | 2 |

Dimension and electrical data based on sizing definition following the instructions on page 96.

KDN 32-160.1 - 4 POLES - STANDARDISED CENTRIFUGAL ELECTRIC PUMPS FOR AIR CONDITIONING, REFRIGERATION, IRRIGATION, DECANTING, PRESSURISATION SYSTEMS, AND INDUSTRIAL APPLICATIONS

Pumped liquid temperature range: from -10 °C to +140 °C - Maximum ambient temperature: +40°C

= 1450 1/min



See hydraulic efficiency details on page 291.

The performance curves are based on kinematic viscosity values = 1 mm²/s and density equal to 1000 kg/m³. Curve tolerance according to ISO 9906.

| MODEL | ELECTRICAL DATA | | | | | |
|--------------|-----------------|------------|-------------------|-----------|-----------|------------|
| | POWER (kW) | MOTOR SIZE | POWER INPUT 50 Hz | In A | | MOTOR TYPE |
| | 4 POLES | | | - | IE2 | |
| KDN 32-160.1 | 0.37 | MEC 71 | 3 x 230 - 400 V ~ | 1.7/0.975 | - | - |
| | 0.55 | MEC 80 | 3 x 230 - 400 V ~ | 2.6/1.5 | - | - |
| | 0.75 | MEC 80 | 3 x 230 - 400 V ~ | - | 3.57/2.07 | IE2 |

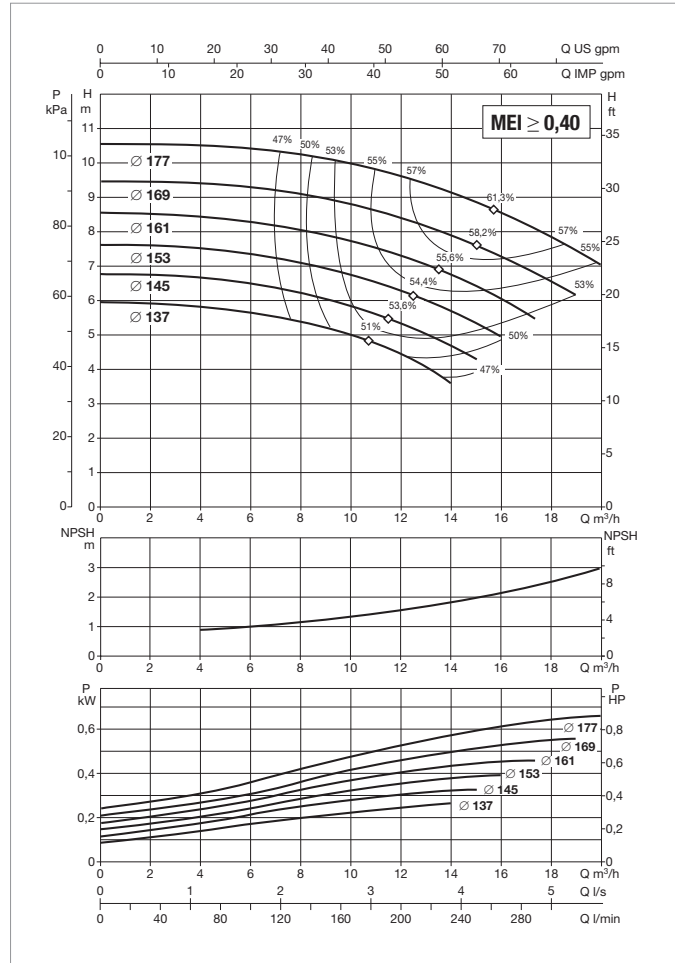
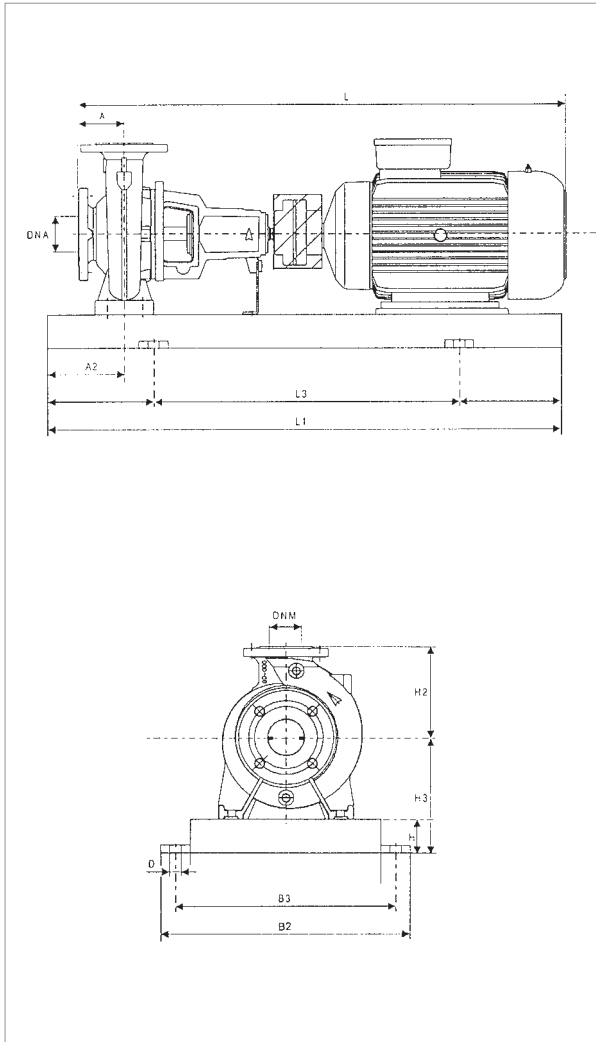
| MODEL | POWER (kW) | UNIT DIMENSIONS (mm) | | | | | | | | | | FLANGE DIMENSIONS (mm) | | STANDARD COUPLING | | | | SPACER COUPLING | | | | REF. |
|--------------|------------|----------------------|-----------|-----|-----------|-----|-----------|-----|-----------|-----|-----------|------------------------|-----------|-------------------|----|-----|----|-----------------|----|-----|----|------|
| | | A | A2 | H2 | H | H3 | L1 | L3 | B2 | B3 | D | DNA | DNM | - | | IE2 | | - | | IE2 | | |
| | | L | WEIGHT kg | L | WEIGHT kg | L | WEIGHT kg | L | WEIGHT kg | L | WEIGHT kg | L | WEIGHT kg | | | | | | | | | |
| KDN 32-160.1 | 0.37 | 80 | 60 | 160 | 65 | 197 | 800 | 540 | 360 | 320 | 19 | 50 | 32 | 730 | 83 | - | - | 830 | 88 | - | - | 2 |
| | 0.55 | 80 | 60 | 160 | 65 | 197 | 800 | 540 | 360 | 320 | 19 | 50 | 32 | 730 | 86 | - | - | 830 | 91 | - | - | 2 |
| | 0.75 | 80 | 60 | 160 | 65 | 197 | 800 | 540 | 360 | 320 | 19 | 50 | 32 | - | - | 730 | 86 | - | - | 830 | 91 | 2 |

Dimension and electrical data based on sizing definition following the instructions on page 96.

KDN 32-160 - 4 POLES - STANDARDISED CENTRIFUGAL ELECTRIC PUMPS FOR AIR CONDITIONING, REFRIGERATION, IRRIGATION, DECANTING, PRESSURISATION SYSTEMS, AND INDUSTRIAL APPLICATIONS

Pumped liquid temperature range: from -10 °C to +140 °C - Maximum ambient temperature: +40°C

= 1450 1/min



See hydraulic efficiency details on page 291.

The performance curves are based on kinematic viscosity values = 1 mm²/s and density equal to 1000 kg/m³. Curve tolerance according to ISO 9906.

| MODEL | ELECTRICAL DATA | | | | | |
|------------|-----------------|------------|-------------------|-----------|-----------|------------|
| | POWER (kW) | MOTOR SIZE | POWER INPUT 50 Hz | In A | | MOTOR TYPE |
| | 4 POLES | | | - | IE2 | |
| KDN 32-160 | 0.37 | MEC 71 | 3 x 230 - 400 V ~ | 1.7/0.975 | - | - |
| | 0.55 | MEC 80 | 3 x 230 - 400 V ~ | 2.6/1.5 | - | - |
| | 0.75 | MEC 80 | 3 x 230 - 400 V ~ | - | 3.57/2.07 | IE2 |
| | 1.1 | MEC 90S | 3 x 230 - 400 V ~ | - | 4.68/2.7 | IE2 |

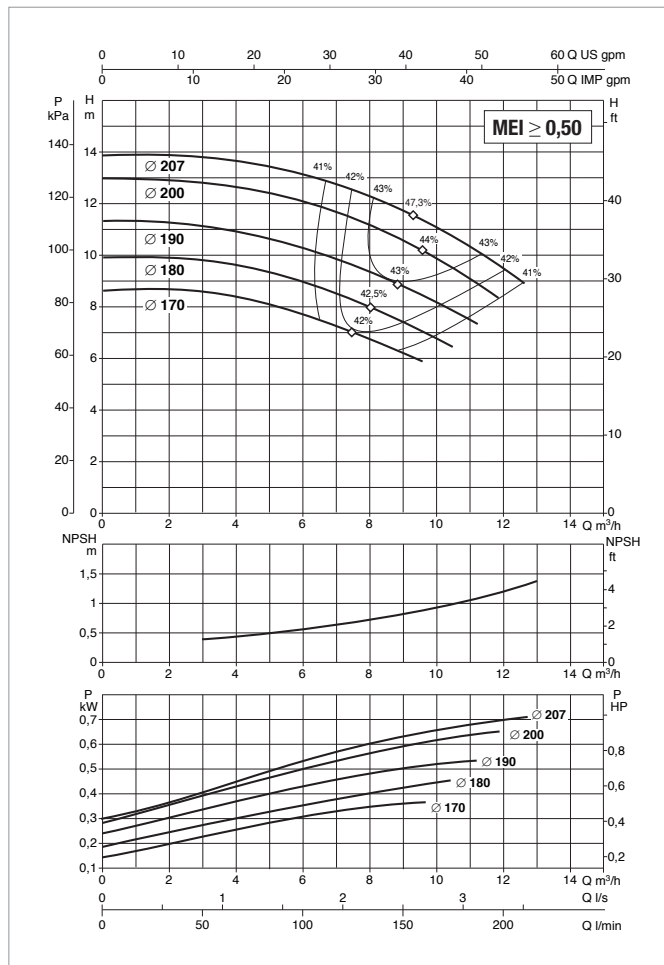
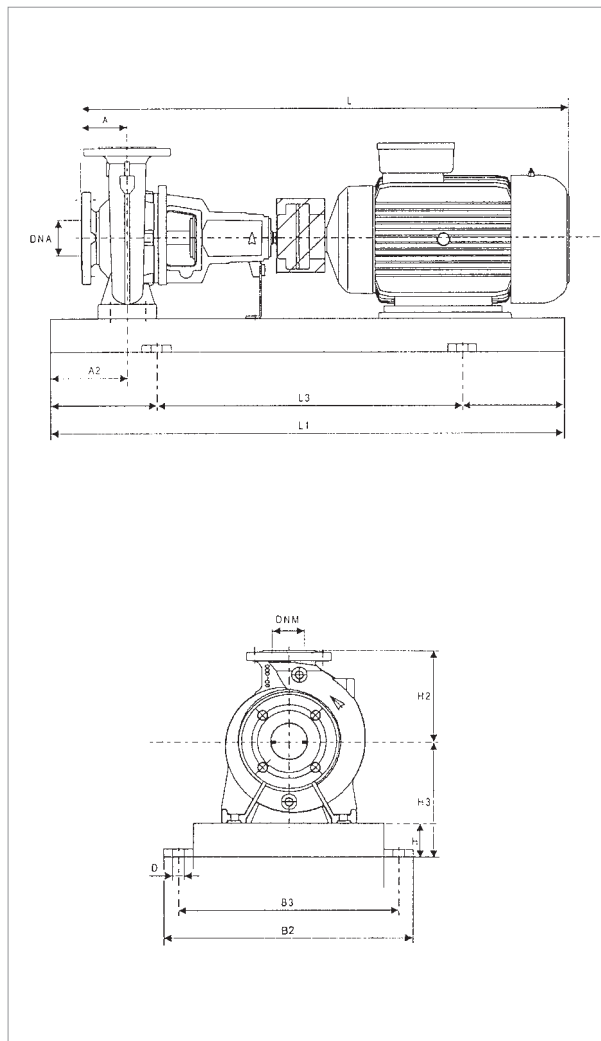
| MODEL | POWER (kW) | UNIT DIMENSIONS (mm) | | | | | | | | | | FLANGE DIMENSIONS (mm) | | STANDARD COUPLING | | | | SPACER COUPLING | | | | REF. |
|------------|------------|----------------------|----|-----|----|-----|-----|-----|-----|-----|----|------------------------|-----|-------------------|-----------|-----|-----------|-----------------|-----------|-----|-----------|------|
| | | A | A2 | H2 | H | H3 | L1 | L3 | B2 | B3 | D | DnA | DnM | - | | IE2 | | - | | IE2 | | |
| | | | | | | | | | | | | | | L | WEIGHT kg | L | WEIGHT kg | L | WEIGHT kg | L | WEIGHT kg | |
| KDN 32-160 | 0.37 | 80 | 60 | 160 | 65 | 197 | 800 | 540 | 360 | 320 | 19 | 50 | 32 | 730 | 83 | - | - | 830 | 88 | - | - | 2 |
| | 0.55 | 80 | 60 | 160 | 65 | 197 | 800 | 540 | 360 | 320 | 19 | 50 | 32 | 730 | 85 | - | - | 830 | 90 | - | - | 2 |
| | 0.75 | 80 | 60 | 160 | 65 | 197 | 800 | 540 | 360 | 320 | 19 | 50 | 32 | - | - | 730 | 86 | - | - | 830 | 91 | 2 |
| | 1.1 | 80 | 60 | 160 | 65 | 197 | 800 | 540 | 360 | 320 | 19 | 50 | 32 | - | - | 790 | 88 | - | - | 890 | 93 | 2 |

Dimension and electrical data based on sizing definition following the instructions on page 96.

KDN 32-200.1 - 4 POLES - STANDARDISED CENTRIFUGAL ELECTRIC PUMPS FOR AIR CONDITIONING, REFRIGERATION, IRRIGATION, DECANTING, PRESSURISATION SYSTEMS, AND INDUSTRIAL APPLICATIONS

Pumped liquid temperature range: from -10 °C to +140 °C - Maximum ambient temperature: +40°C

= 1450 1/min



See hydraulic efficiency details on page 291.

The performance curves are based on kinematic viscosity values = 1 mm²/s and density equal to 1000 kg/m³. Curve tolerance according to ISO 9906.

| MODEL | ELECTRICAL DATA | | | | | |
|--------------|-----------------|------------|-------------------|-----------|-----------|------------|
| | POWER (kW) | MOTOR SIZE | POWER INPUT 50 Hz | In A | | MOTOR TYPE |
| | 4 POLES | | | - | IE2 | |
| KDN 32-200.1 | 0.37 | MEC 71 | 3 x 230 - 400 V ~ | 1.7/0.975 | - | - |
| | 0.55 | MEC 80 | 3 x 230 - 400 V ~ | 2.6/1.5 | - | - |
| | 0.75 | MEC 80 | 3 x 230 - 400 V ~ | - | 3.57/2.09 | IE2 |
| | 1.1 | MEC 90S | 3 x 230 - 400 V ~ | - | 4.68/2.7 | IE2 |

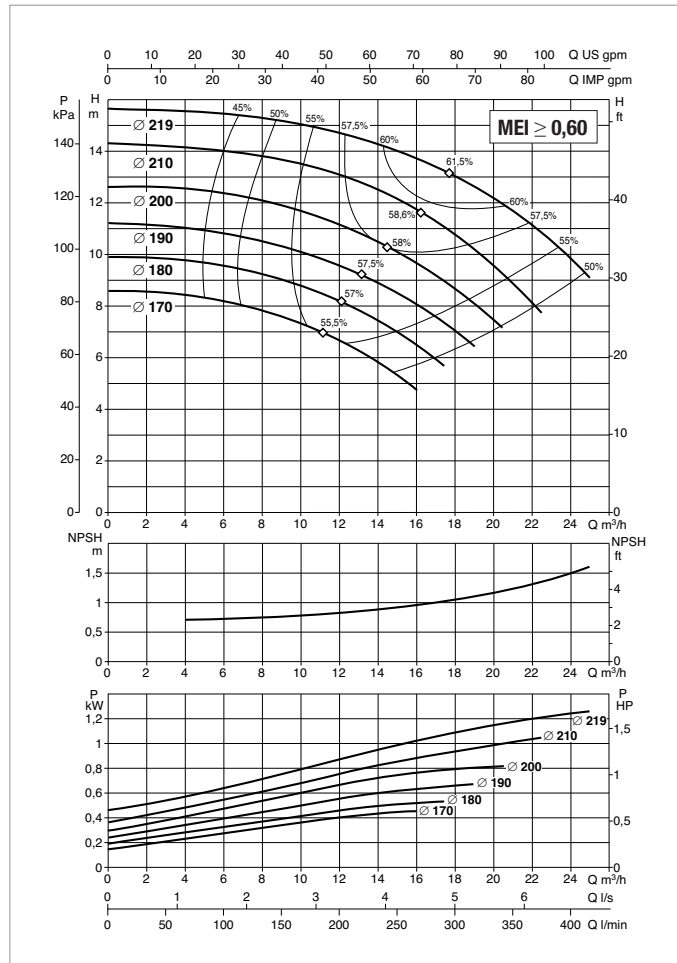
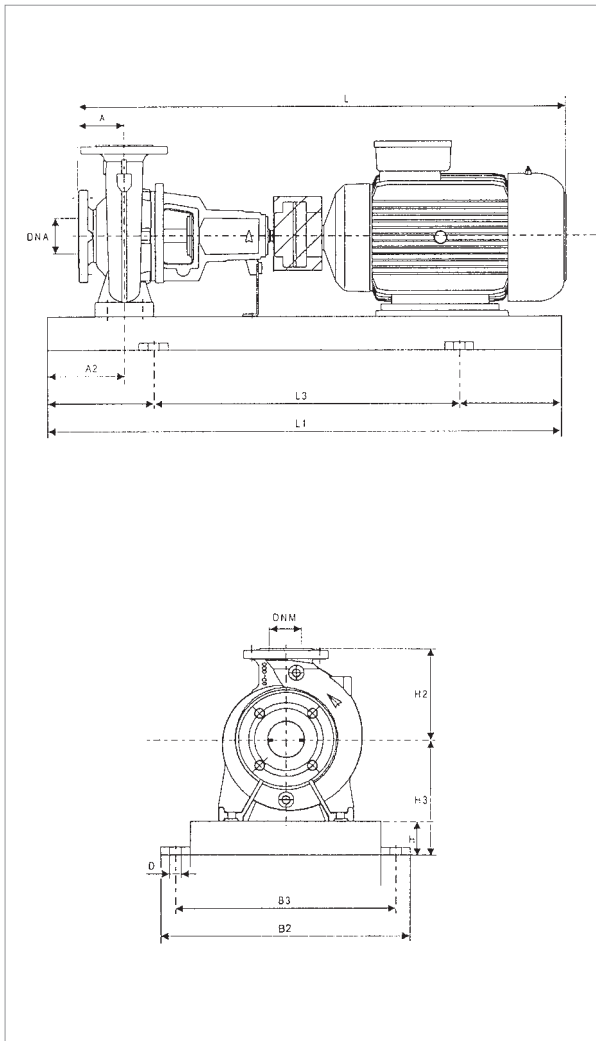
| MODEL | POWER (kW) | UNIT DIMENSIONS (mm) | | | | | | | | | | | FLANGE DIMENSIONS (mm) | | STANDARD COUPLING | | | | SPACER COUPLING | | | | REF. |
|--------------|------------|----------------------|-----------|-----|-----------|-----|-----------|-----|-----------|-----|----|-----|------------------------|-----|-------------------|-----|-----|-----|-----------------|-----|-----|---|------|
| | | A | A2 | H2 | H | H3 | L1 | L3 | B2 | B3 | D | DNA | DNM | - | | IE2 | | - | | IE2 | | | |
| | | L | WEIGHT kg | L | WEIGHT kg | L | WEIGHT kg | L | WEIGHT kg | | | | | | | | | | | | | | |
| KDN 32-200.1 | 0.37 | 80 | 60 | 180 | 65 | 225 | 800 | 540 | 360 | 320 | 19 | 50 | 32 | 730 | 87 | - | - | 830 | 92 | - | - | 2 | |
| | 0.55 | 80 | 60 | 180 | 65 | 225 | 800 | 540 | 360 | 320 | 19 | 50 | 32 | 730 | 89 | - | - | 830 | 94 | - | - | 2 | |
| | 0.75 | 80 | 60 | 180 | 65 | 225 | 800 | 540 | 360 | 320 | 19 | 50 | 32 | - | - | 730 | 101 | - | - | 830 | 106 | 2 | |
| | 1.1 | 80 | 60 | 180 | 65 | 225 | 800 | 540 | 360 | 320 | 19 | 50 | 32 | - | - | 790 | 106 | - | - | 890 | 111 | 2 | |

Dimension and electrical data based on sizing definition following the instructions on page 96.

KDN 32-200 - 4 POLES - STANDARDISED CENTRIFUGAL ELECTRIC PUMPS FOR AIR CONDITIONING, REFRIGERATION, IRRIGATION, DECANTING, PRESSURISATION SYSTEMS, AND INDUSTRIAL APPLICATIONS

Pumped liquid temperature range: from -10 °C to +140 °C - Maximum ambient temperature: +40°C

= 1450 1/min



See hydraulic efficiency details on page 291.

The performance curves are based on kinematic viscosity values = 1 mm²/s and density equal to 1000 kg/m³. Curve tolerance according to ISO 9906.

| MODEL | ELECTRICAL DATA | | | | | |
|------------|-----------------------|------------|----------------------|-----------|-----------|------------|
| | POWER (kW) 4 POLES | MOTOR SIZE | POWER INPUT 50 Hz | In A | | MOTOR TYPE |
| | | | | – | IE2 | |
| KDN 32-200 | 0.37 | MEC 71 | 3 x 230 - 400 V ~ | 1.7/0.975 | – | – |
| | 0.55 | MEC 80 | 3 x 230 - 400 V ~ | 2.6/1.5 | – | – |
| | 0.75 | MEC 80 | 3 x 230 - 400 V ~ | – | 3.57/2.08 | IE2 |
| | 1.1 | MEC 90S | 3 x 230 - 400 V ~ | – | 4.68/2.8 | IE2 |
| | 1.5 | MEC 90L | 3 x 230 - 400 V ~ | – | 6.24/3.6 | IE2 |
| | 2.2 | MEC 100L | 3 x 230 - 400 V ~ | – | 8.75/5.05 | IE2 |

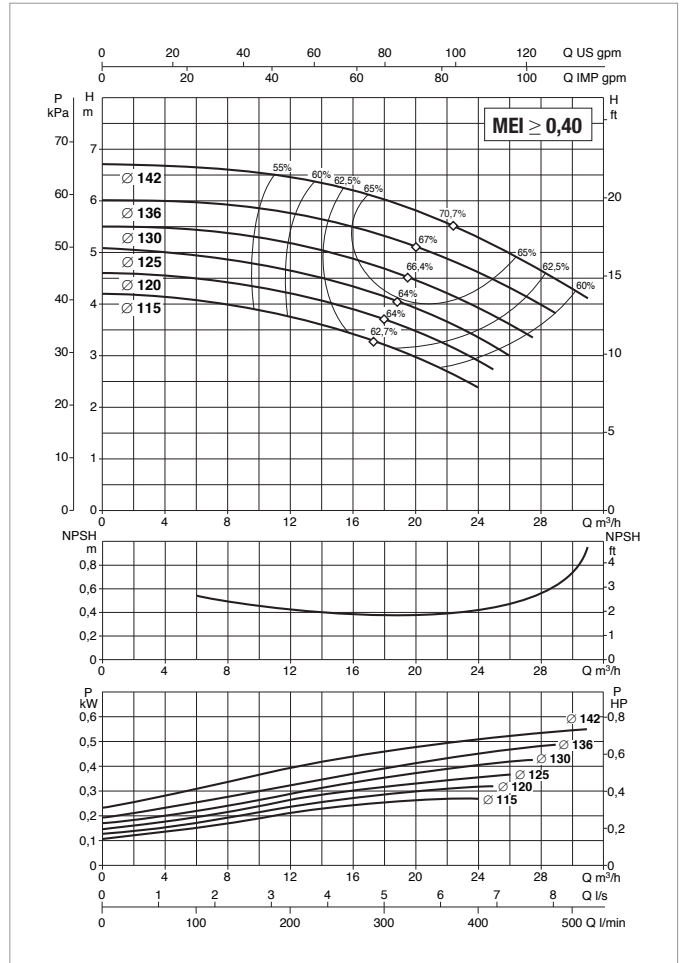
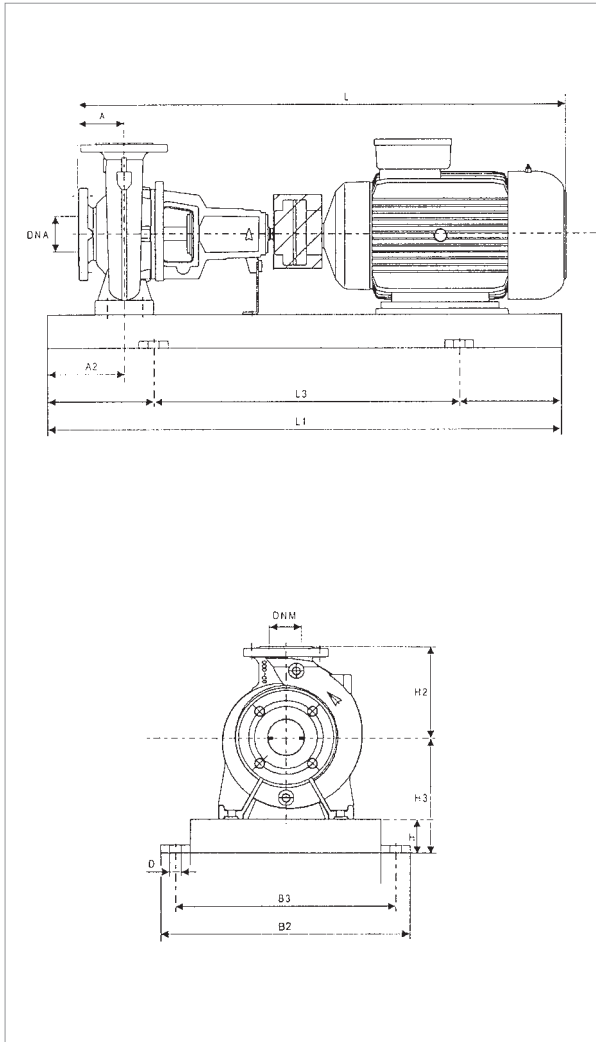
| MODEL | POWER (kW) | UNIT DIMENSIONS (mm) | | | | | | | | | | FLANGE DIMENSIONS (mm) | | STANDARD COUPLING | | | | SPACER COUPLING | | | | REF. |
|------------|------------|----------------------|----|-----|----|-----|-----|-----|-----|-----|----|------------------------|-----|-------------------|-----------|-----|-----------|-----------------|-----------|-----|-----------|------|
| | | A | A2 | H2 | H | H3 | L1 | L3 | B2 | B3 | D | DnA | DnM | – | | IE2 | | – | | IE2 | | |
| | | | | | | | | | | | | | | L | WEIGHT kg | L | WEIGHT kg | L | WEIGHT kg | L | WEIGHT kg | |
| KDN 32-200 | 0.37 | 80 | 60 | 180 | 65 | 225 | 800 | 540 | 360 | 320 | 19 | 50 | 32 | 730 | 87 | – | – | 830 | 92 | – | – | 2 |
| | 0.55 | 80 | 60 | 180 | 65 | 225 | 800 | 540 | 360 | 320 | 19 | 50 | 32 | 730 | 89 | – | – | 830 | 94 | – | – | 2 |
| | 0.75 | 80 | 60 | 180 | 65 | 225 | 800 | 540 | 360 | 320 | 19 | 50 | 32 | – | – | 730 | 90 | – | – | 830 | 95 | 2 |
| | 1.1 | 80 | 60 | 180 | 65 | 225 | 800 | 540 | 360 | 320 | 19 | 50 | 32 | – | – | 790 | 101 | – | – | 890 | 106 | 2 |
| | 1.5 | 80 | 60 | 180 | 65 | 225 | 900 | 600 | 390 | 350 | 19 | 50 | 32 | – | – | 830 | 101 | – | – | 930 | 106 | 3 |
| | 2.2 | 80 | 60 | 180 | 65 | 225 | 900 | 600 | 390 | 350 | 19 | 50 | 32 | – | – | 830 | 102 | – | – | 930 | 107 | 3 |

Dimension and electrical data based on sizing definition following the instructions on page 96.

KDN 40-125 - 4 POLES - STANDARDISED CENTRIFUGAL ELECTRIC PUMPS FOR AIR CONDITIONING, REFRIGERATION, IRRIGATION, DECANTING, PRESSURISATION SYSTEMS, AND INDUSTRIAL APPLICATIONS

Pumped liquid temperature range: from -10 °C to +140 °C - Maximum ambient temperature: +40°C

= 1450 1/min



See hydraulic efficiency details on page 291.

The performance curves are based on kinematic viscosity values = 1 mm²/s and density equal to 1000 kg/m³. Curve tolerance according to ISO 9906.

| MODEL | ELECTRICAL DATA | | | | | |
|------------|-----------------|------------|-------------------|-----------|-----------|------------|
| | POWER (kW) | MOTOR SIZE | POWER INPUT 50 Hz | In A | | MOTOR TYPE |
| | 4 POLES | | | - | IE2 | |
| KDN 40-125 | 0.37 | MEC 71 | 3 x 230 - 400 V ~ | 1.7/0.975 | - | - |
| | 0.55 | MEC 80 | 3 x 230 - 400 V ~ | 2.6/1.5 | - | - |
| | 0.75 | MEC 80 | 3 x 230 - 400 V ~ | - | 3.57/2.10 | IE2 |
| | 1.1 | MEC 90S | 3 x 230 - 400 V ~ | - | 4.68/2.9 | IE2 |

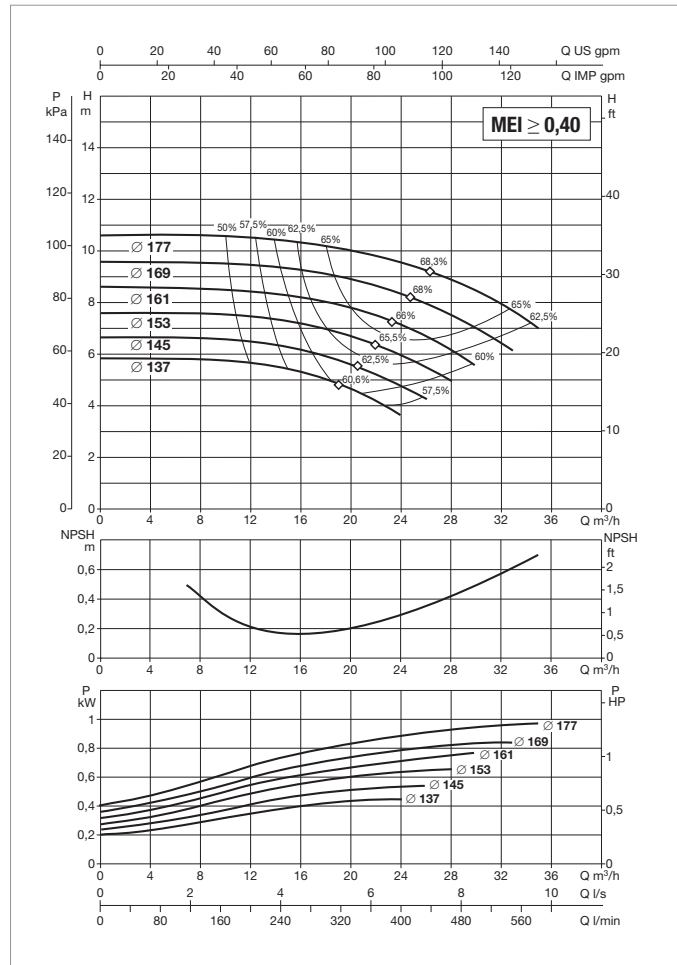
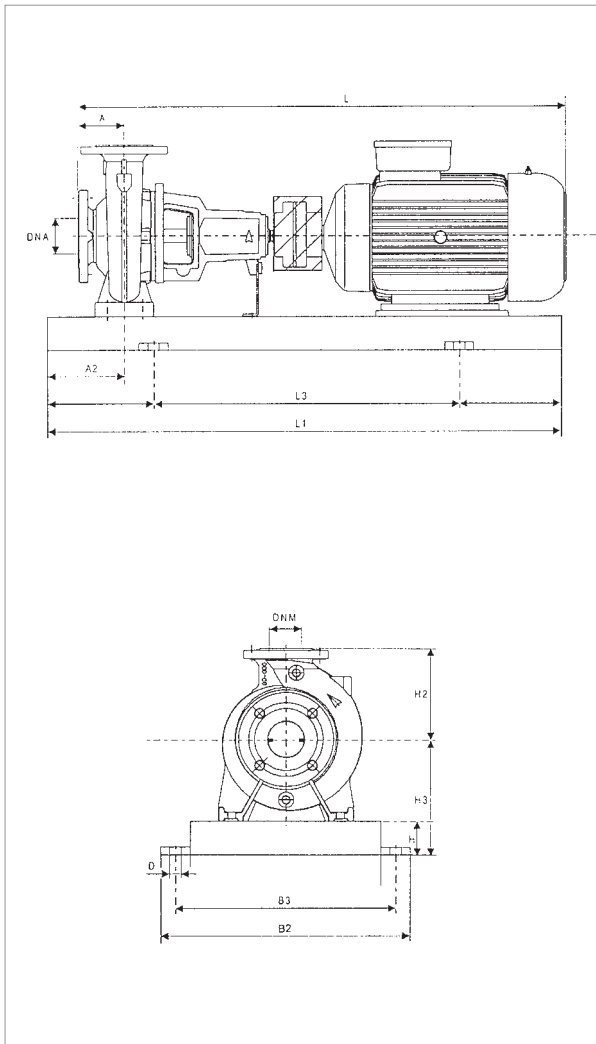
| MODEL | POWER (kW) | UNIT DIMENSIONS (mm) | | | | | | | | | | FLANGE DIMENSIONS (mm) | | STANDARD COUPLING | | | | SPACER COUPLING | | | | REF. |
|------------|------------|----------------------|-----------|-----|-----------|-----|-----------|-----|-----------|-----|-----------|------------------------|-----------|-------------------|-----------|-----|-----------|-----------------|-----------|-----|----|------|
| | | A | A2 | H2 | H | H3 | L1 | L3 | B2 | B3 | D | DNA | DNM | - | | IE2 | | - | | IE2 | | |
| | | L | WEIGHT kg | L | WEIGHT kg | L | WEIGHT kg | L | WEIGHT kg | L | WEIGHT kg | L | WEIGHT kg | L | WEIGHT kg | L | WEIGHT kg | L | WEIGHT kg | | | |
| KDN 40-125 | 0.37 | 80 | 60 | 140 | 65 | 177 | 800 | 540 | 360 | 320 | 19 | 65 | 40 | 730 | 81 | - | - | 830 | 86 | - | - | 2 |
| | 0.55 | 80 | 60 | 140 | 65 | 177 | 800 | 540 | 360 | 320 | 19 | 65 | 40 | 730 | 83 | - | - | 830 | 88 | - | - | 2 |
| | 0.75 | 80 | 60 | 140 | 65 | 177 | 800 | 540 | 360 | 320 | 19 | 65 | 40 | - | - | 730 | 84 | - | - | 830 | 89 | 2 |
| | 1.1 | 80 | 60 | 140 | 65 | 177 | 800 | 540 | 360 | 320 | 19 | 65 | 40 | - | - | 790 | 86 | - | - | 890 | 81 | 3 |

Dimension and electrical data based on sizing definition following the instructions on page 96.

KDN 40-160 - 4 POLES - STANDARDISED CENTRIFUGAL ELECTRIC PUMPS FOR AIR CONDITIONING, REFRIGERATION, IRRIGATION, DECANTING, PRESSURISATION SYSTEMS, AND INDUSTRIAL APPLICATIONS

Pumped liquid temperature range: from -10 °C to +140 °C - Maximum ambient temperature: +40°C

= 1450 1/min



See hydraulic efficiency details on page 291.

The performance curves are based on kinematic viscosity values = 1 mm²/s and density equal to 1000 kg/m³. Curve tolerance according to ISO 9906.

| MODEL | ELECTRICAL DATA | | | | | |
|------------|-----------------|------------|-------------------|-----------|-----------|------------|
| | POWER (kW) | MOTOR SIZE | POWER INPUT 50 Hz | In A | | MOTOR TYPE |
| | 4 POLES | | | - | IE2 | |
| KDN 40-160 | 0.37 | MEC 71 | 3 x 230 - 400 V ~ | 1.7/0.975 | - | - |
| | 0.55 | MEC 80 | 3 x 230 - 400 V ~ | 2.6/1.5 | - | - |
| | 0.75 | MEC 80 | 3 x 230 - 400 V ~ | - | 3.57/2.11 | IE2 |
| | 1.1 | MEC 90S | 3 x 230 - 400 V ~ | - | 4.68/2.10 | IE2 |
| | 1.5 | MEC 90L | 3 x 230 - 400 V ~ | - | 6.24/3.7 | IE2 |

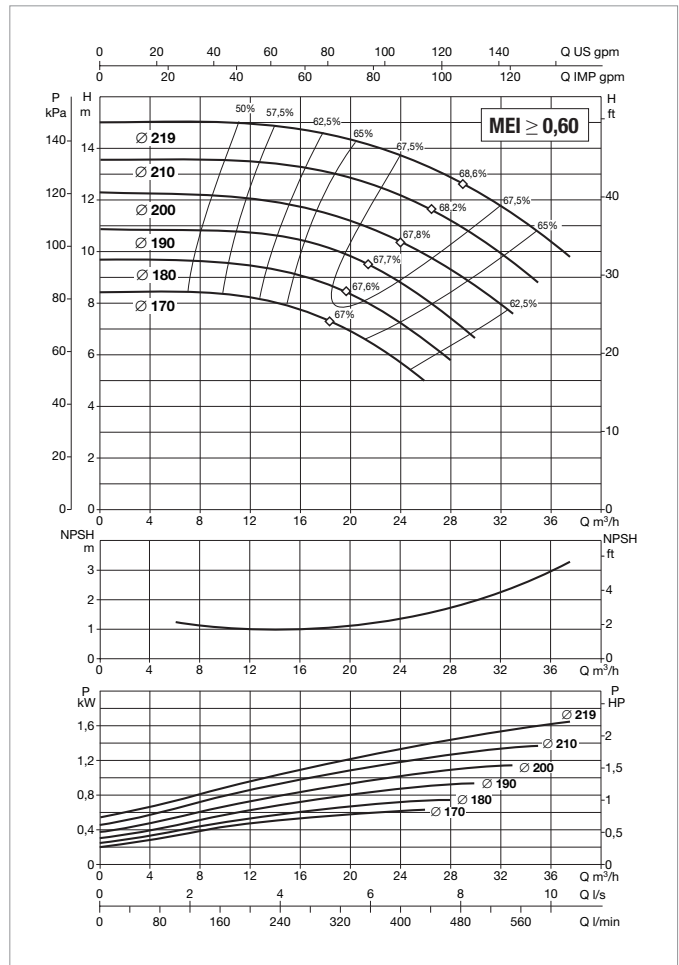
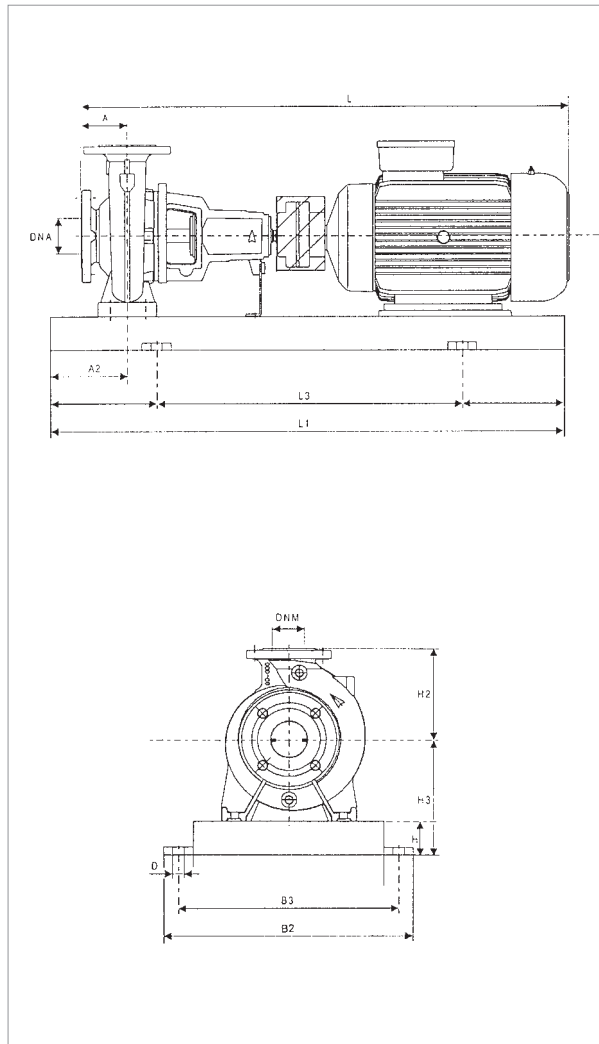
| MODEL | POWER (kW) | UNIT DIMENSIONS (mm) | | | | | | | | | | FLANGE DIMENSIONS (mm) | | STANDARD COUPLING | | | | SPACER COUPLING | | | | REF. |
|------------|------------|----------------------|----|-----|----|-----|-----|-----|-----|-----|----|------------------------|-----|-------------------|-----------|-----|-----------|-----------------|-----------|-----|-----------|------|
| | | A | A2 | H2 | H | H3 | L1 | L3 | B2 | B3 | D | DnA | DnM | - | | IE2 | | - | | IE2 | | |
| | | | | | | | | | | | | | | L | WEIGHT kg | L | WEIGHT kg | L | WEIGHT kg | L | WEIGHT kg | |
| KDN 40-160 | 0.37 | 80 | 60 | 160 | 65 | 197 | 800 | 540 | 360 | 320 | 19 | 65 | 40 | 730 | 85 | - | - | 830 | 90 | - | - | 2 |
| | 0.55 | 80 | 60 | 160 | 65 | 197 | 800 | 540 | 360 | 320 | 19 | 65 | 40 | 730 | 89 | - | - | 830 | 94 | - | - | 2 |
| | 0.75 | 80 | 60 | 160 | 65 | 197 | 800 | 540 | 360 | 320 | 19 | 65 | 40 | - | - | 730 | 89 | - | - | 830 | 94 | 2 |
| | 1.1 | 80 | 60 | 160 | 65 | 197 | 800 | 540 | 360 | 320 | 19 | 65 | 40 | - | - | 790 | 91 | - | - | 890 | 96 | 2 |
| | 1.5 | 80 | 60 | 160 | 65 | 197 | 900 | 600 | 390 | 350 | 19 | 65 | 40 | - | - | 830 | 101 | - | - | 930 | 106 | 3 |

Dimension and electrical data based on sizing definition following the instructions on page 96.

KDN 40-200 - 4 POLES - STANDARDISED CENTRIFUGAL ELECTRIC PUMPS FOR AIR CONDITIONING, REFRIGERATION, IRRIGATION, DECANTING, PRESSURISATION SYSTEMS, AND INDUSTRIAL APPLICATIONS

Pumped liquid temperature range: from -10 °C to +140 °C - Maximum ambient temperature: +40°C

= 1450 1/min



See hydraulic efficiency details on page 291.

The performance curves are based on kinematic viscosity values = 1 mm²/s and density equal to 1000 kg/m³. Curve tolerance according to ISO 9906.

| MODEL | ELECTRICAL DATA | | | | | |
|------------|-----------------|------------|-------------------|---------|-----------|------------|
| | POWER (kW) | MOTOR SIZE | POWER INPUT 50 Hz | In A | | MOTOR TYPE |
| | 4 POLES | | | - | IE2 | |
| KDN 40-200 | 0.55 | MEC 80 | 3 x 230 - 400 V ~ | 2.6/1.5 | - | - |
| | 0.75 | MEC 80 | 3 x 230 - 400 V ~ | - | 3.57/2.12 | IE2 |
| | 1.1 | MEC 90S | 3 x 230 - 400 V ~ | - | 4.68/2.11 | IE2 |
| | 1.5 | MEC 90L | 3 x 230 - 400 V ~ | - | 6.24/3.8 | IE2 |
| | 2.2 | MEC 100L | 3 x 230 - 400 V ~ | - | 8.75/5.06 | IE2 |
| | 3 | MEC 100L | 3 x 400 V - Δ | - | 6.25 | IE2 |

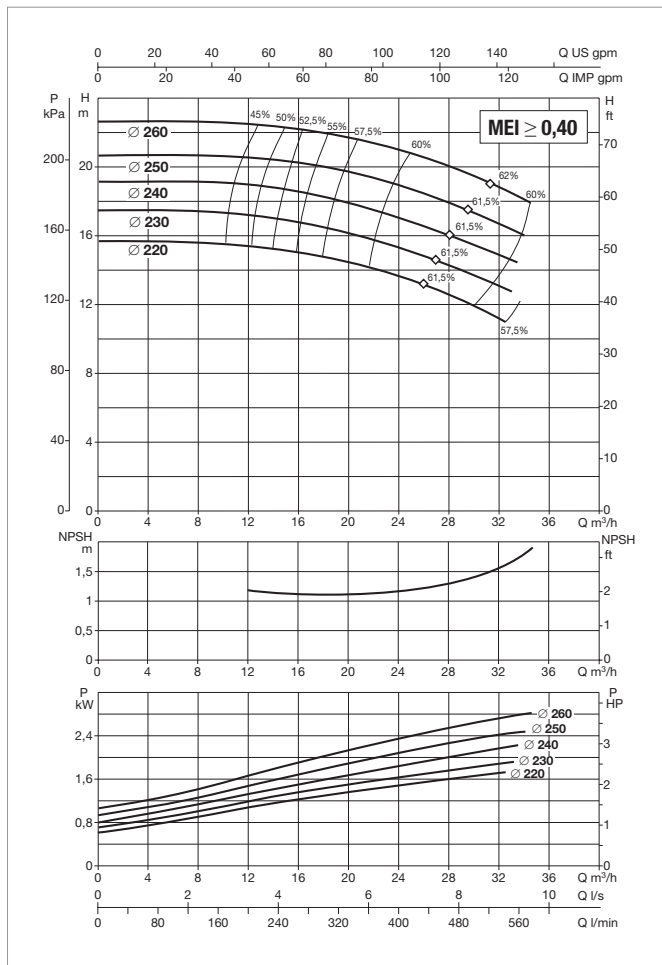
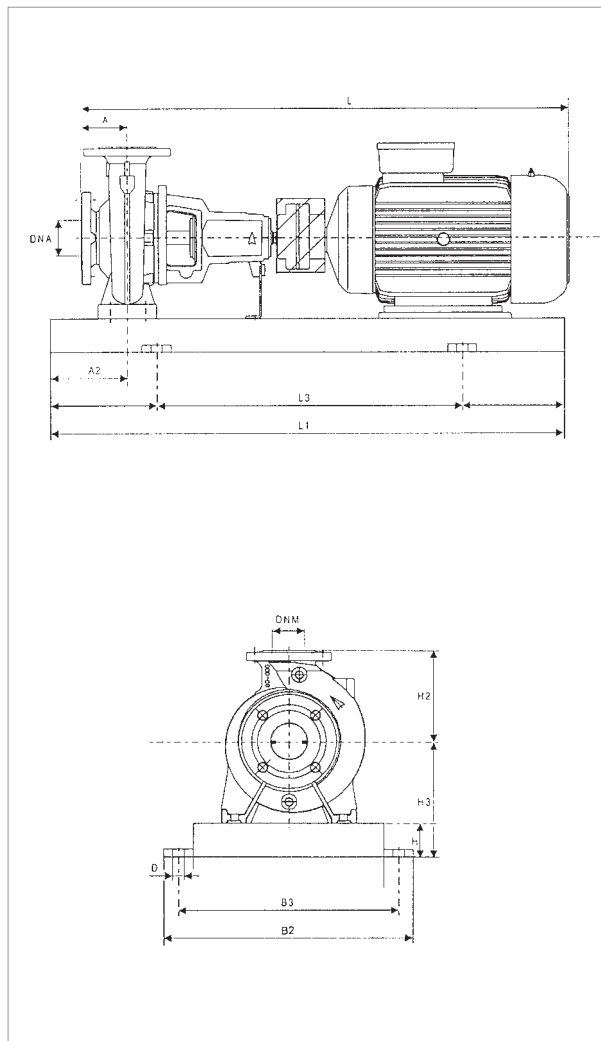
| MODEL | POWER (kW) | UNIT DIMENSIONS (mm) | | | | | | | | | | FLANGE DIMENSIONS (mm) | | STANDARD COUPLING | | | | SPACER COUPLING | | | | REF. |
|------------|------------|----------------------|-----------|-----|-----------|-----|-----------|-----|-----------|-----|-----------|------------------------|-----------|-------------------|-----------|-----|-----------|-----------------|-----------|-----|-----|------|
| | | A | A2 | H2 | H | H3 | L1 | L3 | B2 | B3 | D | DNA | DNM | - | | IE2 | | - | | IE2 | | |
| | | L | WEIGHT kg | L | WEIGHT kg | L | WEIGHT kg | L | WEIGHT kg | L | WEIGHT kg | L | WEIGHT kg | L | WEIGHT kg | L | WEIGHT kg | L | WEIGHT kg | | | |
| KDN 40-200 | 0.55 | 100 | 60 | 180 | 65 | 225 | 900 | 600 | 390 | 350 | 19 | 65 | 40 | 750 | 98 | - | - | 850 | 103 | - | - | 3 |
| | 0.75 | 100 | 60 | 180 | 65 | 225 | 900 | 600 | 390 | 350 | 19 | 65 | 40 | - | - | 750 | 98 | - | - | 850 | 103 | 3 |
| | 1.1 | 100 | 60 | 180 | 65 | 225 | 900 | 600 | 390 | 350 | 19 | 65 | 40 | - | - | 810 | 101 | - | - | 910 | 106 | 3 |
| | 1.5 | 100 | 60 | 180 | 65 | 225 | 900 | 600 | 390 | 350 | 19 | 65 | 40 | - | - | 850 | 105 | - | - | 950 | 110 | 3 |
| | 2.2 | 100 | 60 | 180 | 65 | 225 | 900 | 600 | 390 | 350 | 19 | 65 | 40 | - | - | 850 | 111 | - | - | 950 | 116 | 3 |
| | 3 | 100 | 60 | 180 | 65 | 225 | 900 | 600 | 390 | 350 | 19 | 65 | 40 | - | - | 850 | 118 | - | - | 950 | 123 | 3 |

Dimension and electrical data based on sizing definition following the instructions on page 96.

KDN 40-250 - 4 POLES - STANDARDISED CENTRIFUGAL ELECTRIC PUMPS FOR AIR CONDITIONING, REFRIGERATION, IRRIGATION, DECANTING, PRESSURISATION SYSTEMS, AND INDUSTRIAL APPLICATIONS

Pumped liquid temperature range: from -10 °C to +140 °C - Maximum ambient temperature: +40°C

= 1450 1/min



See hydraulic efficiency details on page 291.

The performance curves are based on kinematic viscosity values = 1 mm²/s and density equal to 1000 kg/m³. Curve tolerance according to ISO 9906.

| MODEL | ELECTRICAL DATA | | | | | |
|------------|-----------------|------------|-------------------|-----------|-----|------------|
| | POWER (kW) | MOTOR SIZE | POWER INPUT 50 Hz | In A | | MOTOR TYPE |
| | 4 POLES | | | IE2 | IE3 | |
| KDN 40-250 | 1.5 | MEC 90L | 3 x 230 - 400 V ~ | 6.24/3.9 | - | IE2 |
| | 2.2 | MEC 100L | 3 x 230 - 400 V ~ | 8.75/5.07 | - | IE2 |
| | 3 | MEC 100L | 3 x 400 V - Δ | 6.25 | - | IE2 |
| | 4 | MEC 112M | 3 x 400 V - Δ | 7.95 | - | IE2 |

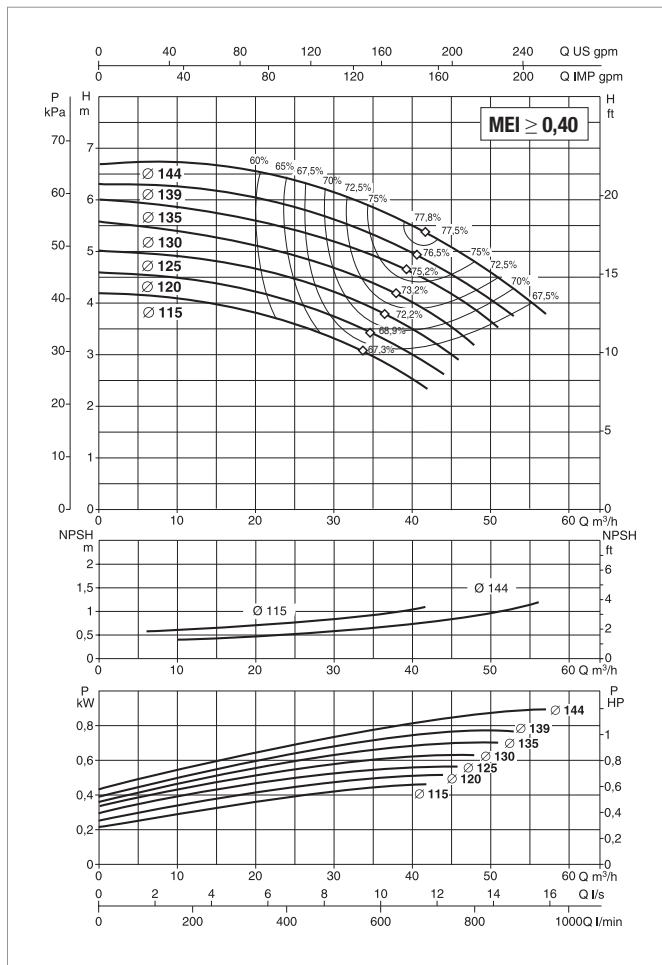
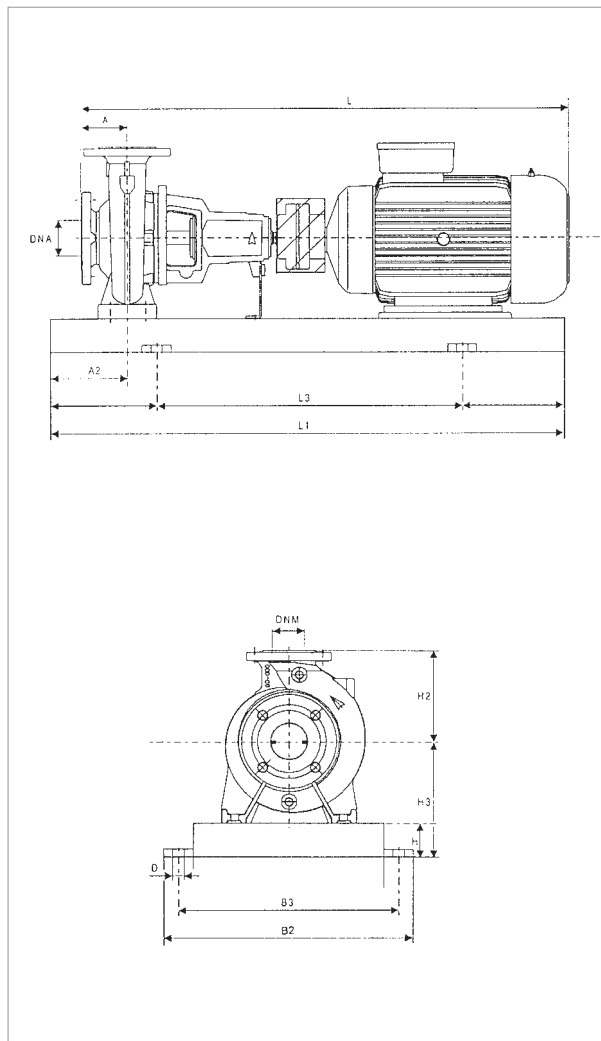
| MODEL | POWER (kW) | UNIT DIMENSIONS (mm) | | | | | | | | | | | FLANGE DIMENSIONS (mm) | | STANDARD COUPLING | | | | SPACER COUPLING | | | | REF. |
|------------|------------|----------------------|-----------|-----|-----------|-----|-----------|-----|-----------|-----|----|-----|------------------------|-----|-------------------|-----|---|------|-----------------|-----|---|---|------|
| | | A | A2 | H2 | H | H3 | L1 | L3 | B2 | B3 | D | DNA | DNM | IE2 | | IE3 | | IE2 | | IE3 | | | |
| | | L | WEIGHT kg | L | WEIGHT kg | L | WEIGHT kg | L | WEIGHT kg | | | | | | | | | | | | | | |
| KDN 40-250 | 1.5 | 100 | 75 | 225 | 80 | 260 | 1000 | 660 | 450 | 400 | 24 | 65 | 40 | 850 | 125 | - | - | 950 | 130 | - | - | 4 | |
| | 2.2 | 100 | 75 | 225 | 80 | 260 | 1000 | 660 | 450 | 400 | 24 | 65 | 40 | 850 | 129 | - | - | 950 | 134 | - | - | 4 | |
| | 3 | 100 | 75 | 225 | 80 | 260 | 1000 | 660 | 450 | 400 | 24 | 65 | 40 | 850 | 149 | - | - | 950 | 154 | - | - | 4 | |
| | 4 | 100 | 75 | 225 | 80 | 260 | 1000 | 660 | 450 | 400 | 24 | 65 | 40 | 935 | 200 | - | - | 1035 | 205 | - | - | 4 | |

Dimension and electrical data based on sizing definition following the instructions on page 96.

KDN 50-125 - 4 POLES - STANDARDISED CENTRIFUGAL ELECTRIC PUMPS FOR AIR CONDITIONING, REFRIGERATION, IRRIGATION, DECANTING, PRESSURISATION SYSTEMS, AND INDUSTRIAL APPLICATIONS

Pumped liquid temperature range: from -10 °C to +140 °C - Maximum ambient temperature: +40°C

= 1450 1/min



See hydraulic efficiency details on page 291.

The performance curves are based on kinematic viscosity values = 1 mm²/s and density equal to 1000 kg/m³. Curve tolerance according to ISO 9906.

| MODEL | ELECTRICAL DATA | | | | | |
|------------|-----------------|------------|-------------------|-----------|-----------|------------|
| | POWER (kW) | MOTOR SIZE | POWER INPUT 50 Hz | In A | | MOTOR TYPE |
| | 4 POLES | | | - | IE2 | |
| KDN 50-125 | 0.37 | MEC 71 | 3 x 230 - 400 V ~ | 1.7/0.975 | - | - |
| | 0.55 | MEC 80 | 3 x 230 - 400 V ~ | 2.6/1.5 | - | - |
| | 0.75 | MEC 80 | 3 x 230 - 400 V ~ | - | 3.57/2.13 | IE2 |
| | 1.1 | MEC 90S | 3 x 230 - 400 V ~ | - | 4.68/2.12 | IE2 |
| | 1.5 | MEC 90L | 3 x 230 - 400 V ~ | - | 6.24/3.10 | IE2 |

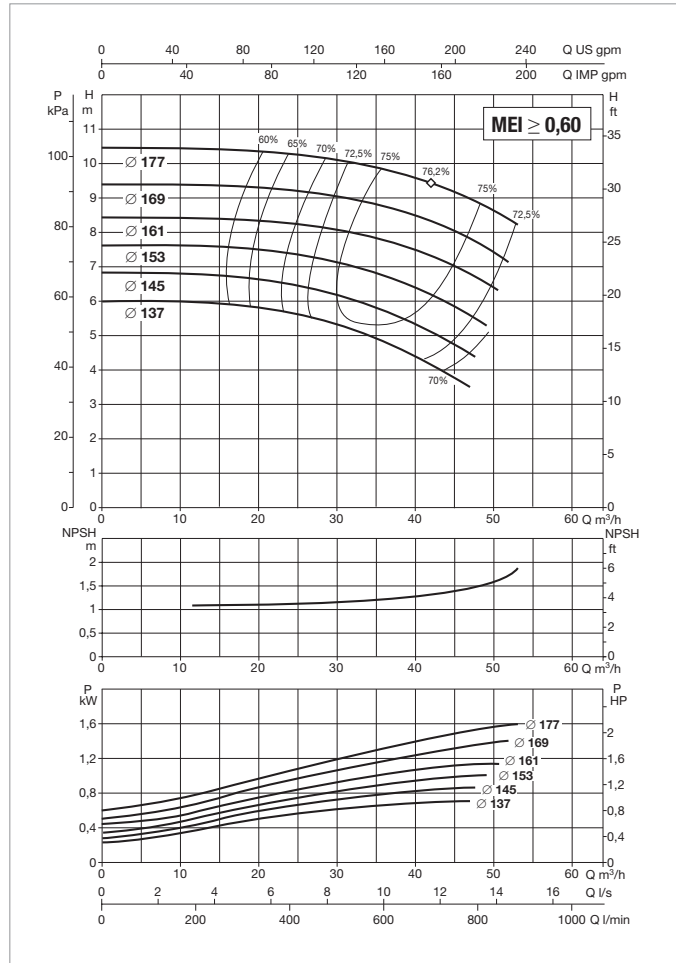
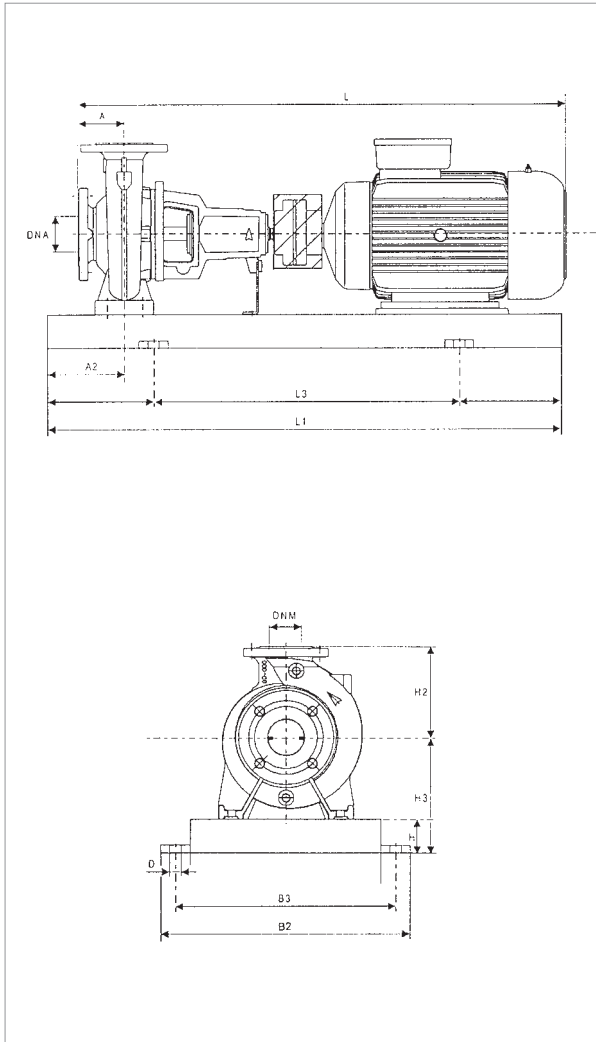
| MODEL | POWER (kW) | UNIT DIMENSIONS (mm) | | | | | | | | | | FLANGE DIMENSIONS (mm) | | STANDARD COUPLING | | | | SPACER COUPLING | | | | REF. |
|------------|------------|----------------------|-----------|-----|-----------|-----|-----------|-----|-----------|-----|-----------|------------------------|-----------|-------------------|-----------|-----|-----------|-----------------|-----------|-----|-----|------|
| | | A | A2 | H2 | H | H3 | L1 | L3 | B2 | B3 | D | DnA | DnM | - | | IE2 | | - | | IE2 | | |
| | | L | WEIGHT kg | L | WEIGHT kg | L | WEIGHT kg | L | WEIGHT kg | L | WEIGHT kg | L | WEIGHT kg | L | WEIGHT kg | L | WEIGHT kg | L | WEIGHT kg | | | |
| KDN 50-125 | 0.37 | 100 | 60 | 160 | 65 | 197 | 800 | 540 | 360 | 320 | 19 | 65 | 50 | 750 | 87 | - | - | 850 | 92 | - | - | 2 |
| | 0.55 | 100 | 60 | 160 | 65 | 197 | 800 | 540 | 360 | 320 | 19 | 65 | 50 | 750 | 90 | - | - | 850 | 95 | - | - | 2 |
| | 0.75 | 100 | 60 | 160 | 65 | 197 | 800 | 540 | 360 | 320 | 19 | 65 | 50 | - | - | 750 | 91 | - | - | 850 | 96 | 2 |
| | 1.1 | 100 | 60 | 160 | 65 | 197 | 800 | 540 | 360 | 320 | 19 | 65 | 50 | - | - | 810 | 93 | - | - | 910 | 98 | 2 |
| | 1.5 | 100 | 60 | 160 | 65 | 197 | 900 | 600 | 390 | 350 | 19 | 65 | 50 | - | - | 850 | 101 | - | - | 950 | 106 | 3 |

Dimension and electrical data based on sizing definition following the instructions on page 96.

KDN 50-160 - 4 POLES - STANDARDISED CENTRIFUGAL ELECTRIC PUMPS FOR AIR CONDITIONING, REFRIGERATION, IRRIGATION, DECANTING, PRESSURISATION SYSTEMS, AND INDUSTRIAL APPLICATIONS

Pumped liquid temperature range: from -10 °C to +140 °C - Maximum ambient temperature: +40°C

= 1450 1/min



See hydraulic efficiency details on page 291.

The performance curves are based on kinematic viscosity values = 1 mm²/s and density equal to 1000 kg/m³. Curve tolerance according to ISO 9906.

| MODEL | ELECTRICAL DATA | | | | | |
|------------|-----------------|------------|-------------------|---------|-----------|------------|
| | POWER (kW) | MOTOR SIZE | POWER INPUT 50 Hz | In A | | MOTOR TYPE |
| | 4 POLES | | | - | IE2 | |
| KDN 50-160 | 0.55 | MEC 80 | 3 x 230 - 400 V ~ | 2.6/1.5 | - | - |
| | 0.75 | MEC 80 | 3 x 230 - 400 V ~ | - | 3.57/2.14 | IE2 |
| | 1.1 | MEC 90S | 3 x 230 - 400 V ~ | - | 4.68/2.13 | IE2 |
| | 1.5 | MEC 90L | 3 x 230 - 400 V ~ | - | 6.24/3.11 | IE2 |
| | 2.2 | MEC 100L | 3 x 230 - 400 V ~ | - | 8.75/5.08 | IE2 |
| | 3 | MEC 100L | 3 x 400 V - Δ | - | 6.25 | IE2 |

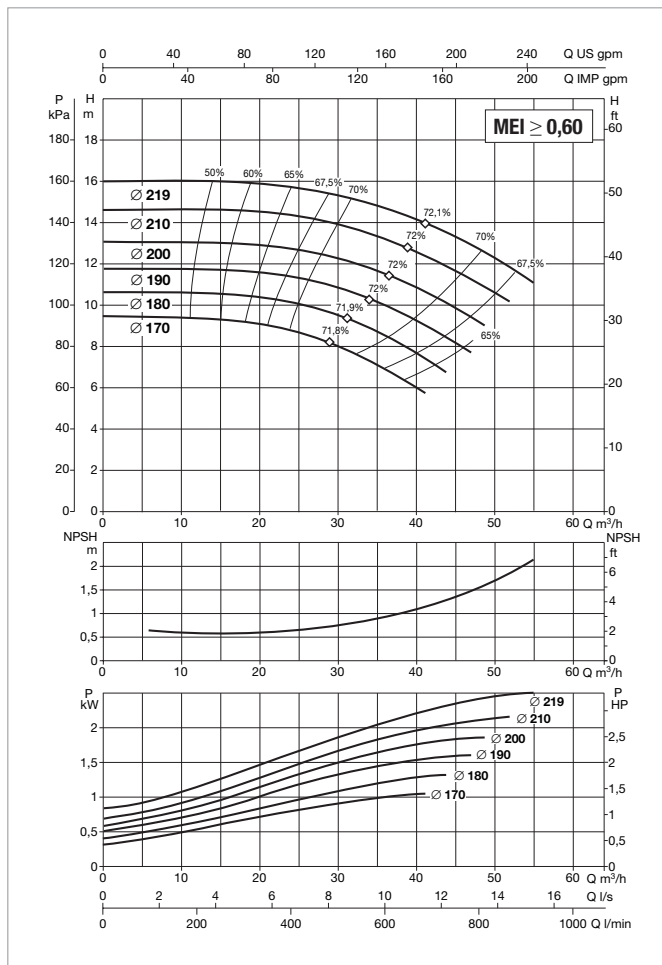
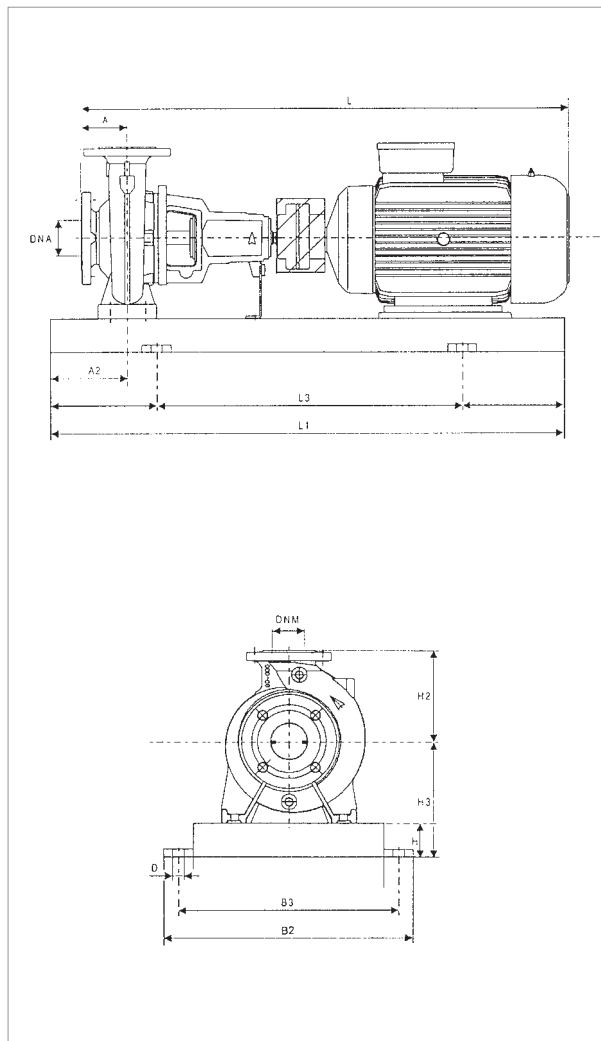
| MODEL | POWER (kW) | UNIT DIMENSIONS (mm) | | | | | | | | | | FLANGE DIMENSIONS (mm) | | STANDARD COUPLING | | | | SPACER COUPLING | | | | REF. |
|------------|------------|----------------------|-----------|-----|-----------|-----|-----------|-----|-----------|-----|-----------|------------------------|-----------|-------------------|-----------|-----|-----------|-----------------|-----------|-----|-----|------|
| | | A | A2 | H2 | H | H3 | L1 | L3 | B2 | B3 | D | DNA | DNM | - | | IE2 | | - | | IE2 | | |
| | | L | WEIGHT kg | L | WEIGHT kg | L | WEIGHT kg | L | WEIGHT kg | L | WEIGHT kg | L | WEIGHT kg | L | WEIGHT kg | L | WEIGHT kg | L | WEIGHT kg | | | |
| KDN 50-160 | 0.55 | 100 | 60 | 180 | 65 | 225 | 900 | 600 | 390 | 350 | 19 | 65 | 50 | 750 | 97 | - | - | 850 | 102 | - | - | 3 |
| | 0.75 | 100 | 60 | 180 | 65 | 225 | 900 | 600 | 390 | 350 | 19 | 65 | 50 | - | - | 750 | 98 | - | - | 850 | 103 | 3 |
| | 1.1 | 100 | 60 | 180 | 65 | 225 | 900 | 600 | 390 | 350 | 19 | 65 | 50 | - | - | 810 | 100 | - | - | 910 | 105 | 3 |
| | 1.5 | 100 | 60 | 180 | 65 | 225 | 900 | 600 | 390 | 350 | 19 | 65 | 50 | - | - | 850 | 103 | - | - | 950 | 108 | 3 |
| | 2.2 | 100 | 60 | 180 | 65 | 225 | 900 | 600 | 390 | 350 | 19 | 65 | 50 | - | - | 850 | 107 | - | - | 950 | 112 | 3 |
| | 3 | 100 | 60 | 180 | 65 | 225 | 900 | 600 | 390 | 350 | 19 | 65 | 50 | - | - | 850 | 110 | - | - | 950 | 115 | 3 |

Dimension and electrical data based on sizing definition following the instructions on page 96.

KDN 50-200 - 4 POLES - STANDARDISED CENTRIFUGAL ELECTRIC PUMPS FOR AIR CONDITIONING, REFRIGERATION, IRRIGATION, DECANTING, PRESSURISATION SYSTEMS, AND INDUSTRIAL APPLICATIONS

Pumped liquid temperature range: from -10 °C to +140 °C - Maximum ambient temperature: +40°C

= 1450 1/min



See hydraulic efficiency details on page 291.

The performance curves are based on kinematic viscosity values = 1 mm²/s and density equal to 1000 kg/m³. Curve tolerance according to ISO 9906.

| MODEL | ELECTRICAL DATA | | | | | |
|------------|-----------------------|------------|----------------------|-----------|-----|------------|
| | POWER (kW) 4 POLES | MOTOR SIZE | POWER INPUT 50 Hz | In A | | MOTOR TYPE |
| | | | | IE2 | IE3 | |
| KDN 50-200 | 0.75 | MEC 80 | 3 x 230 - 400 V ~ | 3.57/2.15 | - | IE2 |
| | 1.1 | MEC 90S | 3 x 230 - 400 V ~ | 4.68/2.14 | - | IE2 |
| | 1.5 | MEC 90L | 3 x 230 - 400 V ~ | 6.24/3.12 | - | IE2 |
| | 2.2 | MEC 100L | 3 x 230 - 400 V ~ | 8.75/5.09 | - | IE2 |
| | 3 | MEC 100L | 3 x 400 V - Δ | 6.25 | - | IE2 |
| | 4 | MEC 112M | 3 x 400 V - Δ | 7.95 | - | IE2 |

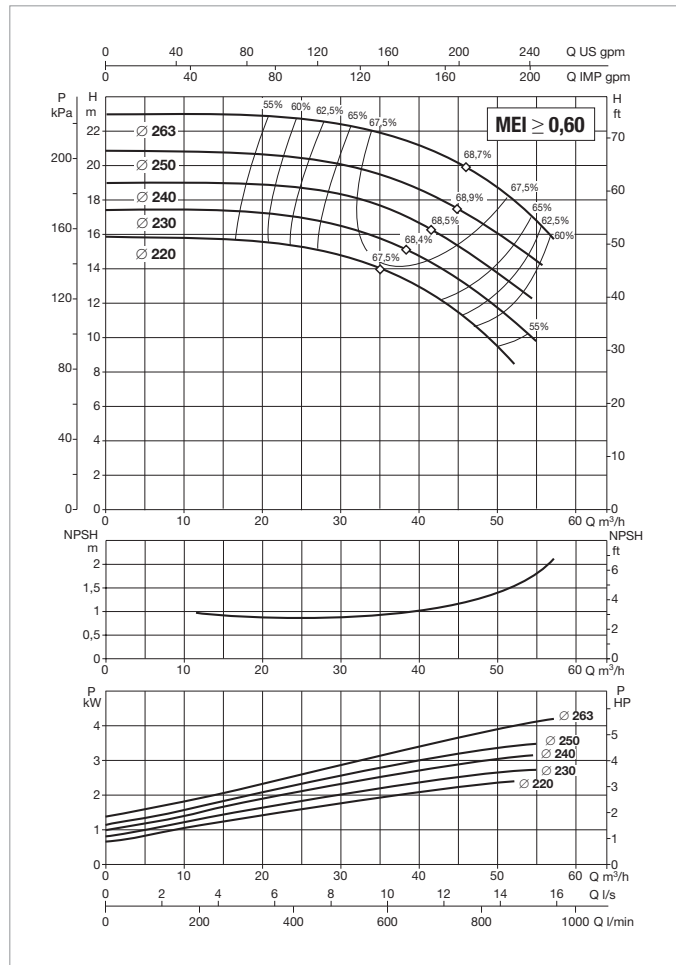
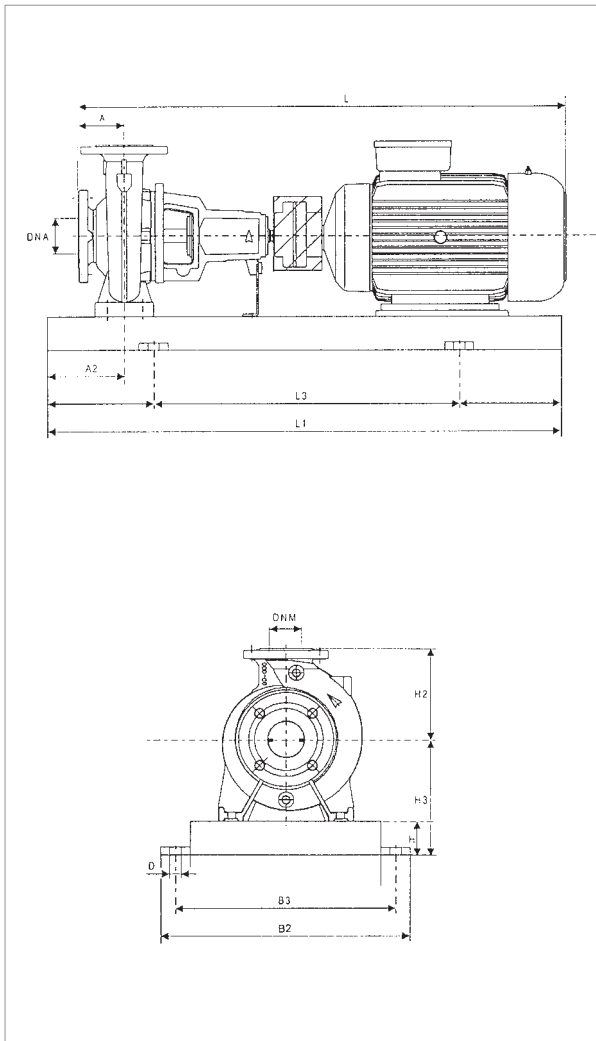
| MODEL | POWER (kW) | UNIT DIMENSIONS (mm) | | | | | | | | | | FLANGE DIMENSIONS (mm) | | | STANDARD COUPLING | | | | SPACER COUPLING | | | | REF. |
|------------|------------|----------------------|----|-----|----|-----|-----|-----|-----|-----|----|------------------------|-----|-----|-------------------|-----|-----------|------|-----------------|-----|-----------|---|------|
| | | A | A2 | H2 | H | H3 | L1 | L3 | B2 | B3 | D | DNA | DNM | IE2 | | IE3 | | IE2 | | IE3 | | | |
| | | | | | | | | | | | | | | L | WEIGHT kg | L | WEIGHT kg | L | WEIGHT kg | L | WEIGHT kg | | |
| KDN 50-200 | 0.75 | 100 | 60 | 200 | 65 | 225 | 900 | 600 | 390 | 350 | 19 | 65 | 50 | 750 | 104 | - | - | 850 | 109 | - | - | 3 | |
| | 1.1 | 100 | 60 | 200 | 65 | 225 | 900 | 600 | 390 | 350 | 19 | 65 | 50 | 810 | 107 | - | - | 910 | 112 | - | - | 3 | |
| | 1.5 | 100 | 60 | 200 | 65 | 225 | 900 | 600 | 390 | 350 | 19 | 65 | 50 | 850 | 114 | - | - | 950 | 119 | - | - | 3 | |
| | 2.2 | 100 | 60 | 200 | 65 | 225 | 900 | 600 | 390 | 350 | 19 | 65 | 50 | 850 | 123 | - | - | 950 | 128 | - | - | 3 | |
| | 3 | 100 | 60 | 200 | 65 | 225 | 900 | 600 | 390 | 350 | 19 | 65 | 50 | 850 | 122 | - | - | 950 | 127 | - | - | 3 | |
| | 4 | 100 | 60 | 200 | 65 | 225 | 900 | 600 | 390 | 350 | 19 | 65 | 50 | 935 | 122 | - | - | 1035 | 127 | - | - | 3 | |

Dimension and electrical data based on sizing definition following the instructions on page 96.

KDN 50-250 - 4 POLES - STANDARDISED CENTRIFUGAL ELECTRIC PUMPS FOR AIR CONDITIONING, REFRIGERATION, IRRIGATION, DECANTING, PRESSURISATION SYSTEMS, AND INDUSTRIAL APPLICATIONS

Pumped liquid temperature range: from -10 °C to +140 °C - Maximum ambient temperature: +40°C

= 1450 1/min



See hydraulic efficiency details on page 291.

The performance curves are based on kinematic viscosity values = 1 mm²/s and density equal to 1000 kg/m³. Curve tolerance according to ISO 9906.

| MODEL | ELECTRICAL DATA | | | | | |
|------------|-----------------|------------|-------------------|-----------|-----|------------|
| | POWER (kW) | MOTOR SIZE | POWER INPUT 50 Hz | In A | | MOTOR TYPE |
| | 4 POLES | | | IE2 | IE3 | |
| KDN 50-250 | 2.2 | MEC 100L | 3 x 230 - 400 V ~ | 8.75/5.11 | - | IE2 |
| | 3 | MEC 100L | 3 x 400 V - Δ | 6.25 | - | IE2 |
| | 4 | MEC 112M | 3 x 400 V - Δ | 7.95 | - | IE2 |
| | 5.5 | MEC 132S | 3 x 400 V - Δ | 10.6 | - | IE2 |

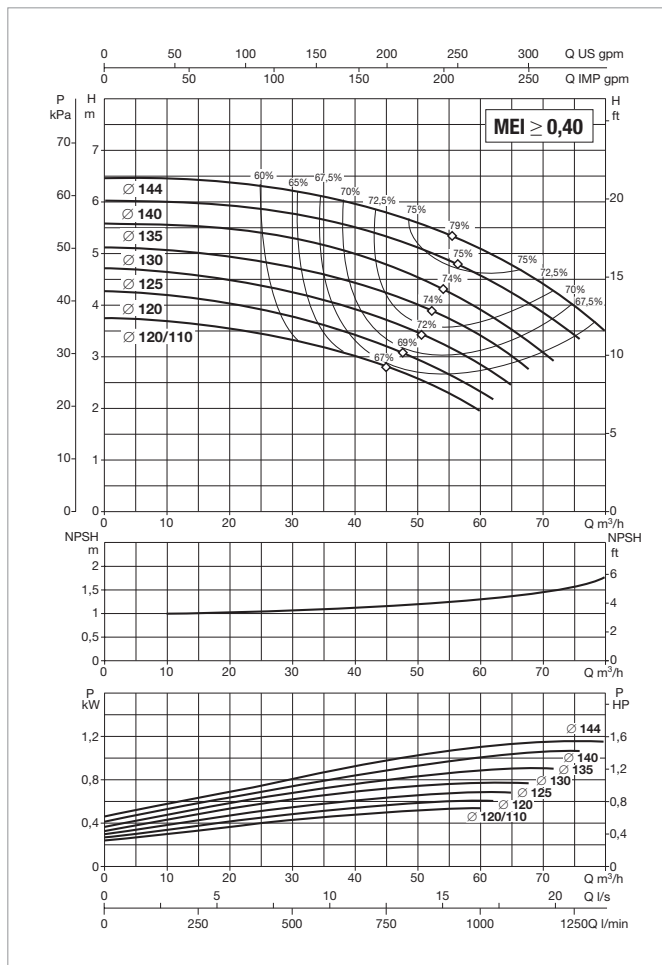
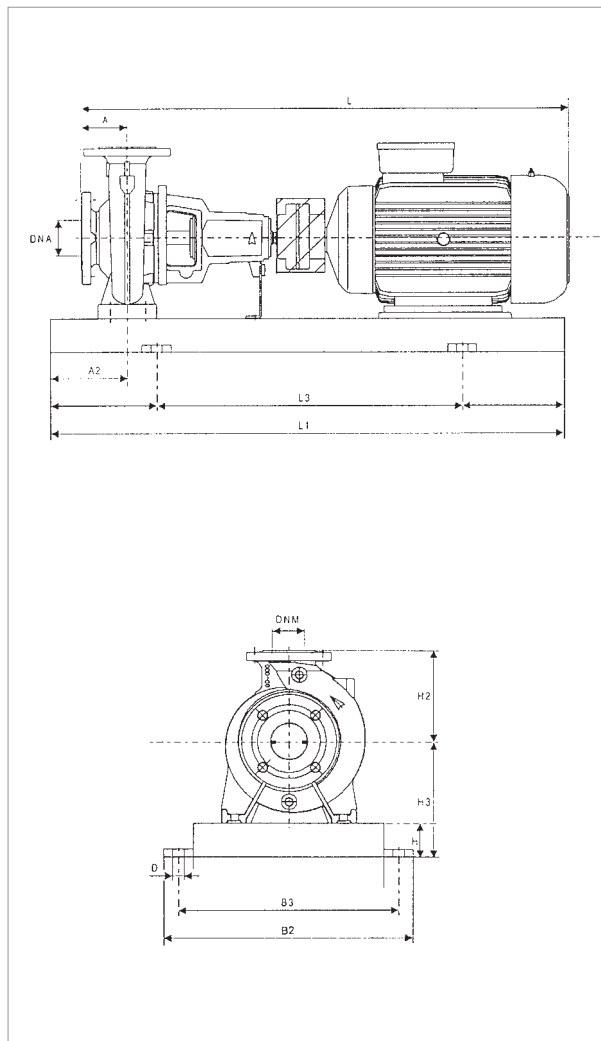
| MODEL | POWER (kW) | UNIT DIMENSIONS (mm) | | | | | | | | | | FLANGE DIMENSIONS (mm) | | STANDARD COUPLING | | | | SPACER COUPLING | | | | REF. |
|------------|------------|----------------------|-----------|-----|-----------|-----|-----------|-----|-----------|-----|-----------|------------------------|-----------|-------------------|-----------|-----|-----------|-----------------|-----------|-----|---|------|
| | | A | A2 | H2 | H | H3 | L1 | L3 | B2 | B3 | D | DNA | DNM | IE2 | | IE3 | | IE2 | | IE3 | | |
| | | L | WEIGHT kg | L | WEIGHT kg | L | WEIGHT kg | L | WEIGHT kg | L | WEIGHT kg | L | WEIGHT kg | L | WEIGHT kg | L | WEIGHT kg | L | WEIGHT kg | | | |
| KDN 50-250 | 2.2 | 100 | 75 | 225 | 80 | 260 | 1000 | 660 | 450 | 400 | 24 | 65 | 50 | 850 | 135 | - | - | 950 | 140 | - | - | 4 |
| | 3 | 100 | 75 | 225 | 80 | 260 | 1000 | 660 | 450 | 400 | 24 | 65 | 50 | 850 | 138 | - | - | 950 | 143 | - | - | 4 |
| | 4 | 100 | 75 | 225 | 80 | 260 | 1000 | 660 | 450 | 400 | 24 | 65 | 50 | 935 | 165 | - | - | 1035 | 170 | - | - | 4 |
| | 5.5 | 100 | 75 | 225 | 80 | 260 | 1120 | 740 | 490 | 440 | 24 | 65 | 50 | 935 | 173 | - | - | 1035 | 178 | - | - | 5 |

Dimension and electrical data based on sizing definition following the instructions on page 96.

KDN 65-125 - 4 POLES - STANDARDISED CENTRIFUGAL ELECTRIC PUMPS FOR AIR CONDITIONING, REFRIGERATION, IRRIGATION, DECANTING, PRESSURISATION SYSTEMS, AND INDUSTRIAL APPLICATIONS

Pumped liquid temperature range: from -10 °C to +140 °C - Maximum ambient temperature: +40°C

= 1450 1/min



See hydraulic efficiency details on page 291.

The performance curves are based on kinematic viscosity values = 1 mm²/s and density equal to 1000 kg/m³. Curve tolerance according to ISO 9906.

| MODEL | ELECTRICAL DATA | | | | | |
|------------|-----------------------|------------|----------------------|-----------|-----------|------------|
| | POWER (kW) 4 POLES | MOTOR SIZE | POWER INPUT 50 Hz | In A | | MOTOR TYPE |
| | | | | - | IE2 | |
| KDN 65-125 | 0.37 | MEC 71 | 3 x 230 - 400 V ~ | 1.7/0.975 | - | - |
| | 0.55 | MEC 80 | 3 x 230 - 400 V ~ | - | 2.6/1.5 | IE2 |
| | 0.75 | MEC 80 | 3 x 230 - 400 V ~ | - | 3.57/2.16 | IE2 |
| | 1.1 | MEC 90S | 3 x 230 - 400 V ~ | - | 4.68/2.15 | IE2 |
| | 1.5 | MEC 90L | 3 x 230 - 400 V ~ | - | 6.24/3.13 | IE2 |
| | 2.2 | MEC 100L | 3 x 230 - 400 V ~ | - | 8.75/5.12 | IE2 |

| MODEL | POWER (kW) | UNIT DIMENSIONS (mm) | | | | | | | | | | FLANGE DIMENSIONS (mm) | | STANDARD COUPLING | | | | SPACER COUPLING | | | | REF. |
|------------|------------|----------------------|----|-----|----|-----|-----|-----|-----|-----|----|------------------------|-----|-------------------|-----------|-----|-----------|-----------------|-----------|-----|-----------|------|
| | | A | A2 | H2 | H | H3 | L1 | L3 | B2 | B3 | D | DnA | DnM | - | | IE2 | | - | | IE2 | | |
| | | | | | | | | | | | | | | L | WEIGHT kg | L | WEIGHT kg | L | WEIGHT kg | L | WEIGHT kg | |
| KDN 65-125 | 0.37 | 100 | 60 | 180 | 65 | 225 | 900 | 600 | 390 | 350 | 19 | 80 | 50 | 714 | 94 | - | - | 814 | 99 | - | - | 3 |
| | 0.55 | 100 | 60 | 180 | 65 | 225 | 900 | 600 | 390 | 350 | 19 | 80 | 50 | - | - | 757 | 97 | - | - | 857 | 102 | 3 |
| | 0.75 | 100 | 60 | 180 | 65 | 225 | 900 | 600 | 390 | 350 | 19 | 80 | 50 | - | - | 750 | 98 | - | - | 850 | 103 | 3 |
| | 1.1 | 100 | 60 | 180 | 65 | 225 | 900 | 600 | 390 | 350 | 19 | 80 | 50 | - | - | 810 | 100 | - | - | 910 | 105 | 3 |
| | 1.5 | 100 | 60 | 180 | 65 | 225 | 900 | 600 | 390 | 350 | 19 | 80 | 50 | - | - | 850 | 103 | - | - | 950 | 108 | 3 |
| | 2.2 | 100 | 60 | 180 | 65 | 225 | 900 | 600 | 390 | 350 | 19 | 80 | 50 | - | - | 850 | 107 | - | - | 950 | 112 | 3 |

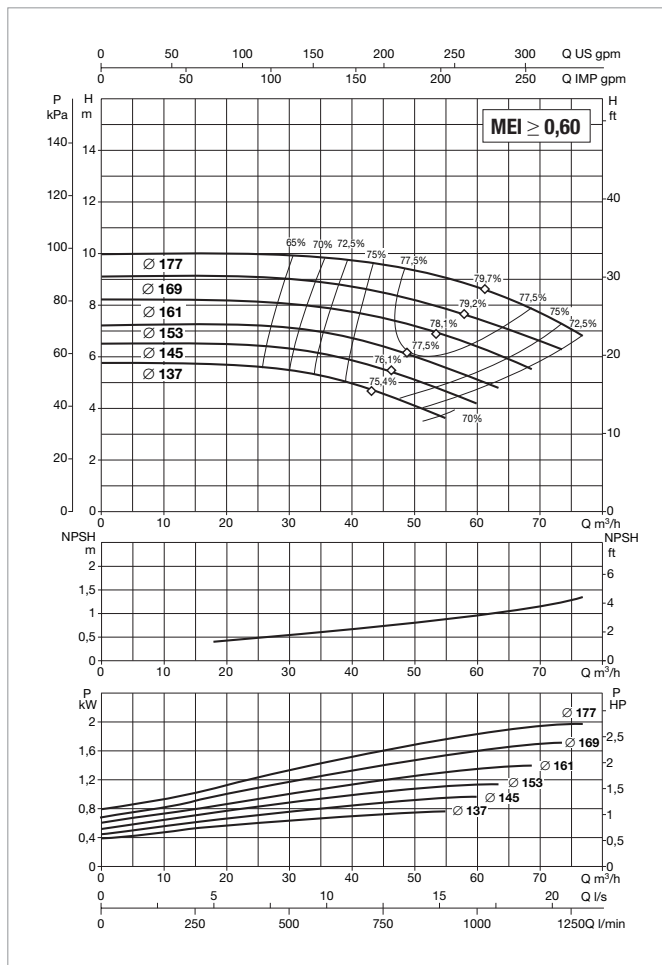
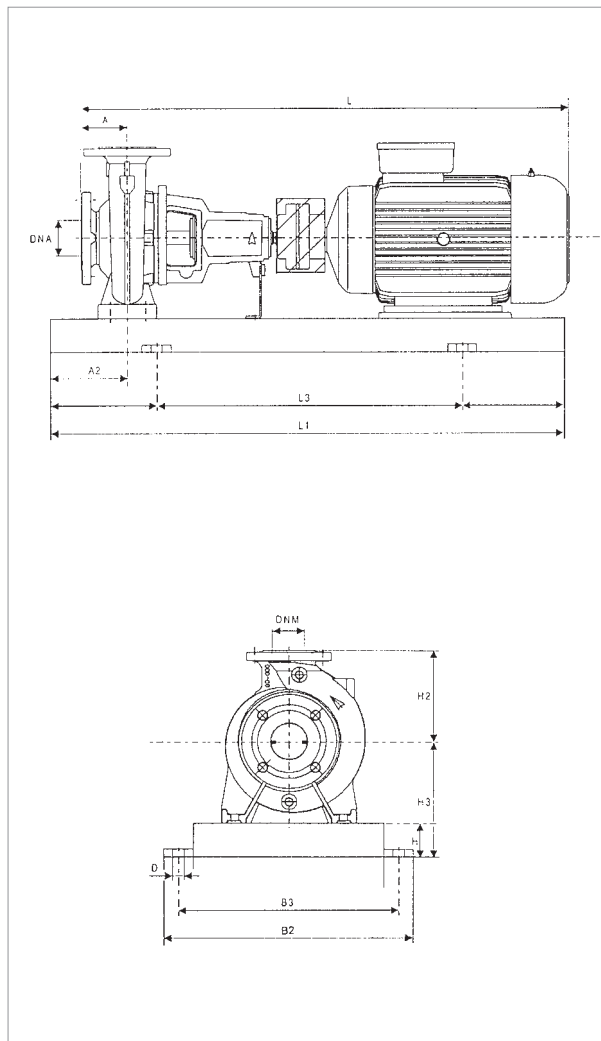
Dimension and electrical data based on sizing definition following the instructions on page 96.



KDN 65-160 - 4 POLES - STANDARDISED CENTRIFUGAL ELECTRIC PUMPS FOR AIR CONDITIONING, REFRIGERATION, IRRIGATION, DECANTING, PRESSURISATION SYSTEMS, AND INDUSTRIAL APPLICATIONS

Pumped liquid temperature range: from -10 °C to +140 °C - Maximum ambient temperature: +40°C

= 1450 1/min



See hydraulic efficiency details on page 291.

The performance curves are based on kinematic viscosity values = 1 mm²/s and density equal to 1000 kg/m³. Curve tolerance according to ISO 9906.

| MODEL | ELECTRICAL DATA | | | | | |
|------------|-----------------|------------|-------------------|-----------|-----|------------|
| | POWER (kW) | MOTOR SIZE | POWER INPUT 50 Hz | In A | | MOTOR TYPE |
| | 4 POLES | | | IE2 | IE3 | |
| KDN 65-160 | 0.75 | MEC 80 | 3 x 230 - 400 V ~ | 3.57/2.17 | - | IE2 |
| | 1.1 | MEC 90S | 3 x 230 - 400 V ~ | 4.68/2.17 | - | IE2 |
| | 1.5 | MEC 90L | 3 x 230 - 400 V ~ | 6.24/3.14 | - | IE2 |
| | 2.2 | MEC 100L | 3 x 230 - 400 V ~ | 8.75/5.13 | - | IE2 |
| | 3 | MEC 100L | 3 x 400 V - Δ | 6.25 | - | IE2 |

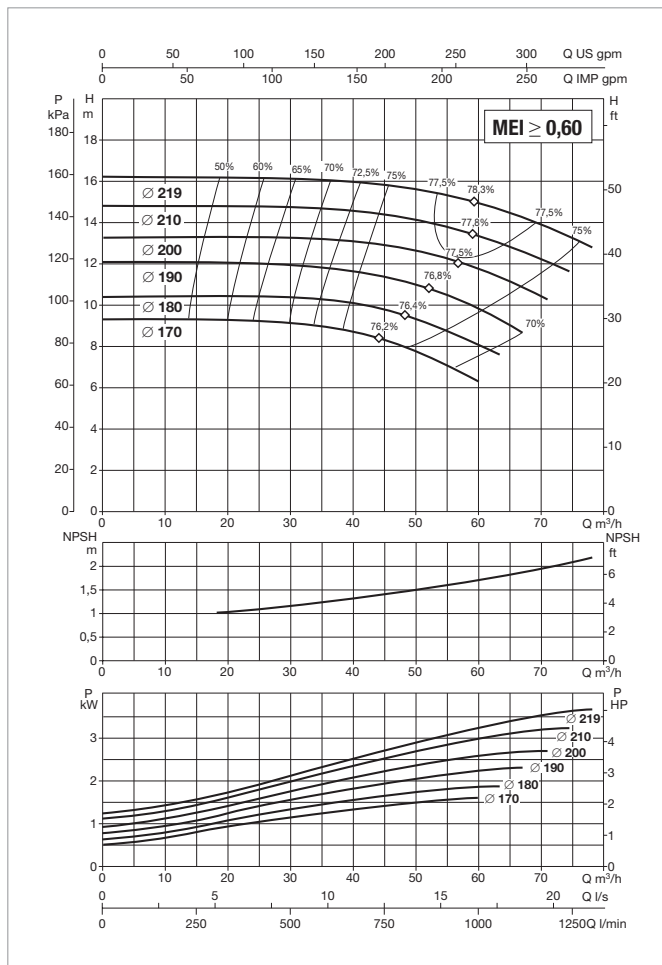
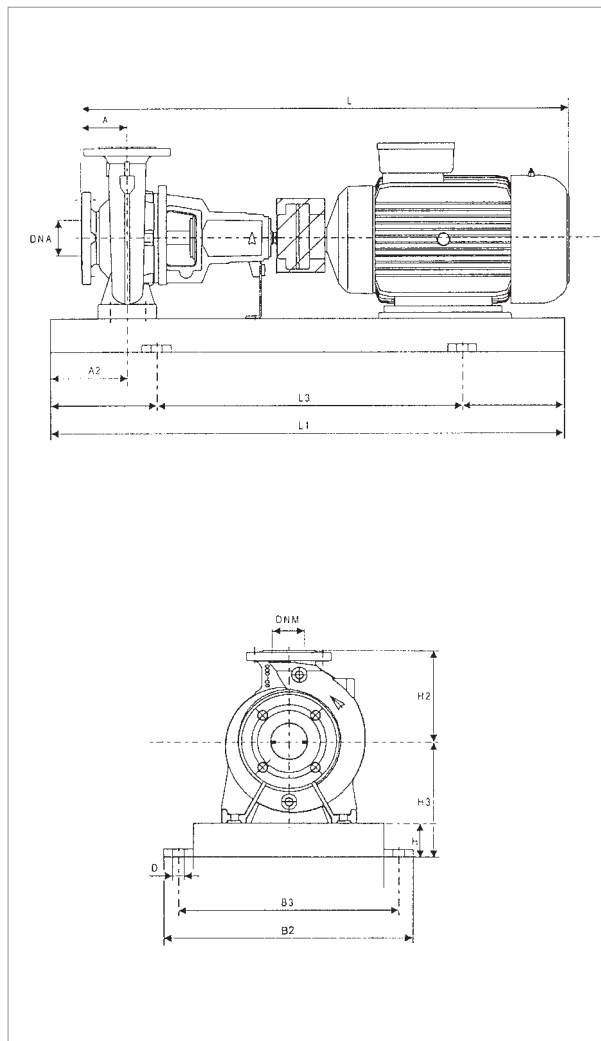
| MODEL | POWER (kW) | UNIT DIMENSIONS (mm) | | | | | | | | | | FLANGE DIMENSIONS (mm) | | STANDARD COUPLING | | | | SPACER COUPLING | | | | REF. |
|------------|------------|----------------------|-----------|-----|-----------|-----|-----------|-----|-----------|-----|-----------|------------------------|-----------|-------------------|-----------|-----|-----------|-----------------|-----------|-----|---|------|
| | | A | A2 | H2 | H | H3 | L1 | L3 | B2 | B3 | D | DnA | DnM | IE2 | | IE3 | | IE2 | | IE3 | | |
| | | L | WEIGHT kg | L | WEIGHT kg | L | WEIGHT kg | L | WEIGHT kg | L | WEIGHT kg | L | WEIGHT kg | L | WEIGHT kg | L | WEIGHT kg | L | WEIGHT kg | | | |
| KDN 65-160 | 0.75 | 100 | 60 | 200 | 65 | 225 | 900 | 600 | 390 | 350 | 19 | 80 | 65 | 750 | 101 | - | - | 850 | 106 | - | - | 3 |
| | 1.1 | 100 | 60 | 200 | 65 | 225 | 900 | 600 | 390 | 350 | 19 | 80 | 65 | 810 | 103 | - | - | 910 | 108 | - | - | 3 |
| | 1.5 | 100 | 60 | 200 | 65 | 225 | 900 | 600 | 390 | 350 | 19 | 80 | 65 | 850 | 114 | - | - | 950 | 119 | - | - | 3 |
| | 2.2 | 100 | 60 | 200 | 65 | 225 | 900 | 600 | 390 | 350 | 19 | 80 | 65 | 850 | 114 | - | - | 950 | 119 | - | - | 3 |
| | 3 | 100 | 60 | 200 | 65 | 225 | 900 | 600 | 390 | 350 | 19 | 80 | 65 | 850 | 148 | - | - | 950 | 153 | - | - | 3 |

Dimension and electrical data based on sizing definition following the instructions on page 96.

KDN 65-200 - 4 POLES - STANDARDISED CENTRIFUGAL ELECTRIC PUMPS FOR AIR CONDITIONING, REFRIGERATION, IRRIGATION, DECANTING, PRESSURISATION SYSTEMS, AND INDUSTRIAL APPLICATIONS

Pumped liquid temperature range: from -10 °C to +140 °C - Maximum ambient temperature: +40°C

= 1450 1/min



See hydraulic efficiency details on page 291.

The performance curves are based on kinematic viscosity values = 1 mm²/s and density equal to 1000 kg/m³. Curve tolerance according to ISO 9906.

| MODEL | ELECTRICAL DATA | | | | | |
|------------|-----------------------|------------|----------------------|-----------|-----|------------|
| | POWER (kW) 4 POLES | MOTOR SIZE | POWER INPUT 50 Hz | In A | | MOTOR TYPE |
| | | | | IE2 | IE3 | |
| KDN 65-200 | 1.1 | MEC 90S | 3 x 230 - 400 V ~ | 4.68/2.18 | - | IE2 |
| | 1.5 | MEC 90L | 3 x 230 - 400 V ~ | 6.24/3.15 | - | IE2 |
| | 2.2 | MEC 100L | 3 x 230 - 400 V ~ | 8.75/5.14 | - | IE2 |
| | 3 | MEC 100L | 3 x 400 V - Δ | 6.25 | - | IE2 |
| | 4 | MEC 112M | 3 x 400 V - Δ | 7.95 | - | IE2 |
| | 5.5 | MEC 132S | 3 x 400 V - Δ | 10.6 | - | IE2 |

| MODEL | POWER (kW) | UNIT DIMENSIONS (mm) | | | | | | | | | FLANGE DIMENSIONS (mm) | | | STANDARD COUPLING | | | | SPACER COUPLING | | | | REF. |
|------------|------------|----------------------|----|-----|----|-----|------|-----|-----|-----|------------------------|-----|-----|-------------------|-----------|-----|-----------|-----------------|-----------|-----|-----------|------|
| | | A | A2 | H2 | H | H3 | L1 | L3 | B2 | B3 | D | DnA | DnM | IE2 | | IE3 | | IE2 | | IE3 | | |
| | | | | | | | | | | | | | | L | WEIGHT kg | L | WEIGHT kg | L | WEIGHT kg | L | WEIGHT kg | |
| KDN 65-200 | 1.1 | 100 | 75 | 225 | 80 | 260 | 1000 | 660 | 450 | 400 | 24 | 80 | 65 | 810 | 141 | - | - | 950 | 146 | - | - | 4 |
| | 1.5 | 100 | 75 | 225 | 80 | 260 | 1000 | 660 | 450 | 400 | 24 | 80 | 65 | 850 | 143 | - | - | 990 | 148 | - | - | 4 |
| | 2.2 | 100 | 75 | 225 | 80 | 260 | 1120 | 740 | 490 | 440 | 24 | 80 | 65 | 850 | 147 | - | - | 990 | 152 | - | - | 5 |
| | 3 | 100 | 75 | 225 | 80 | 260 | 1120 | 740 | 490 | 440 | 24 | 80 | 65 | 850 | 150 | - | - | 990 | 155 | - | - | 5 |
| | 4 | 100 | 75 | 225 | 80 | 260 | 1120 | 740 | 490 | 440 | 24 | 80 | 65 | 935 | 150 | - | - | 1075 | 155 | - | - | 5 |
| | 5.5 | 100 | 75 | 225 | 80 | 260 | 1120 | 740 | 490 | 440 | 24 | 80 | 65 | 935 | 200 | - | - | 1075 | 205 | - | - | 5 |

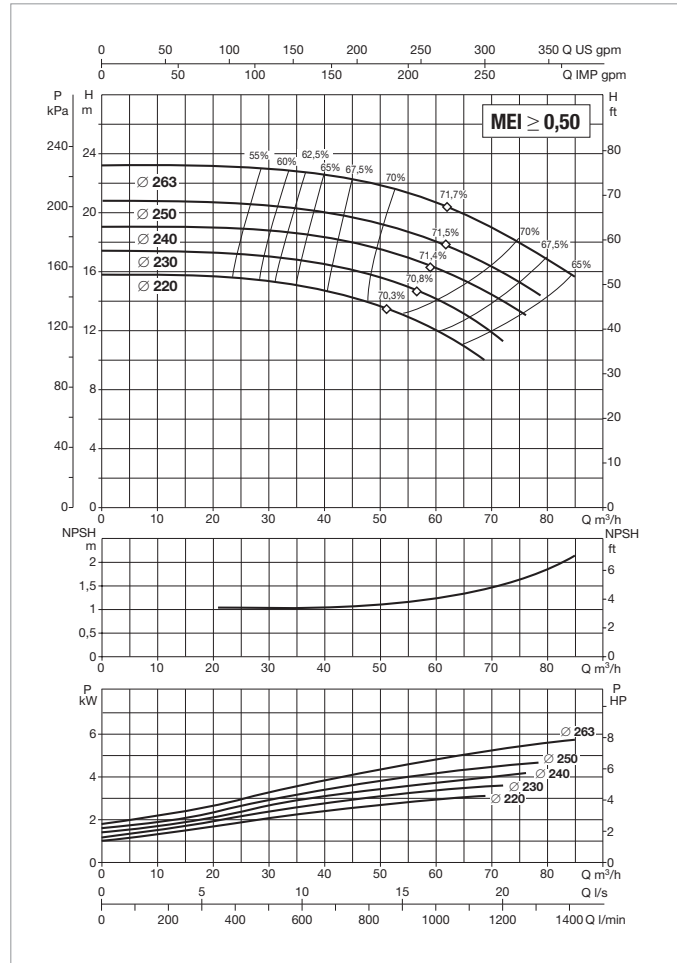
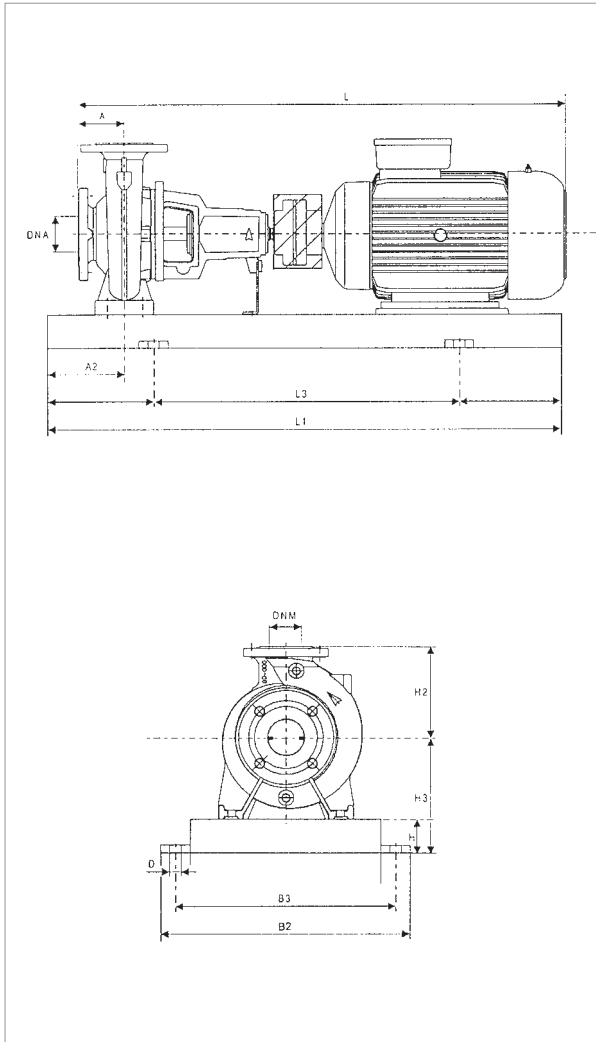
Dimension and electrical data based on sizing definition following the instructions on page 96.



KDN 65-250 - 4 POLES - STANDARDISED CENTRIFUGAL ELECTRIC PUMPS FOR AIR CONDITIONING, REFRIGERATION, IRRIGATION, DECANTING, PRESSURISATION SYSTEMS, AND INDUSTRIAL APPLICATIONS

Pumped liquid temperature range: from -10 °C to +140 °C - Maximum ambient temperature: +40°C

= 1450 1/min



See hydraulic efficiency details on page 291.

The performance curves are based on kinematic viscosity values = 1 mm²/s and density equal to 1000 kg/m³. Curve tolerance according to ISO 9906.

| MODEL | ELECTRICAL DATA | | | | | |
|------------|-----------------|------------|-------------------|------|------|------------|
| | POWER (kW) | MOTOR SIZE | POWER INPUT 50 Hz | In A | | MOTOR TYPE |
| | 4 POLES | | | IE2 | IE3 | |
| KDN 65-250 | 3 | MEC 100L | 3 x 400 V - Δ | 6.25 | - | IE2 |
| | 4 | MEC 112M | 3 x 400 V - Δ | 7.95 | - | IE2 |
| | 5.5 | MEC 132S | 3 x 400 V - Δ | 10.6 | - | IE2 |
| | 7.5 | MEC 132M | 3 x 400 V - Δ | 14.2 | 14.6 | IE2 / IE3 |
| | 11 | MEC 160M | 3 x 400 V - Δ | 21.6 | 20.5 | IE2 / IE3 |

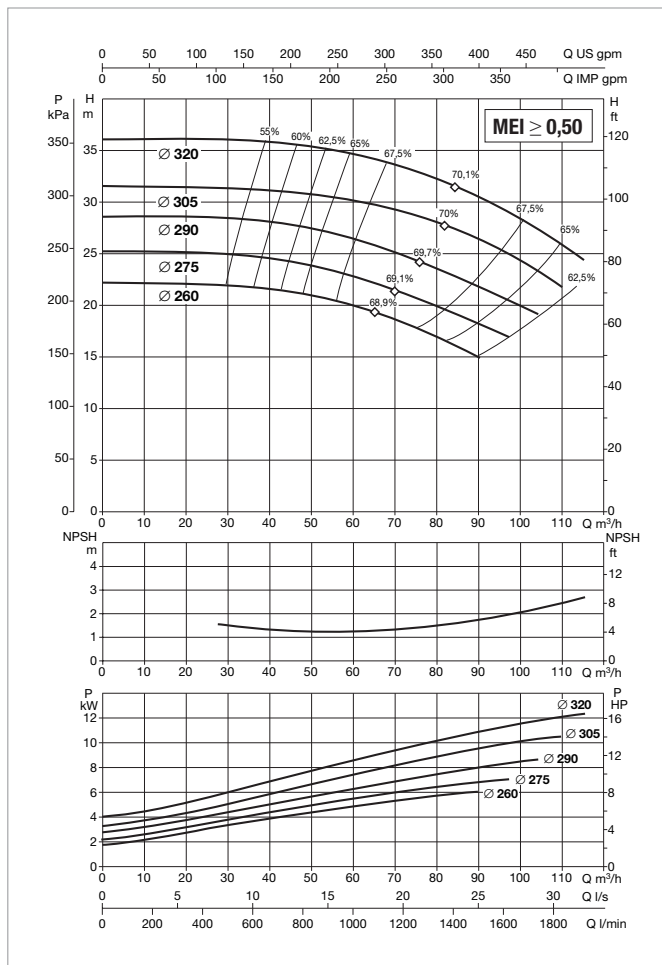
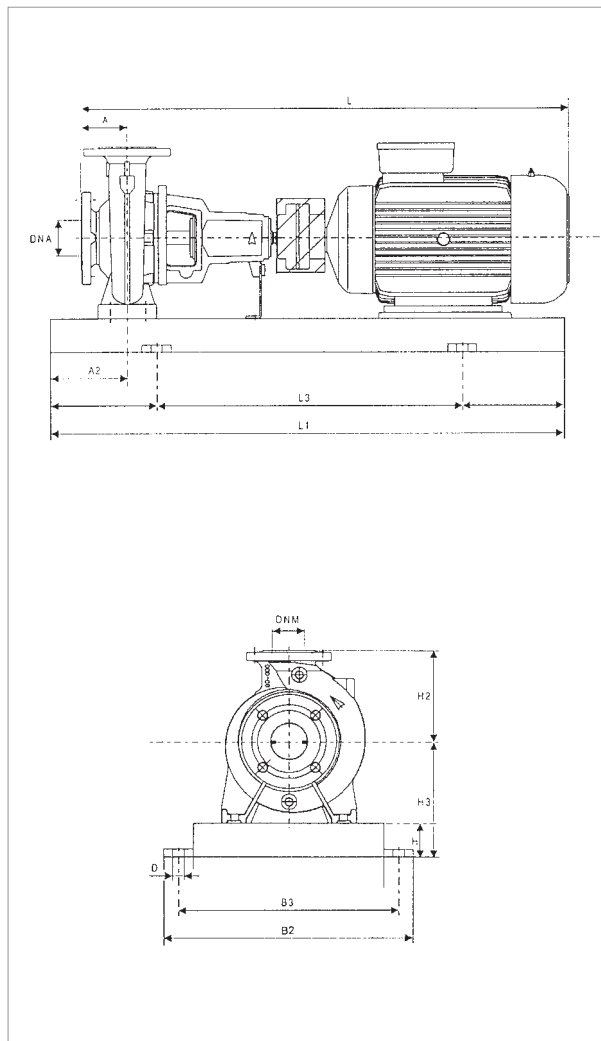
| MODEL | POWER (kW) | UNIT DIMENSIONS (mm) | | | | | | | | | | FLANGE DIMENSIONS (mm) | | STANDARD COUPLING | | | | SPACER COUPLING | | | | REF. |
|------------|------------|----------------------|-----------|-----|-----------|-----|-----------|-----|-----------|-----|-----------|------------------------|-----|-------------------|-----|------|-----|-----------------|-----|------|-----|------|
| | | A | A2 | H2 | H | H3 | L1 | L3 | B2 | B3 | D | DNA | DNM | IE2 | | IE3 | | IE2 | | IE3 | | |
| | | L | WEIGHT kg | L | WEIGHT kg | L | WEIGHT kg | L | WEIGHT kg | L | WEIGHT kg | | | | | | | | | | | |
| KDN 65-250 | 3 | 100 | 90 | 250 | 80 | 280 | 1120 | 740 | 490 | 440 | 24 | 80 | 65 | 960 | 178 | - | - | 1100 | 186 | - | - | 5 |
| | 4 | 100 | 90 | 250 | 80 | 280 | 1120 | 740 | 490 | 440 | 24 | 80 | 65 | 1045 | 185 | - | - | 1185 | 193 | - | - | 5 |
| | 5.5 | 100 | 90 | 250 | 80 | 280 | 1120 | 740 | 490 | 440 | 24 | 80 | 65 | 1045 | 201 | - | - | 1185 | 209 | - | - | 5 |
| | 7.5 | 100 | 90 | 250 | 80 | 280 | 1120 | 740 | 490 | 440 | 24 | 80 | 65 | 1085 | 257 | 1092 | 238 | 1225 | 265 | 1232 | 246 | 6 |
| | 11 | 100 | 90 | 250 | 80 | 280 | 1250 | 840 | 540 | 490 | 24 | 80 | 65 | 1190 | 257 | 1190 | 277 | 1330 | 265 | 1330 | 285 | 6 |

Dimension and electrical data based on sizing definition following the instructions on page 96.

KDN 65-315 - 4 POLES - STANDARDISED CENTRIFUGAL ELECTRIC PUMPS FOR AIR CONDITIONING, REFRIGERATION, IRRIGATION, DECANTING, PRESSURISATION SYSTEMS, AND INDUSTRIAL APPLICATIONS

Pumped liquid temperature range: from -10 °C to +140 °C - Maximum ambient temperature: +40°C

= 1450 1/min



See hydraulic efficiency details on page 291.

The performance curves are based on kinematic viscosity values = 1 mm²/s and density equal to 1000 kg/m³. Curve tolerance according to ISO 9906.

| MODEL | ELECTRICAL DATA | | | | | |
|------------|-----------------|------------|-------------------|------|------|------------|
| | POWER (kW) | MOTOR SIZE | POWER INPUT 50 Hz | In A | | MOTOR TYPE |
| | 4 POLES | | | IE2 | IE3 | |
| KDN 65-315 | 5.5 | MEC 132S | 3 x 400 V - Δ | 10.6 | - | IE2 |
| | 7.5 | MEC 132M | 3 x 400 V - Δ | 14.2 | 14.6 | IE2 / IE3 |
| | 11 | MEC 160M | 3 x 400 V - Δ | 21.6 | 20.5 | IE2 / IE3 |
| | 15 | MEC 160L | 3 x 400 V - Δ | 29 | 28 | IE2 / IE3 |
| | 18.5 | MEC 180M | 3 x 400 V - Δ | 33 | 34 | IE2 / IE3 |

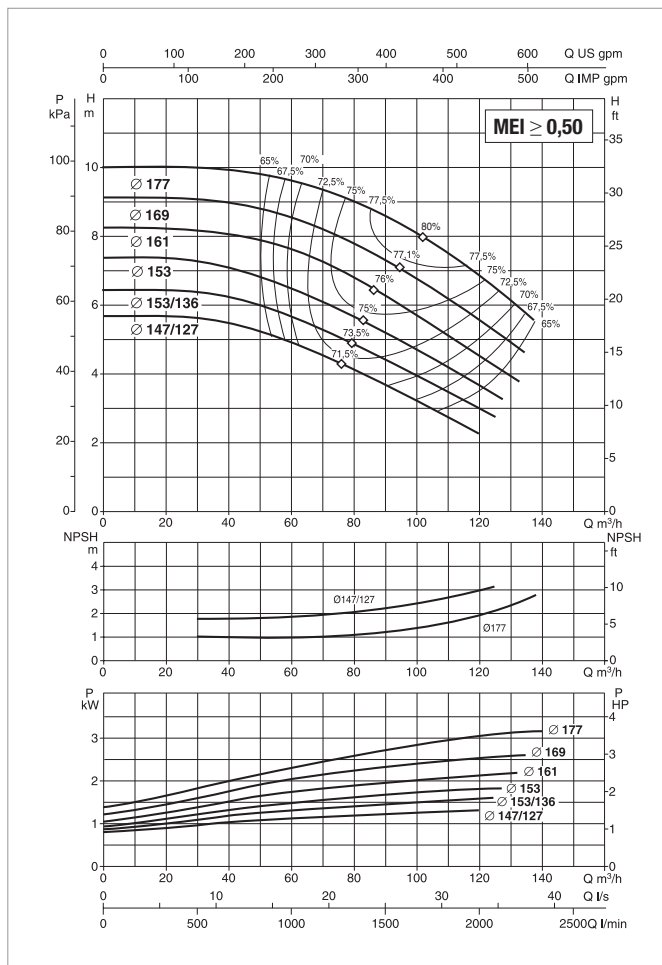
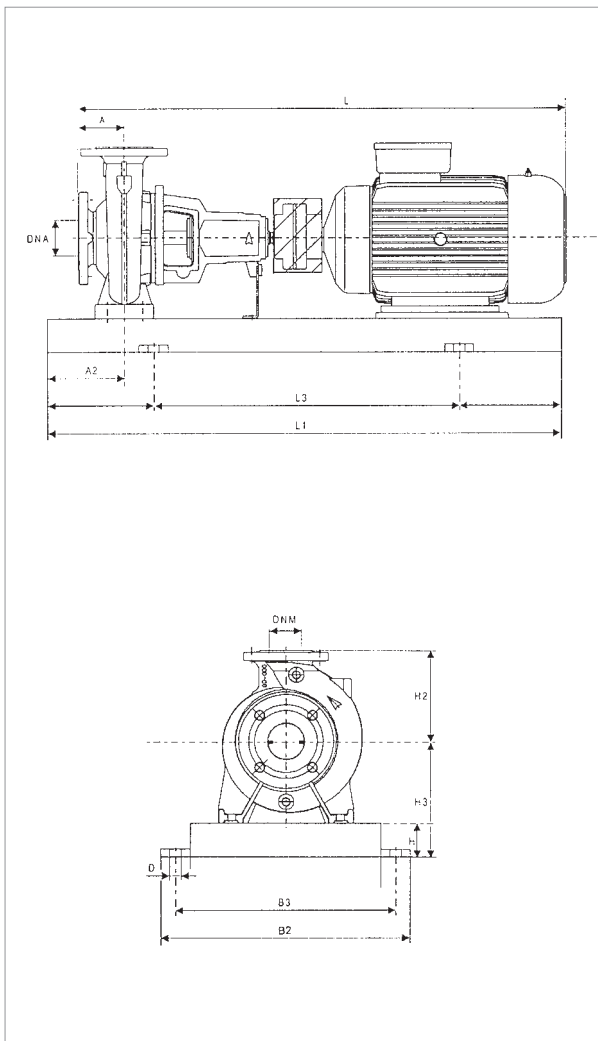
| MODEL | POWER (kW) | UNIT DIMENSIONS (mm) | | | | | | | | | | FLANGE DIMENSIONS (mm) | | STANDARD COUPLING | | | | SPACER COUPLING | | | | REF. |
|------------|------------|----------------------|-----------|-----|-----------|-----|-----------|-----|-----------|-----|-----------|------------------------|-----------|-------------------|-----------|------|-----------|-----------------|-----------|------|-----|------|
| | | A | A2 | H2 | H | H3 | L1 | L3 | B2 | B3 | D | DN A | DN M | IE2 | | IE3 | | IE2 | | IE3 | | |
| | | L | WEIGHT kg | L | WEIGHT kg | L | WEIGHT kg | L | WEIGHT kg | L | WEIGHT kg | L | WEIGHT kg | L | WEIGHT kg | L | WEIGHT kg | L | WEIGHT kg | | | |
| KDN 65-315 | 5.5 | 125 | 90 | 280 | 80 | 305 | 1250 | 840 | 540 | 490 | 24 | 80 | 65 | 1070 | 259 | - | - | 1210 | 267 | - | - | 6 |
| | 7.5 | 125 | 90 | 280 | 80 | 305 | 1250 | 840 | 540 | 490 | 24 | 80 | 65 | 1110 | 292 | 1117 | 273 | 1250 | 300 | 1257 | 281 | 6 |
| | 11 | 125 | 90 | 280 | 80 | 305 | 1250 | 840 | 540 | 490 | 24 | 80 | 65 | 1215 | 297 | 1215 | 271 | 1355 | 305 | 1355 | 279 | 6 |
| | 15 | 125 | 90 | 280 | 100 | 325 | 1400 | 940 | 610 | 550 | 28 | 80 | 65 | 1220 | 297 | 1258 | 272 | 1360 | 305 | 1398 | 280 | 7 |
| | 18.5 | 125 | 90 | 280 | 100 | 325 | 1400 | 940 | 610 | 550 | 28 | 80 | 65 | 1290 | 322 | 1290 | 291 | 1430 | 330 | 1430 | 299 | 7 |

Dimension and electrical data based on sizing definition following the instructions on page 96.

KDN 80-160 - 4 POLES - STANDARDISED CENTRIFUGAL ELECTRIC PUMPS FOR AIR CONDITIONING, REFRIGERATION, IRRIGATION, DECANTING, PRESSURISATION SYSTEMS, AND INDUSTRIAL APPLICATIONS

Pumped liquid temperature range: from -10 °C to +140 °C - Maximum ambient temperature: +40°C

= 1450 1/min



See hydraulic efficiency details on page 291.

The performance curves are based on kinematic viscosity values = 1 mm²/s and density equal to 1000 kg/m³. Curve tolerance according to ISO 9906.

| MODEL | ELECTRICAL DATA | | | | | |
|------------|-----------------------|------------|----------------------|-----------|-----|------------|
| | POWER (kW) 4 POLES | MOTOR SIZE | POWER INPUT 50 Hz | In A | | MOTOR TYPE |
| | | | | IE2 | IE3 | |
| KDN 80-160 | 1.1 | MEC 90S | 3 x 230 - 400 V ~ | 4.68/2.19 | - | IE2 |
| | 1.5 | MEC 90L | 3 x 230 - 400 V ~ | 6.24/3.16 | - | IE2 |
| | 2.2 | MEC 100L | 3 x 230 - 400 V ~ | 8.75/5.15 | - | IE2 |
| | 3 | MEC 100L | 3 x 400 V - Δ | 6.25 | - | IE2 |
| | 4 | MEC 112M | 3 x 400 V - Δ | 7.95 | - | IE2 |
| | 5.5 | MEC 132S | 3 x 400 V - Δ | 10.6 | - | IE2 |

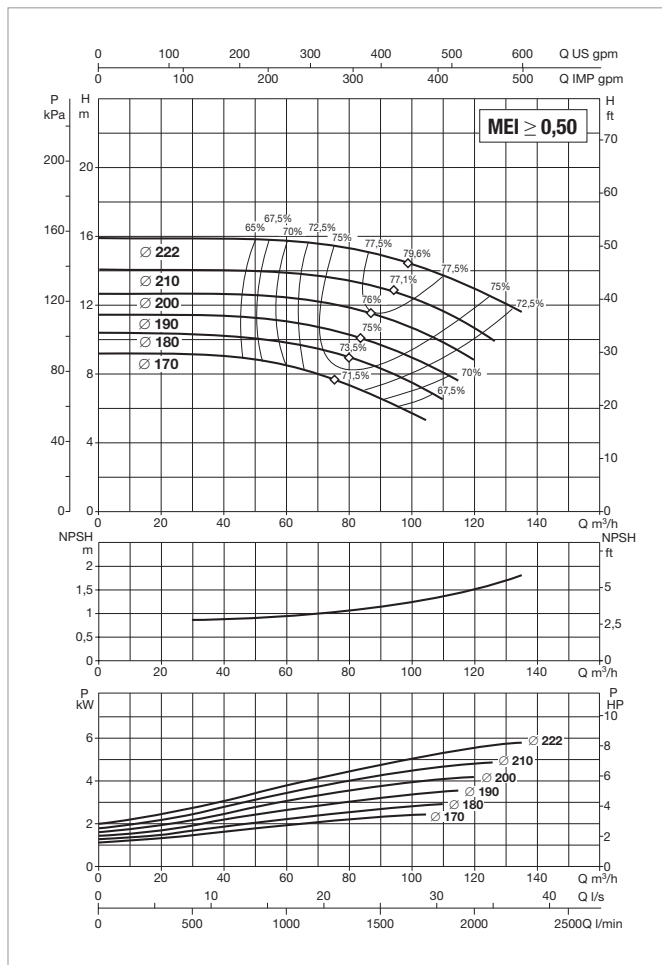
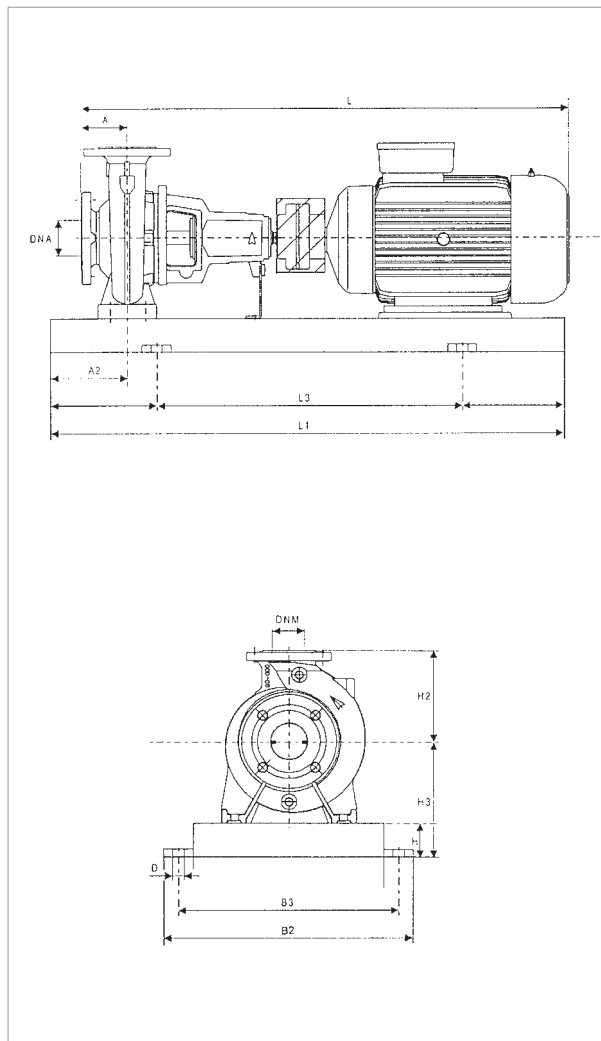
| MODEL | POWER (kW) | UNIT DIMENSIONS (mm) | | | | | | | | | | FLANGE DIMENSIONS (mm) | | STANDARD COUPLING | | | | SPACER COUPLING | | | | REF. |
|------------|------------|----------------------|----|-----|----|-----|------|-----|-----|-----|----|------------------------|-----|-------------------|-----------|-----|-----------|-----------------|-----------|-----|-----------|------|
| | | A | A2 | H2 | H | H3 | L1 | L3 | B2 | B3 | D | DnA | DnM | IE2 | | IE3 | | IE2 | | IE3 | | |
| | | | | | | | | | | | | | | L | WEIGHT kg | L | WEIGHT kg | L | WEIGHT kg | L | WEIGHT kg | |
| KDN 80-160 | 1.1 | 125 | 75 | 225 | 80 | 260 | 1000 | 660 | 450 | 400 | 24 | 100 | 80 | 835 | 125 | - | - | 975 | 133 | - | - | 4 |
| | 1.5 | 125 | 75 | 225 | 80 | 260 | 1000 | 660 | 450 | 400 | 24 | 100 | 80 | 875 | 127 | - | - | 1015 | 135 | - | - | 4 |
| | 2.2 | 125 | 75 | 225 | 80 | 260 | 1000 | 660 | 450 | 400 | 24 | 100 | 80 | 875 | 139 | - | - | 1015 | 147 | - | - | 4 |
| | 3 | 125 | 75 | 225 | 80 | 260 | 1000 | 660 | 450 | 400 | 24 | 100 | 80 | 875 | 138 | - | - | 1015 | 146 | - | - | 4 |
| | 4 | 125 | 75 | 225 | 80 | 260 | 1000 | 660 | 450 | 400 | 24 | 100 | 80 | 960 | 138 | - | - | 1100 | 146 | - | - | 4 |
| | 5.5 | 125 | 75 | 225 | 80 | 260 | 1120 | 740 | 490 | 440 | 24 | 100 | 80 | 960 | 163 | - | - | 1100 | 171 | - | - | 5 |

Dimension and electrical data based on sizing definition following the instructions on page 96.

KDN 80-200 - 4 POLES - STANDARDISED CENTRIFUGAL ELECTRIC PUMPS FOR AIR CONDITIONING, REFRIGERATION, IRRIGATION, DECANTING, PRESSURISATION SYSTEMS, AND INDUSTRIAL APPLICATIONS

Pumped liquid temperature range: from -10 °C to +140 °C - Maximum ambient temperature: +40°C

= 1450 1/min



See hydraulic efficiency details on page 291.

The performance curves are based on kinematic viscosity values = 1 mm²/s and density equal to 1000 kg/m³. Curve tolerance according to ISO 9906.

| MODEL | ELECTRICAL DATA | | | | | |
|------------|-----------------|------------|-------------------|-----------|------|------------|
| | POWER (kW) | MOTOR SIZE | POWER INPUT 50 Hz | In A | | MOTOR TYPE |
| | 4 POLES | | | IE2 | IE3 | |
| KDN 80-200 | 1.5 | MEC 90L | 3 x 230 - 400 V ~ | 6.24/3.17 | - | IE2 |
| | 2.2 | MEC 100L | 3 x 230 - 400 V ~ | 8.75/5.16 | - | IE2 |
| | 3 | MEC 100L | 3 x 400 V - Δ | 6.25 | - | IE2 |
| | 4 | MEC 112M | 3 x 400 V - Δ | 7.95 | - | IE2 |
| | 5.5 | MEC 132S | 3 x 400 V - Δ | 10.6 | - | IE2 |
| | 7.5 | MEC 132M | 3 x 400 V - Δ | 14.2 | 14.6 | IE2 / IE3 |
| | 11 | MEC 160M | 3 x 400 V - Δ | 21.6 | 20.5 | IE2 / IE3 |

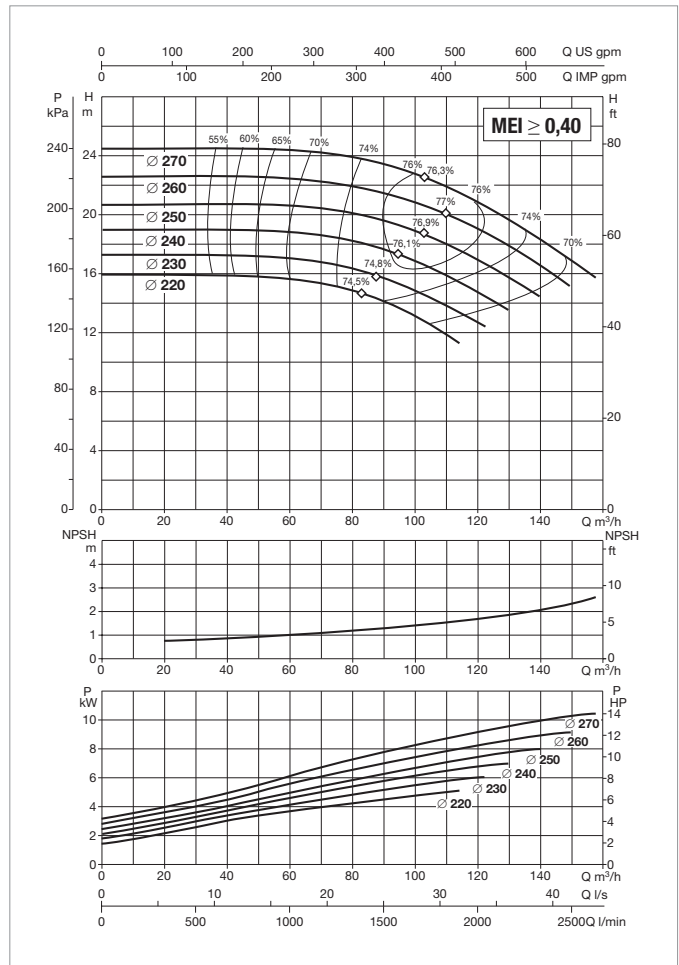
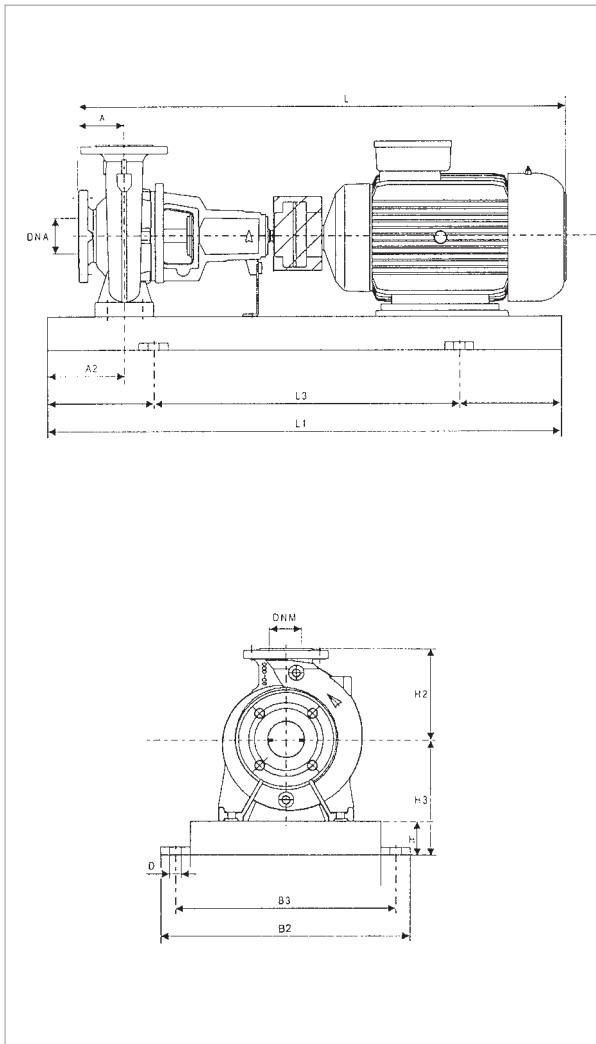
| MODEL | POWER (kW) | UNIT DIMENSIONS (mm) | | | | | | | | | | FLANGE DIMENSIONS (mm) | | STANDARD COUPLING | | | | SPACER COUPLING | | | | REF. |
|------------|------------|----------------------|-----------|-----|-----------|-----|-----------|-----|-----------|-----|-----------|------------------------|-----------|-------------------|-----------|------|-----------|-----------------|-----------|------|-----|------|
| | | A | A2 | H2 | H | H3 | L1 | L3 | B2 | B3 | D | DN A | DN M | IE2 | | IE3 | | IE2 | | IE3 | | |
| | | L | WEIGHT kg | L | WEIGHT kg | L | WEIGHT kg | L | WEIGHT kg | L | WEIGHT kg | L | WEIGHT kg | L | WEIGHT kg | L | WEIGHT kg | L | WEIGHT kg | | | |
| KDN 80-200 | 1.5 | 125 | 75 | 250 | 80 | 260 | 1120 | 740 | 490 | 440 | 24 | 100 | 80 | 985 | 161 | - | - | 1125 | 169 | - | - | 5 |
| | 2.2 | 125 | 75 | 250 | 80 | 260 | 1120 | 740 | 490 | 440 | 24 | 100 | 80 | 985 | 166 | - | - | 1125 | 174 | - | - | 5 |
| | 3 | 125 | 75 | 250 | 80 | 260 | 1120 | 740 | 490 | 440 | 24 | 100 | 80 | 985 | 168 | - | - | 1125 | 176 | - | - | 5 |
| | 4 | 125 | 75 | 250 | 80 | 260 | 1120 | 740 | 490 | 440 | 24 | 100 | 80 | 1070 | 188 | - | - | 1210 | 196 | - | - | 5 |
| | 5.5 | 125 | 75 | 250 | 80 | 260 | 1120 | 740 | 490 | 440 | 24 | 100 | 80 | 1070 | 188 | - | - | 1210 | 196 | - | - | 5 |
| | 7.5 | 125 | 75 | 250 | 80 | 260 | 1120 | 740 | 490 | 440 | 24 | 100 | 80 | 1110 | 188 | 1117 | 169 | 1250 | 196 | 1257 | 177 | 5 |
| | 11 | 125 | 75 | 250 | 80 | 260 | 1250 | 840 | 540 | 490 | 24 | 100 | 80 | 1215 | 197 | 1215 | 171 | 1355 | 205 | 1355 | 179 | 6 |

Dimension and electrical data based on sizing definition following the instructions on page 96.

KDN 80-250 - 4 POLES - STANDARDISED CENTRIFUGAL ELECTRIC PUMPS FOR AIR CONDITIONING, REFRIGERATION, IRRIGATION, DECANTING, PRESSURISATION SYSTEMS, AND INDUSTRIAL APPLICATIONS

Pumped liquid temperature range: from -10 °C to +140 °C - Maximum ambient temperature: +40°C

= 1450 1/min



See hydraulic efficiency details on page 291.

The performance curves are based on kinematic viscosity values = 1 mm²/s and density equal to 1000 kg/m³. Curve tolerance according to ISO 9906.

| MODEL | ELECTRICAL DATA | | | | | |
|------------|-----------------|------------|-------------------|------|------|------------|
| | POWER (kW) | MOTOR SIZE | POWER INPUT 50 Hz | In A | | MOTOR TYPE |
| | 4 POLES | | | IE2 | IE3 | |
| KDN 80-250 | 4 | MEC 112M | 3 x 400 V - Δ | 7.95 | - | IE2 |
| | 5.5 | MEC 132S | 3 x 400 V - Δ | 10.6 | - | IE2 |
| | 7.5 | MEC 132M | 3 x 400 V - Δ | 14.2 | 14.6 | IE2 / IE3 |
| | 11 | MEC 160M | 3 x 400 V - Δ | 21.6 | 20.5 | IE2 / IE3 |
| | 15 | MEC 160L | 3 x 400 V - Δ | 29 | 28 | IE2 / IE3 |

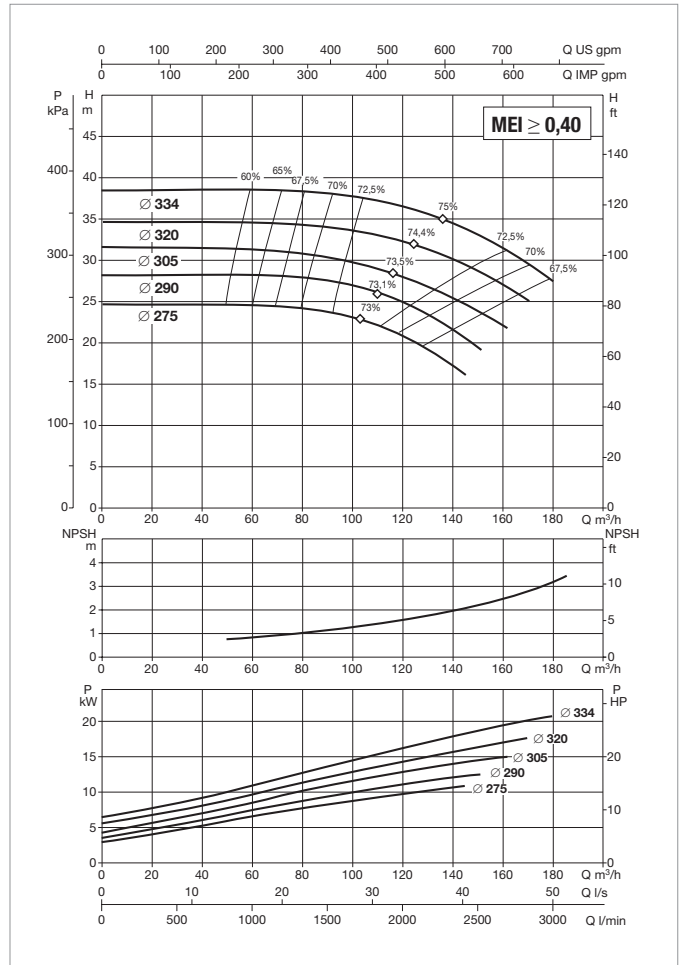
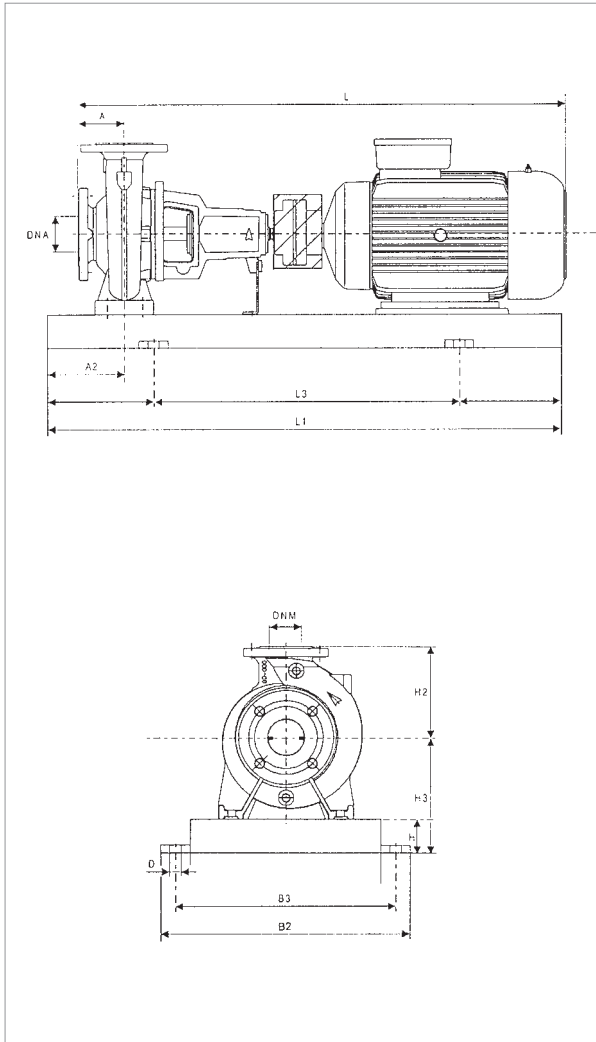
| MODEL | POWER (kW) | UNIT DIMENSIONS (mm) | | | | | | | | | | FLANGE DIMENSIONS (mm) | | STANDARD COUPLING | | | | SPACER COUPLING | | | | REF. |
|------------|------------|----------------------|-----------|-----|-----------|-----|-----------|-----|-----------|-----|-----------|------------------------|-----------|-------------------|-----------|------|-----------|-----------------|-----------|------|-----|------|
| | | A | A2 | H2 | H | H3 | L1 | L3 | B2 | B3 | D | DN A | DN M | IE2 | | IE3 | | IE2 | | IE3 | | |
| | | L | WEIGHT kg | L | WEIGHT kg | L | WEIGHT kg | L | WEIGHT kg | L | WEIGHT kg | L | WEIGHT kg | L | WEIGHT kg | L | WEIGHT kg | L | WEIGHT kg | | | |
| KDN 80-250 | 4 | 125 | 90 | 280 | 80 | 280 | 1250 | 840 | 540 | 490 | 24 | 100 | 80 | 1070 | 219 | - | - | 1210 | 227 | - | - | 6 |
| | 5.5 | 125 | 90 | 280 | 80 | 280 | 1250 | 840 | 540 | 490 | 24 | 100 | 80 | 1070 | 219 | - | - | 1210 | 227 | - | - | 6 |
| | 7.5 | 125 | 90 | 280 | 80 | 280 | 1250 | 840 | 540 | 490 | 24 | 100 | 80 | 1110 | 219 | 1117 | 200 | 1250 | 227 | 1257 | 208 | 6 |
| | 11 | 125 | 90 | 280 | 80 | 280 | 1250 | 840 | 540 | 490 | 24 | 100 | 80 | 1215 | 258 | 1215 | 232 | 1355 | 266 | 1355 | 240 | 6 |
| | 15 | 125 | 90 | 280 | 80 | 280 | 1250 | 840 | 540 | 490 | 24 | 100 | 80 | 1220 | 277 | 1258 | 252 | 1360 | 285 | 1398 | 260 | 6 |

Dimension and electrical data based on sizing definition following the instructions on page 96.

KDN 80-315 - 4 POLES - STANDARDISED CENTRIFUGAL ELECTRIC PUMPS FOR AIR CONDITIONING, REFRIGERATION, IRRIGATION, DECANTING, PRESSURISATION SYSTEMS, AND INDUSTRIAL APPLICATIONS

Pumped liquid temperature range: from -10 °C to +140 °C - Maximum ambient temperature: +40°C

= 1450 1/min



See hydraulic efficiency details on page 291.

The performance curves are based on kinematic viscosity values = 1 mm²/s and density equal to 1000 kg/m³. Curve tolerance according to ISO 9906.

| MODEL | ELECTRICAL DATA | | | | | |
|------------|-----------------|------------|-------------------|------|------|------------|
| | POWER (kW) | MOTOR SIZE | POWER INPUT 50 Hz | In A | | MOTOR TYPE |
| | 4 POLES | | | IE2 | IE3 | |
| KDN 80-315 | 7.5 | MEC 132M | 3 x 400 V - Δ | 14.2 | 14.6 | IE2 / IE3 |
| | 11 | MEC 160M | 3 x 400 V - Δ | 21.6 | 20.5 | IE2 / IE3 |
| | 15 | MEC 160L | 3 x 400 V - Δ | 29 | 28 | IE2 / IE3 |
| | 18.5 | MEC 180M | 3 x 400 V - Δ | 33 | 34 | IE2 / IE3 |
| | 22 | MEC 180L | 3 x 400 V - Δ | 40 | 40.5 | IE2 / IE3 |
| | 30 | MEC 200L | 3 x 400 V - Δ | 53.5 | 53.5 | IE2 / IE3 |

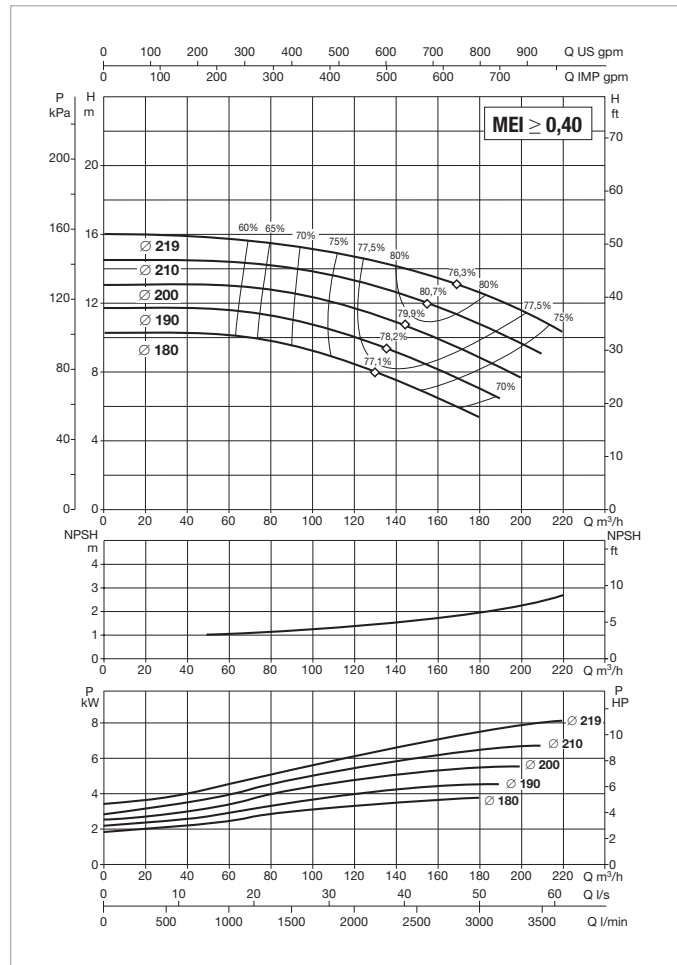
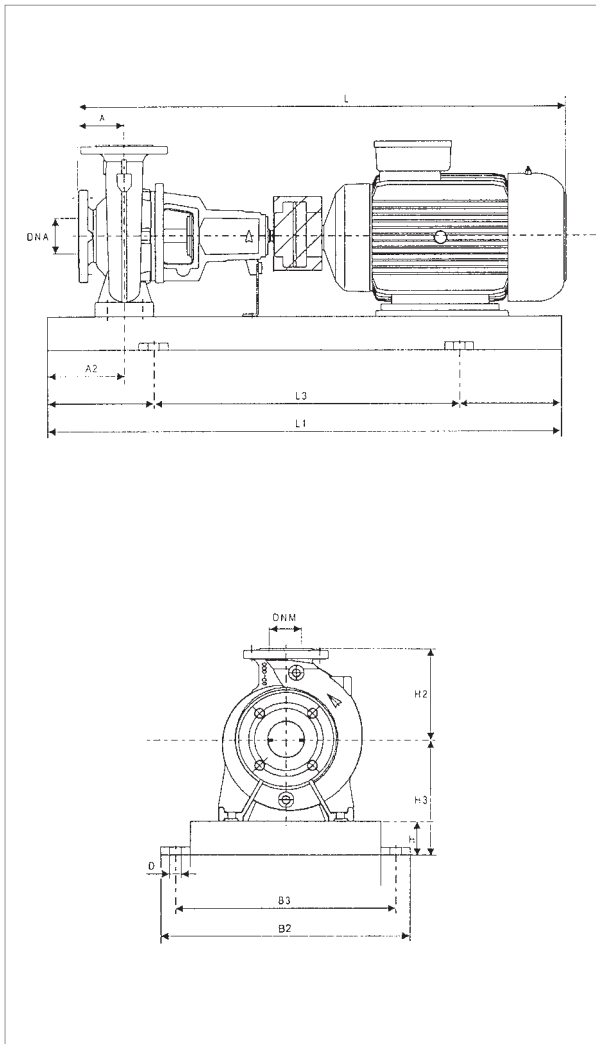
| MODEL | POWER (kW) | UNIT DIMENSIONS (mm) | | | | | | | | | | FLANGE DIMENSIONS (mm) | | STANDARD COUPLING | | | | SPACER COUPLING | | | | REF. |
|------------|------------|----------------------|-----------|-----|-----------|-----|-----------|-----|-----------|-----|-----------|------------------------|------|-------------------|-----|------|-----|-----------------|-----|------|-----|------|
| | | A | A2 | H2 | H | H3 | L1 | L3 | B2 | B3 | D | DN A | DN M | IE2 | | IE3 | | IE2 | | IE3 | | |
| | | L | WEIGHT kg | L | WEIGHT kg | L | WEIGHT kg | L | WEIGHT kg | L | WEIGHT kg | | | | | | | | | | | |
| KDN 80-315 | 7.5 | 125 | 90 | 315 | 80 | 330 | 1250 | 840 | 540 | 490 | 24 | 100 | 80 | 1110 | 390 | 1117 | 371 | 1250 | 398 | 1257 | 379 | 6 |
| | 11 | 125 | 90 | 315 | 80 | 330 | 1250 | 840 | 540 | 490 | 24 | 100 | 80 | 1215 | 390 | 1215 | 364 | 1355 | 398 | 1355 | 372 | 6 |
| | 15 | 125 | 90 | 315 | 100 | 350 | 1400 | 940 | 610 | 550 | 28 | 100 | 80 | 1220 | 390 | 1258 | 365 | 1360 | 398 | 1398 | 373 | 7 |
| | 18.5 | 125 | 90 | 315 | 100 | 350 | 1400 | 940 | 610 | 550 | 28 | 100 | 80 | 1290 | 409 | 1290 | 378 | 1430 | 417 | 1430 | 386 | 7 |
| | 22 | 125 | 90 | 315 | 100 | 350 | 1400 | 940 | 610 | 550 | 28 | 100 | 80 | 1328 | 348 | 1328 | 318 | 1468 | 356 | 1468 | 326 | 7 |
| | 30 | 125 | 90 | 315 | 100 | 350 | 1400 | 940 | 610 | 550 | 28 | 100 | 80 | 1370 | 384 | 1380 | 384 | 1510 | 392 | 1520 | 392 | 7 |

Dimension and electrical data based on sizing definition following the instructions on page 96.

KDN 100-200 - 4 POLES - STANDARDISED CENTRIFUGAL ELECTRIC PUMPS FOR AIR CONDITIONING, REFRIGERATION, IRRIGATION, DECANTING, PRESSURISATION SYSTEMS, AND INDUSTRIAL APPLICATIONS

Pumped liquid temperature range: from -10 °C to +140 °C - Maximum ambient temperature: +40°C

= 1450 1/min



See hydraulic efficiency details on page 291.

The performance curves are based on kinematic viscosity values = 1 mm²/s and density equal to 1000 kg/m³. Curve tolerance according to ISO 9906.

| MODEL | ELECTRICAL DATA | | | | | |
|-------------|-----------------|------------|-------------------|------|------|------------|
| | POWER (kW) | MOTOR SIZE | POWER INPUT 50 Hz | In A | | MOTOR TYPE |
| | 4 POLES | | | IE2 | IE3 | |
| KDN 100-200 | 3 | MEC 100L | 3 x 400 V - Δ | 6.25 | - | IE2 |
| | 4 | MEC 112M | 3 x 400 V - Δ | 7.95 | - | IE2 |
| | 5.5 | MEC 132S | 3 x 400 V - Δ | 10.6 | - | IE2 |
| | 7.5 | MEC 132M | 3 x 400 V - Δ | 14.2 | 14.6 | IE2 / IE3 |
| | 11 | MEC 160M | 3 x 400 V - Δ | 21.6 | 20.5 | IE2 / IE3 |
| | 15 | MEC 160L | 3 x 400 V - Δ | 29 | 28 | IE2 / IE3 |

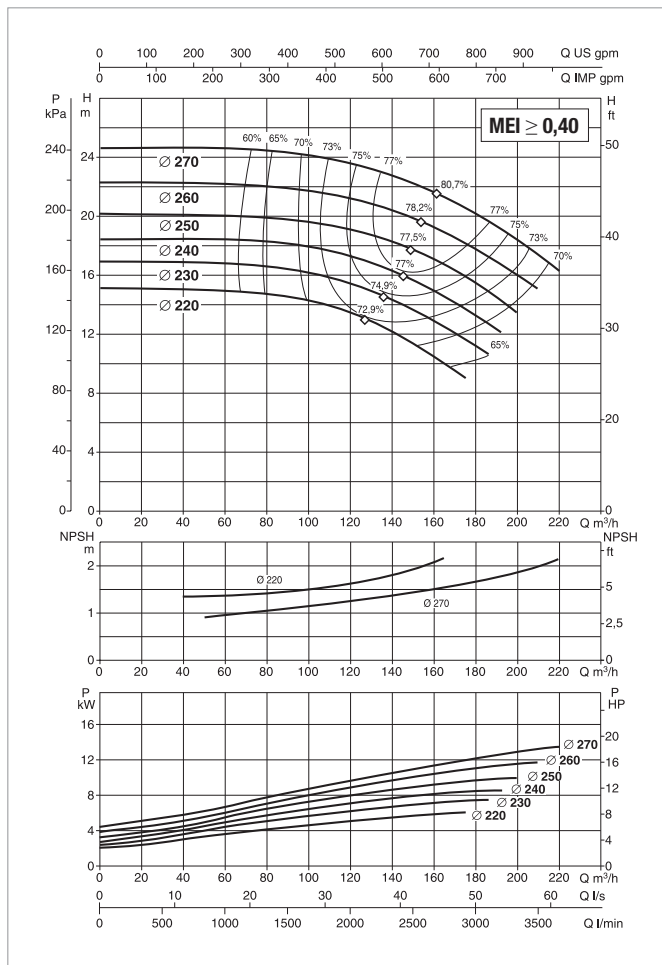
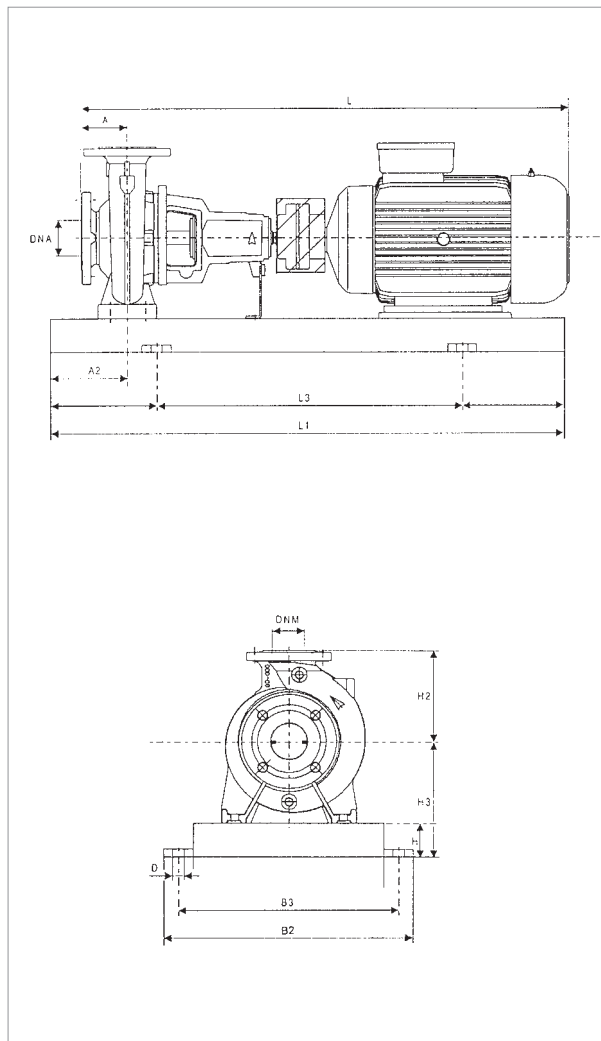
| MODEL | POWER (kW) | UNIT DIMENSIONS (mm) | | | | | | | | | | FLANGE DIMENSIONS (mm) | | STANDARD COUPLING | | | | SPACER COUPLING | | | | REF. |
|-------------|------------|----------------------|-----------|-----|-----------|-----|-----------|-----|-----------|-----|-----------|------------------------|-----------|-------------------|-----------|------|-----------|-----------------|-----------|------|-----|------|
| | | A | A2 | H2 | H | H3 | L1 | L3 | B2 | B3 | D | DNA | DNM | IE2 | | IE3 | | IE2 | | IE3 | | |
| | | L | WEIGHT kg | L | WEIGHT kg | L | WEIGHT kg | L | WEIGHT kg | L | WEIGHT kg | L | WEIGHT kg | L | WEIGHT kg | L | WEIGHT kg | L | WEIGHT kg | | | |
| KDN 100-200 | 3 | 125 | 90 | 280 | 80 | 280 | 1120 | 740 | 490 | 440 | 24 | 125 | 100 | 985 | 181 | - | - | 1125 | 189 | - | - | 5 |
| | 4 | 100 | 90 | 280 | 80 | 280 | 1120 | 740 | 490 | 440 | 24 | 125 | 100 | 1070 | 188 | - | - | 1210 | 196 | - | - | 5 |
| | 5.5 | 100 | 90 | 280 | 80 | 280 | 1120 | 740 | 490 | 440 | 24 | 125 | 100 | 1070 | 214 | - | - | 1210 | 222 | - | - | 5 |
| | 7.5 | 100 | 90 | 280 | 80 | 280 | 1120 | 740 | 490 | 440 | 24 | 125 | 100 | 1110 | 209 | 1117 | 190 | 1250 | 217 | 1257 | 198 | 5 |
| | 11 | 100 | 90 | 280 | 80 | 280 | 1250 | 840 | 540 | 490 | 24 | 125 | 100 | 1215 | 307 | 1215 | 281 | 1355 | 315 | 1355 | 289 | 6 |
| | 15 | 100 | 90 | 280 | 80 | 280 | 1250 | 840 | 540 | 490 | 24 | 125 | 100 | 1220 | 380 | 1258 | 355 | 1360 | 388 | 1398 | 363 | 6 |

Dimension and electrical data based on sizing definition following the instructions on page 96.

KDN 100-250 - 4 POLES - STANDARDISED CENTRIFUGAL ELECTRIC PUMPS FOR AIR CONDITIONING, REFRIGERATION, IRRIGATION, DECANTING, PRESSURISATION SYSTEMS, AND INDUSTRIAL APPLICATIONS

Pumped liquid temperature range: from -10 °C to +140 °C - Maximum ambient temperature: +40°C

= 1450 1/min



See hydraulic efficiency details on page 291.

The performance curves are based on kinematic viscosity values = 1 mm²/s and density equal to 1000 kg/m³. Curve tolerance according to ISO 9906.

| MODEL | ELECTRICAL DATA | | | | | |
|-------------|-----------------|------------|-------------------|------|------|------------|
| | POWER (kW) | MOTOR SIZE | POWER INPUT 50 Hz | In A | | MOTOR TYPE |
| | 4 POLES | | | IE2 | IE3 | |
| KDN 100-250 | 5.5 | MEC 132S | 3 x 400 V - Δ | 10.6 | - | IE2 |
| | 7.5 | MEC 132M | 3 x 400 V - Δ | 14.2 | 14.6 | IE2 / IE3 |
| | 11 | MEC 160M | 3 x 400 V - Δ | 21.6 | 20.5 | IE2 / IE3 |
| | 15 | MEC 160L | 3 x 400 V - Δ | 29 | 28 | IE2 / IE3 |
| | 18.5 | MEC 180M | 3 x 400 V - Δ | 33 | 34 | IE2 / IE3 |

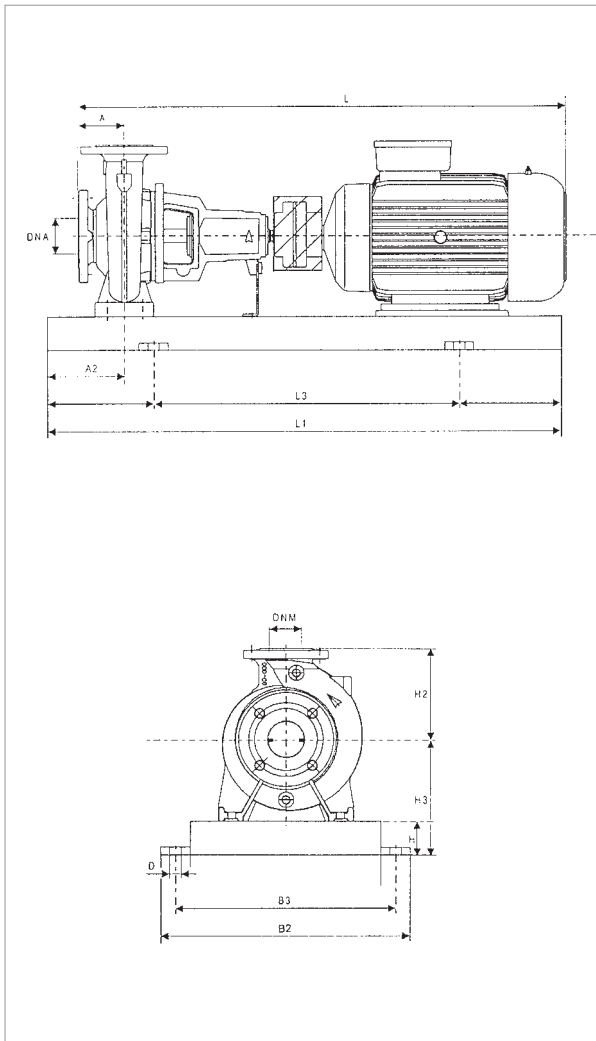
| MODEL | POWER (kW) | UNIT DIMENSIONS (mm) | | | | | | | | | | FLANGE DIMENSIONS (mm) | | STANDARD COUPLING | | | | SPACER COUPLING | | | | REF. |
|-------------|------------|----------------------|-----------|-----|-----------|-----|-----------|-----|-----------|-----|----|------------------------|-----|-------------------|-----|------|-----|-----------------|-----|------|-----|------|
| | | A | A2 | H2 | H | H3 | L1 | L3 | B2 | B3 | D | DNA | DNM | IE2 | | IE3 | | IE2 | | IE3 | | |
| | | L | WEIGHT kg | L | WEIGHT kg | L | WEIGHT kg | L | WEIGHT kg | | | | | | | | | | | | | |
| KDN 100-250 | 5.5 | 140 | 90 | 280 | 80 | 305 | 1250 | 840 | 540 | 490 | 24 | 125 | 100 | 1085 | 241 | - | - | 1225 | 249 | - | - | 6 |
| | 7.5 | 140 | 90 | 280 | 80 | 305 | 1250 | 840 | 540 | 490 | 24 | 125 | 100 | 1125 | 250 | 1132 | 231 | 1265 | 258 | 1272 | 239 | 6 |
| | 11 | 140 | 90 | 280 | 80 | 305 | 1250 | 840 | 540 | 490 | 24 | 125 | 100 | 1230 | 292 | 1230 | 266 | 1370 | 300 | 1370 | 274 | 6 |
| | 15 | 140 | 90 | 280 | 100 | 325 | 1400 | 940 | 610 | 550 | 28 | 125 | 100 | 1235 | 300 | 1273 | 275 | 1375 | 308 | 1413 | 283 | 7 |
| | 18.5 | 140 | 90 | 280 | 100 | 325 | 1400 | 940 | 610 | 550 | 28 | 125 | 100 | 1305 | 578 | 1305 | 547 | 1445 | 586 | 1445 | 555 | 7 |

Dimension and electrical data based on sizing definition following the instructions on page 96.

KDN 100-315 - 4 POLES - STANDARDISED CENTRIFUGAL ELECTRIC PUMPS FOR AIR CONDITIONING, REFRIGERATION, IRRIGATION, DECANTING, PRESSURISATION SYSTEMS, AND INDUSTRIAL APPLICATIONS

Pumped liquid temperature range: from -10 °C to +140 °C - Maximum ambient temperature: +40°C

= 1450 1/min



See hydraulic efficiency details on page 291.

The performance curves are based on kinematic viscosity values = 1 mm²/s and density equal to 1000 kg/m³. Curve tolerance according to ISO 9906.

| MODEL | ELECTRICAL DATA | | | | | |
|-------------|-----------------------|------------|----------------------|------|------|------------|
| | POWER (kW) 4 POLES | MOTOR SIZE | POWER INPUT 50 Hz | In A | | MOTOR TYPE |
| | | | | IE2 | IE3 | |
| KDN 100-315 | 11 | MEC 160M | 3 x 400 V - Δ | 21.6 | 20.5 | IE2 / IE3 |
| | 15 | MEC 160L | 3 x 400 V - Δ | 29 | 28 | IE2 / IE3 |
| | 18.5 | MEC 180M | 3 x 400 V - Δ | 33 | 34 | IE2 / IE3 |
| | 22 | MEC 180L | 3 x 400 V - Δ | 40 | 40.5 | IE2 / IE3 |
| | 30 | MEC 200L | 3 x 400 V - Δ | 53.5 | 53.5 | IE2 / IE3 |
| | 37 | MEC 225S | 3 x 400 V - Δ | 66.5 | 65 | IE2 / IE3 |

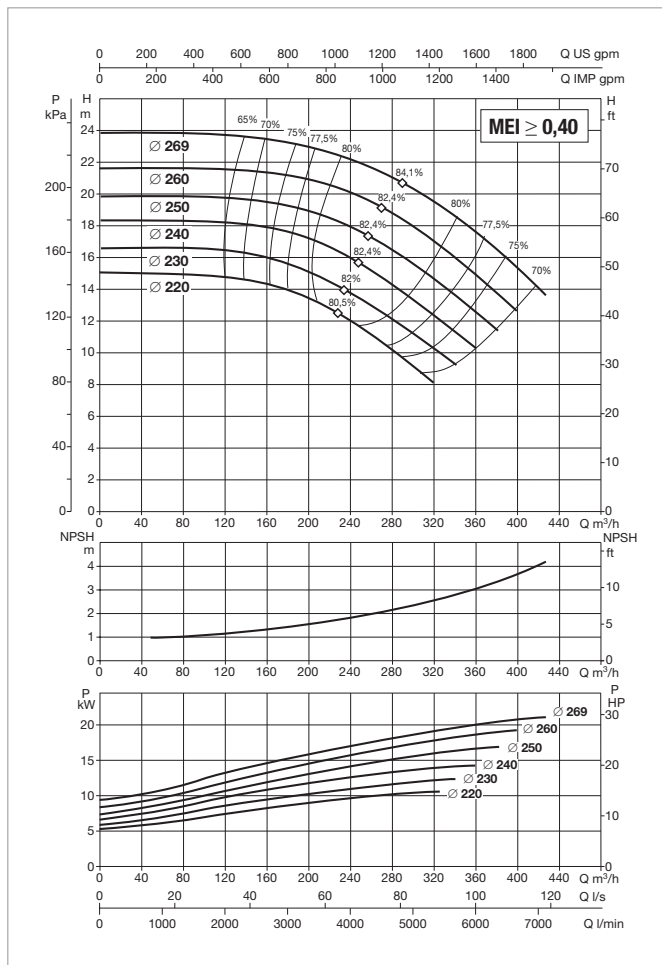
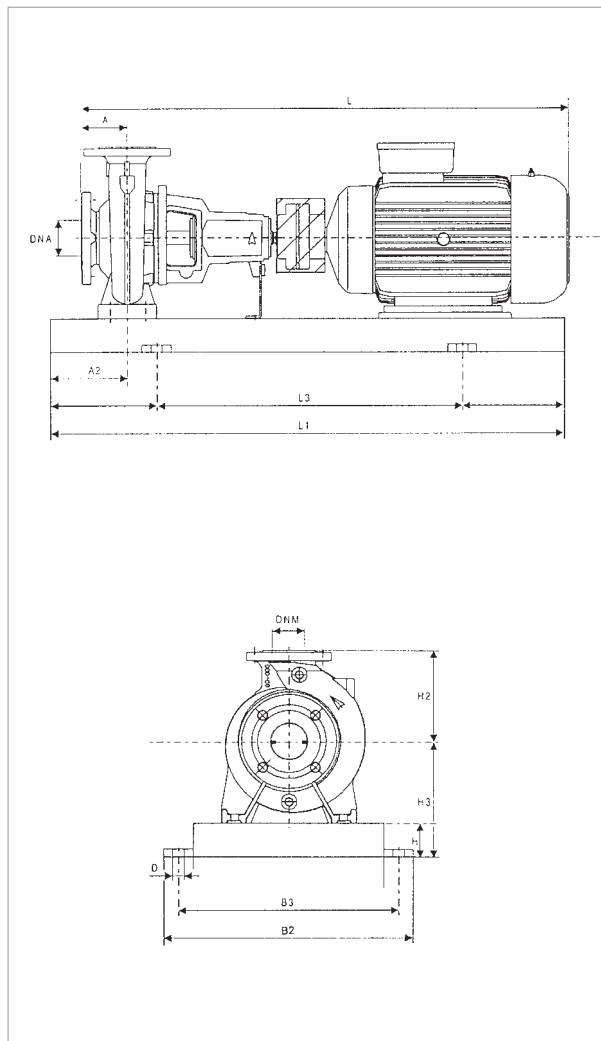
| MODEL | POWER (kW) | UNIT DIMENSIONS (mm) | | | | | | | | | | FLANGE DIMENSIONS (mm) | | STANDARD COUPLING | | | | SPACER COUPLING | | | | REF. |
|-------------|------------|----------------------|----|-----|-----|-----|------|-----|-----|-----|----|------------------------|-----|-------------------|-----------|------|-----------|-----------------|-----------|------|-----------|------|
| | | A | A2 | H2 | H | H3 | L1 | L3 | B2 | B3 | D | DnA | DnM | IE2 | | IE3 | | IE2 | | IE3 | | |
| | | | | | | | | | | | | | | L | WEIGHT kg | L | WEIGHT kg | L | WEIGHT kg | L | WEIGHT kg | |
| KDN 100-315 | 11 | 140 | 90 | 315 | 80 | 330 | 1250 | 840 | 540 | 490 | 24 | 125 | 100 | 1230 | 313 | 1230 | 287 | 1370 | 321 | 1370 | 295 | 6 |
| | 15 | 140 | 90 | 315 | 100 | 350 | 1400 | 940 | 610 | 550 | 28 | 125 | 100 | 1325 | 300 | 1273 | 275 | 1375 | 308 | 1413 | 283 | 7 |
| | 18.5 | 140 | 90 | 315 | 100 | 350 | 1400 | 940 | 610 | 550 | 28 | 125 | 100 | 1305 | 346 | 1305 | 315 | 1445 | 354 | 1445 | 323 | 7 |
| | 22 | 140 | 90 | 315 | 100 | 350 | 1400 | 940 | 610 | 550 | 28 | 125 | 100 | 1343 | 372 | 1343 | 342 | 1483 | 380 | 1483 | 350 | 7 |
| | 30 | 140 | 90 | 315 | 100 | 350 | 1400 | 940 | 610 | 550 | 28 | 125 | 100 | 1385 | 458 | 1395 | 458 | 1525 | 466 | 1535 | 466 | 7 |
| | 37 | 140 | 90 | 315 | 100 | 350 | 1400 | 940 | 610 | 550 | 28 | 125 | 100 | 1430 | 518 | 1440 | 524 | 1570 | 526 | 1580 | 532 | 7 |

Dimension and electrical data based on sizing definition following the instructions on page 96.

KDN 125-250 - 4 POLES - STANDARDISED CENTRIFUGAL ELECTRIC PUMPS FOR AIR CONDITIONING, REFRIGERATION, IRRIGATION, DECANTING, PRESSURISATION SYSTEMS, AND INDUSTRIAL APPLICATIONS

Pumped liquid temperature range: from -10 °C to +140 °C - Maximum ambient temperature: +40°C

= 1450 1/min



See hydraulic efficiency details on page 291.

The performance curves are based on kinematic viscosity values = 1 mm²/s and density equal to 1000 kg/m³. Curve tolerance according to ISO 9906.

| MODEL | ELECTRICAL DATA | | | | | |
|-------------|-----------------------|------------|----------------------|------|------|------------|
| | POWER (kW) 4 POLES | MOTOR SIZE | POWER INPUT 50 Hz | In A | | MOTOR TYPE |
| | | | | IE2 | IE3 | |
| KDN 125-250 | 7.5 | MEC 132M | 3 x 400 V - Δ | 14.2 | 14.6 | IE2 / IE3 |
| | 11 | MEC 160M | 3 x 400 V - Δ | 21.6 | 20.5 | IE2 / IE3 |
| | 15 | MEC 160L | 3 x 400 V - Δ | 29 | 28 | IE2 / IE3 |
| | 18.5 | MEC 180M | 3 x 400 V - Δ | 33 | 34 | IE2 / IE3 |
| | 22 | MEC 180L | 3 x 400 V - Δ | 40 | 40.5 | IE2 / IE3 |
| | 30 | MEC 200L | 3 x 400 V - Δ | 53.5 | 53.5 | IE2 / IE3 |

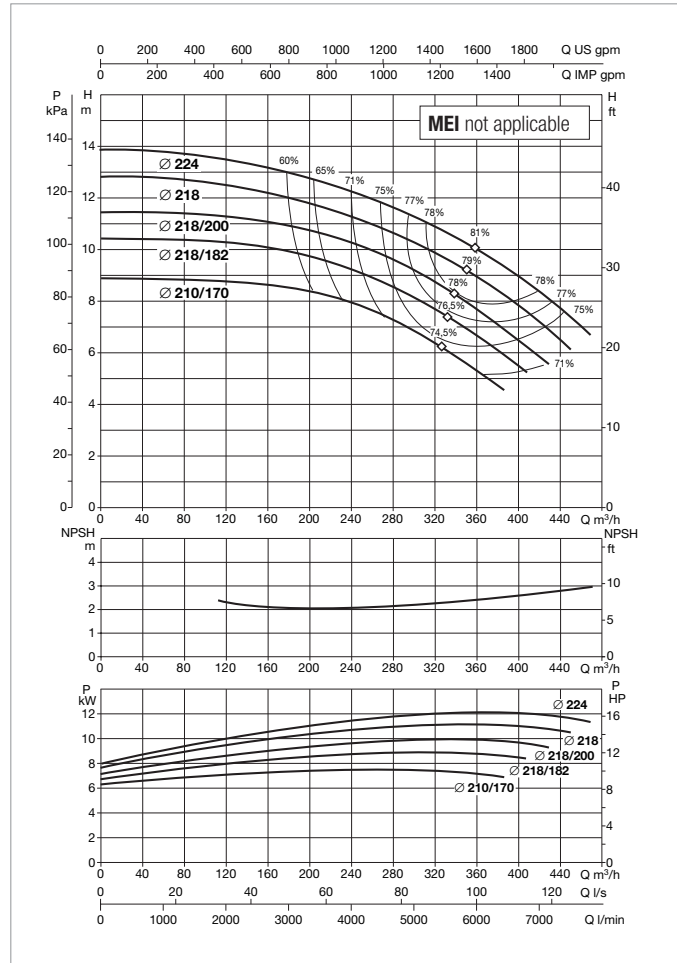
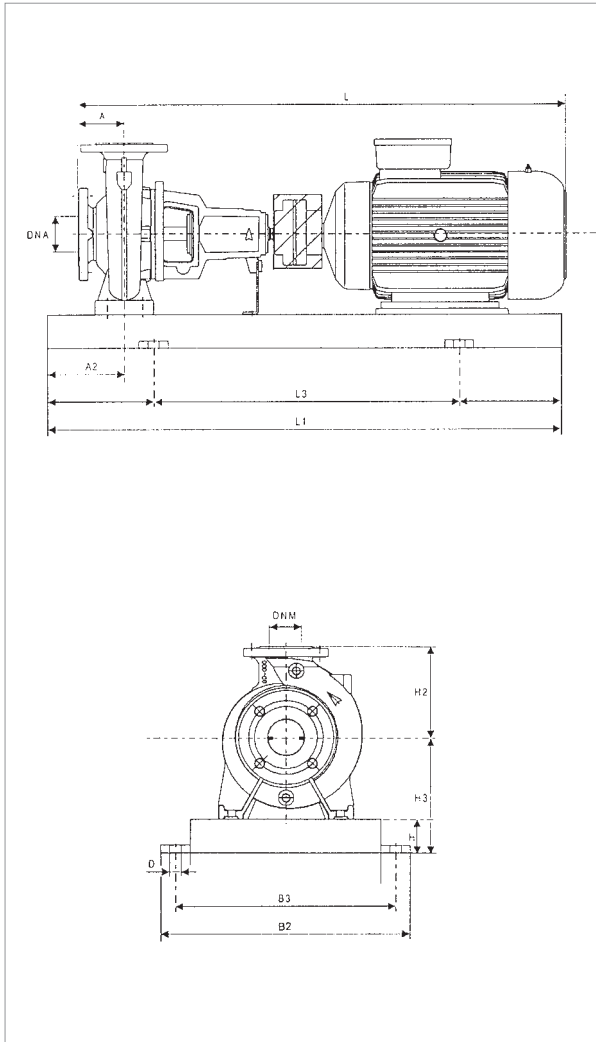
| MODEL | POWER (kW) | UNIT DIMENSIONS (mm) | | | | | | | | | | FLANGE DIMENSIONS (mm) | | STANDARD COUPLING | | | | SPACER COUPLING | | | | REF. |
|-------------|------------|----------------------|----|-----|-----|-----|------|-----|-----|-----|----|------------------------|-----|-------------------|-----------|------|-----------|-----------------|-----------|------|-----------|------|
| | | A | A2 | H2 | H | H3 | L1 | L3 | B2 | B3 | D | DNA | DNM | IE2 | | IE3 | | IE2 | | IE3 | | |
| | | | | | | | | | | | | | | L | WEIGHT kg | L | WEIGHT kg | L | WEIGHT kg | L | WEIGHT kg | |
| KDN 125-250 | 7.5 | 140 | 90 | 355 | 80 | 330 | 1250 | 840 | 540 | 490 | 24 | 150 | 125 | 1125 | 310 | 1132 | 291 | 1265 | 318 | 1272 | 299 | 6 |
| | 11 | 140 | 90 | 355 | 80 | 330 | 1250 | 840 | 540 | 490 | 24 | 150 | 125 | 1230 | 328 | 1230 | 302 | 1370 | 336 | 1370 | 310 | 6 |
| | 15 | 140 | 90 | 355 | 100 | 350 | 1400 | 940 | 610 | 550 | 28 | 150 | 125 | 1235 | 416 | 1273 | 391 | 1375 | 424 | 1413 | 399 | 7 |
| | 18.5 | 140 | 90 | 355 | 100 | 350 | 1400 | 940 | 610 | 550 | 28 | 150 | 125 | 1305 | 422 | 1305 | 391 | 1445 | 430 | 1445 | 399 | 7 |
| | 22 | 140 | 90 | 355 | 100 | 350 | 1400 | 940 | 610 | 550 | 28 | 150 | 125 | 1343 | 463 | 1343 | 433 | 1483 | 471 | 1483 | 441 | 7 |
| | 30 | 140 | 90 | 355 | 100 | 350 | 1400 | 940 | 610 | 550 | 28 | 150 | 125 | 1385 | 511 | 1395 | 511 | 1525 | 519 | 1535 | 519 | 7 |

Dimension and electrical data based on sizing definition following the instructions on page 96.

KDN 150-200 - 4 POLES - STANDARDISED CENTRIFUGAL ELECTRIC PUMPS FOR AIR CONDITIONING, REFRIGERATION, IRRIGATION, DECANTING, PRESSURISATION SYSTEMS, AND INDUSTRIAL APPLICATIONS

Pumped liquid temperature range: from -10 °C to +140 °C - Maximum ambient temperature: +40°C

= 1450 1/min



See hydraulic efficiency details on page 291.

The performance curves are based on kinematic viscosity values = 1 mm²/s and density equal to 1000 kg/m³. Curve tolerance according to ISO 9906.

| MODEL | ELECTRICAL DATA | | | | | |
|-------------|-----------------|------------|-------------------|------|------|------------|
| | POWER (kW) | MOTOR SIZE | POWER INPUT 50 Hz | In A | | MOTOR TYPE |
| | 4 POLES | | | IE2 | IE3 | |
| KDN 150-200 | 5.5 | MEC 132S | 3 x 400 V - Δ | 10.6 | - | IE2 |
| | 7.5 | MEC 132M | 3 x 400 V - Δ | 14.2 | 14.6 | IE2 / IE3 |
| | 11 | MEC 160M | 3 x 400 V - Δ | 21.6 | 20.5 | IE2 / IE3 |
| | 15 | MEC 160L | 3 x 400 V - Δ | 29 | 28 | IE2 / IE3 |
| | 18.5 | MEC 180M | 3 x 400 V - Δ | 33 | 34 | IE2 / IE3 |

| MODEL | POWER (kW) | UNIT DIMENSIONS (mm) | | | | | | | | | | FLANGE DIMENSIONS (mm) | | STANDARD COUPLING | | | | SPACER COUPLING | | | | REF. |
|-------------|------------|----------------------|-----------|-----|-----------|-----|-----------|------|-----------|-----|-----------|------------------------|-----------|-------------------|-----------|------|-----------|-----------------|-----------|------|-----|------|
| | | A | A2 | H2 | H | H3 | L1 | L3 | B2 | B3 | D | DN A | DN M | IE2 | | IE3 | | IE2 | | IE3 | | |
| | | L | WEIGHT kg | L | WEIGHT kg | L | WEIGHT kg | L | WEIGHT kg | L | WEIGHT kg | L | WEIGHT kg | L | WEIGHT kg | L | WEIGHT kg | L | WEIGHT kg | | | |
| KDN 150-200 | 5.5 | 160 | 110 | 400 | 100 | 380 | 1800 | 1200 | 730 | 670 | 28 | 200 | 150 | 1105 | 454 | - | - | 1245 | 462 | - | - | 9 |
| | 7.5 | 160 | 110 | 400 | 100 | 380 | 1800 | 1200 | 730 | 670 | 28 | 200 | 150 | 1145 | 470 | 1152 | 451 | 1285 | 478 | 1292 | 459 | 9 |
| | 11 | 160 | 110 | 400 | 100 | 380 | 1800 | 1200 | 730 | 670 | 28 | 200 | 150 | 1250 | 481 | 1250 | 455 | 1390 | 489 | 1390 | 463 | 9 |
| | 15 | 160 | 110 | 400 | 100 | 380 | 1800 | 1200 | 730 | 670 | 28 | 200 | 150 | 1255 | 501 | 1293 | 476 | 1395 | 509 | 1433 | 484 | 9 |
| | 18.5 | 160 | 110 | 400 | 100 | 380 | 1800 | 1200 | 730 | 670 | 28 | 200 | 150 | 1325 | 535 | 1325 | 504 | 1465 | 543 | 1465 | 512 | 9 |

Dimension and electrical data based on sizing definition following the instructions on page 96.

KDN - 4 POLES

STANDARDISED CENTRIFUGAL ELECTRIC PUMPS

IE2 STANDARD MOTOR ELECTRIC DATA

=1450 1/min

| MOTOR TYPE | P2 NOMINAL kW | SPEED rpm | YIELD % | POWER FACTOR COS φ | POWER INPUT 50 Hz | In A | | Start-up current Ia/In | Start-up torque Ma/Mn | Maximum torque M/k/Mn | POLES |
|------------|---------------|-----------|---------|----------------------------|-------------------|------|------|------------------------|-----------------------|-----------------------|-------|
| | | | | | | 230 | 400 | | | | |
| MEC 71 | 0.25 | 1400 | 60.00 | 0.710 | 3 x 230/400 | 1.60 | 0.90 | 2.88 | 2.15 | 2.26 | 4 |
| MEC 71 | 0.37 | 1340 | 67.00 | 0.780 | 3 x 230/400 | 1.70 | 0.98 | 4.75 | 2.84 | 2.64 | 4 |
| MEC 80 | 0.55 | 1410 | 71.00 | 0.720 | 3 x 230/400 | 2.60 | 1.50 | 5.33 | 2.78 | 2.89 | 4 |
| MEC 80 | 0.75 | 1430 | 79.80 | 0.795 | 3 x 230/400 | 3.57 | 2.06 | 6.65 | 3.58 | 3.54 | 4 |
| MEC 90S | 1.10 | 1440 | 82.20 | 0.723 | 3 x 230/400 | 4.68 | 2.70 | 7.27 | 3.43 | 3.47 | 4 |
| MEC 90L | 1.50 | 1430 | 82.56 | 0.732 | 3 x 230/400 | 6.24 | 3.60 | 6.67 | 3.39 | 3.30 | 4 |
| MEC 100L | 2.20 | 1450 | 83.38 | 0.756 | 3 x 230/400 | 8.75 | 5.05 | 8.40 | 3.45 | 3.75 | 4 |

| MOTOR TYPE | P2 NOMINAL kW | SPEED rpm | YIELD % | POWER FACTOR COS φ | POWER INPUT 50 Hz | In A | | Start-up current Ia/In | Start-up torque Ma/Mn | Maximum torque M/k/Mn | POLES |
|------------|---------------|-----------|---------|----------------------------|-------------------|--------|--------|------------------------|-----------------------|-----------------------|-------|
| | | | | | | 400 | 690 | | | | |
| MEC 100L | 3.00 | 1440 | 86.72 | 0.800 | 3 x 400 Δ | 6.25 | 3.61 | 6.91 | 2.70 | 3.11 | 4 |
| MEC 112M | 4.00 | 1450 | 87.19 | 0.832 | 3 x 400 Δ | 7.95 | 4.59 | 8.72 | 3.17 | 3.53 | 4 |
| MEC 132S | 5.50 | 1460 | 88.78 | 0.851 | 3 x 400 Δ | 10.60 | 6.15 | 7.97 | 2.37 | 3.13 | 4 |
| MEC 132M | 7.50 | 1460 | 89.81 | 0.849 | 3 x 400 Δ | 14.20 | 8.20 | 8.70 | 2.62 | 3.07 | 4 |
| MEC 160M | 11.00 | 1470 | 90.44 | 0.818 | 3 x 400 Δ | 21.60 | 12.47 | 8.32 | 2.70 | 2.95 | 4 |
| MEC 160L | 15.00 | 1470 | 90.48 | 0.834 | 3 x 400 Δ | 29.00 | 16.74 | 8.16 | 2.58 | 2.96 | 4 |
| MEC 180M | 18.50 | 1470 | 92.00 | 0.873 | 3 x 400 Δ | 33.00 | 19.05 | 7.66 | 2.93 | 3.23 | 4 |
| MEC 180L | 22.00 | 1470 | 92.31 | 0.862 | 3 x 400 Δ | 40.00 | 23.09 | 7.86 | 2.63 | 3.19 | 4 |
| MEC 200L | 30.00 | 1480 | 92.80 | 0.874 | 3 x 400 Δ | 53.31 | 30.78 | 8.72 | 3.17 | 3.53 | 4 |
| MEC 225S | 37.00 | 1480 | 93.22 | 0.865 | 3 x 400 Δ | 66.50 | 38.39 | 6.74 | 2.13 | 2.86 | 4 |
| MEC 225M | 45.00 | 1480 | 93.09 | 0.881 | 3 x 400 Δ | 79.50 | 45.90 | 7.53 | 2.34 | 2.92 | 4 |
| MEC 250M | 55.00 | 1490 | 94.22 | 0.843 | 3 x 400 Δ | 98.00 | 56.58 | 8.47 | 2.82 | 3.36 | 4 |
| MEC 280S | 75.00 | 1480 | 94.48 | 0.876 | 3 x 400 Δ | 132.00 | 76.50 | 8.69 | 2.96 | 3.56 | 4 |
| MEC 280M | 90.00 | 1480 | 94.78 | 0.895 | 3 x 400 Δ | 154.00 | 89.00 | 9.49 | 3.42 | 3.80 | 4 |
| MEC 315S | 110.00 | 1490 | 94.70 | 0.877 | 3 x 400 Δ | 195.00 | 112.59 | 7.14 | 2.51 | 3.44 | 4 |
| MEC 315M | 132.00 | 1490 | 94.80 | 0.879 | 3 x 400 Δ | 235.00 | 135.68 | 7.08 | 2.55 | 3.39 | 4 |
| MEC 315L | 160.00 | 1490 | 95.00 | 0.877 | 3 x 400 Δ | 285.00 | 164.55 | 7.18 | 2.67 | 3.40 | 4 |
| MEC 315L | 200.00 | 1490 | 95.10 | 0.874 | 3 x 400 Δ | 350.00 | 202.08 | 7.25 | 2.77 | 3.41 | 4 |
| MEC355M | 250.00 | 1490 | 96.01 | 0.88 | 3 x 400 Δ | 425.00 | 246.40 | 7.27 | 2.42 | 3.50 | 4 |
| MEC355L | 315.00 | 1490 | 95.98 | 0.88 | 3 x 400 Δ | 538.00 | 311.88 | 8.08 | 2.46 | 3.83 | 4 |

KDN - 4 POLES

STANDARDISED CENTRIFUGAL ELECTRIC PUMPS

IE3 STANDARD MOTOR ELECTRIC DATA

=1450 1/min

| MOTOR TYPE | P2 NOMINAL kW | SPEED rpm | YIELD % | POWER FACTOR COS φ | POWER INPUT 50 Hz | In A | | Start-up current Ia/In | Start-up torque Ma/Mn | Maximum torque M/k/Mn | POLES |
|------------|---------------|-----------|---------|----------------------------|-------------------|--------|--------|------------------------|-----------------------|-----------------------|-------|
| | | | | | | 400 | 690 | | | | |
| MEC 132M | 7.50 | 1460 | 90.40 | 0.820 | 3 x 400 Δ | 14.60 | 8.44 | 8.50 | 2.70 | 3.20 | 4 |
| MEC 160M | 11.00 | 1470 | 91.40 | 0.850 | 3 x 400 Δ | 20.50 | 11.85 | 8.40 | 2.90 | 3.10 | 4 |
| MEC 160L | 15.00 | 1470 | 92.10 | 0.850 | 3 x 400 Δ | 28.00 | 16.18 | 8.30 | 2.90 | 3.00 | 4 |
| MEC 180M | 18.50 | 1470 | 92.60 | 0.850 | 3 x 400 Δ | 34.00 | 19.65 | 7.90 | 2.40 | 3.00 | 4 |
| MEC 180L | 22.00 | 1470 | 92.90 | 0.850 | 3 x 400 Δ | 40.50 | 23.41 | 8.30 | 2.60 | 3.10 | 4 |
| MEC 200L | 30.00 | 1470 | 93.60 | 0.870 | 3 x 400 Δ | 53.50 | 30.92 | 8.60 | 2.80 | 3.40 | 4 |
| MEC 225S | 37.00 | 1480 | 93.90 | 0.880 | 3 x 400 Δ | 65.00 | 37.57 | 7.50 | 2.20 | 2.60 | 4 |
| MEC 225M | 45.00 | 1480 | 94.20 | 0.880 | 3 x 400 Δ | 78.50 | 45.38 | 8.00 | 2.50 | 2.80 | 4 |
| MEC 250M | 55.00 | 1480 | 94.60 | 0.870 | 3 x 400 Δ | 96.00 | 55.49 | 8.10 | 2.40 | 2.80 | 4 |
| MEC 280S | 75.00 | 1490 | 95.00 | 0.880 | 3 x 400 Δ | 130.00 | 75.14 | 7.40 | 2.20 | 2.90 | 4 |
| MEC 280M | 90.00 | 1490 | 95.20 | 0.880 | 3 x 400 Δ | 156.00 | 90.17 | 6.80 | 2.10 | 2.60 | 4 |
| MEC 315S | 110.00 | 1490 | 95.40 | 0.860 | 3 x 400 Δ | 190.00 | 109.83 | 6.90 | 2.20 | 3.00 | 4 |
| MEC 315M | 132.00 | 1490 | 95.60 | 0.860 | 3 x 400 Δ | 230.00 | 132.95 | 6.90 | 2.30 | 3.00 | 4 |
| MEC 315L | 160.00 | 1490 | 95.80 | 0.870 | 3 x 400 Δ | 275.00 | 158.96 | 6.90 | 2.30 | 2.90 | 4 |
| MEC 315L | 200.00 | 1490 | 96.00 | 0.880 | 3 x 400 Δ | 340.00 | 196.53 | 6.70 | 2.30 | 2.80 | 4 |
| MEC 355M | 250.00 | 1490 | 96.00 | 0.890 | 3 x 400 Δ | 420.00 | 242.77 | 7.70 | 2.60 | 2.70 | 4 |
| MEC 355L | 315.00 | 1490 | 96.00 | 0.890 | 3 x 400 Δ | 530.00 | 306.36 | 7.80 | 2.80 | 2.70 | 4 |

KDN - 2 POLE RANGE

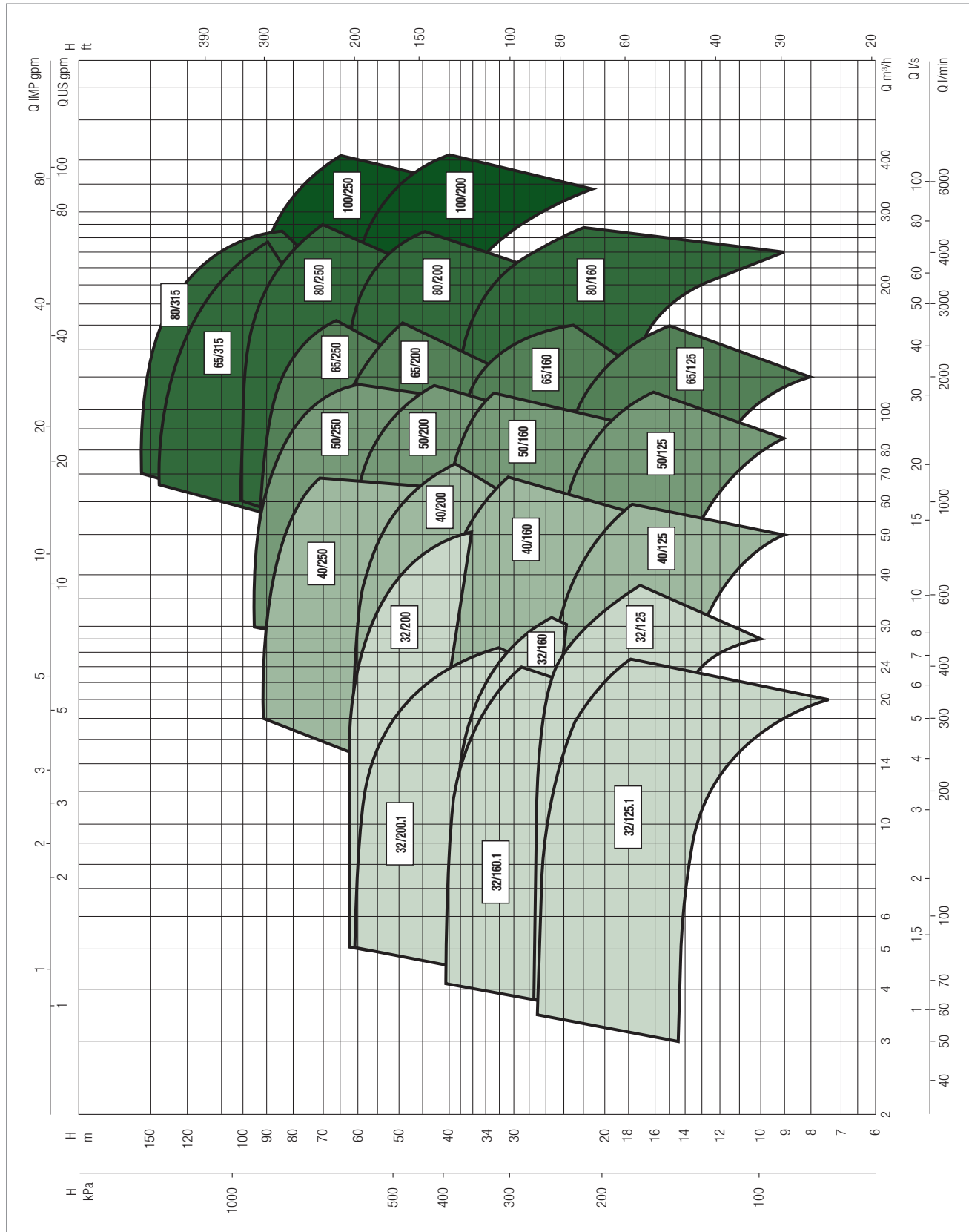
STANDARDISED CENTRIFUGAL ELECTRIC PUMPS

PERFORMANCE RANGE

The performance curves are based on kinematic viscosity values = 1 mm²/s and density equal to 1000 kg/m³. Curve tolerance according to ISO 9906.

GRAPHIC SELECTION TABLE

= 2900 1/min



KDN - 2 POLES

STANDARDISED CENTRIFUGAL ELECTRIC PUMPS

SELECTION TABLE - KDN 32

| MODEL | Q=m ³ /h | 0 | 6 | 12 | 18 | 24 | 30 | 36 | 42 | 48 |
|------------------|---------------------|------|------|------|------|------|------|------|------|-----|
| | Q=l/min | 0 | 100 | 200 | 300 | 400 | 500 | 600 | 700 | 800 |
| KDN 32-125.1/105 | H (m) | 13.8 | 13.6 | 12.3 | 9.7 | | | | | |
| KDN 32-125.1/110 | | 15.5 | 15.2 | 13.9 | 11.5 | | | | | |
| KDN 32-125.1/115 | | 17.1 | 16.8 | 15.5 | 13.2 | | | | | |
| KDN 32-125.1/120 | | 18.8 | 18.5 | 17.3 | 15.1 | | | | | |
| KDN 32-125.1/125 | | 20.5 | 20.3 | 19.1 | 17 | | | | | |
| KDN 32-125.1/130 | | 22.3 | 22.2 | 21.3 | 19 | | | | | |
| KDN 32-125.1/135 | | 24.4 | 24.1 | 23.3 | 21.1 | 17.8 | | | | |
| KDN 32-125.1/140 | | 26.5 | 26.4 | 25.6 | 23.4 | 20.1 | | | | |
| KDN 32-125/115 | | 17.3 | | 16.5 | 15.1 | 12.9 | | | | |
| KDN 32-125/120 | | 19 | | 18.2 | 17 | 14.9 | 11.1 | | | |
| KDN 32-125/125 | | 20.9 | | 20.1 | 18.9 | 16.9 | 13.5 | | | |
| KDN 32-125/130 | | 22.9 | | 22 | 21 | 19.1 | 16.2 | | | |
| KDN 32-125/135 | | 24.9 | | 24 | 22.1 | 21.5 | 18.5 | 14.7 | | |
| KDN 32-125/142 | | 27.8 | | 27 | 26.1 | 24.5 | 21.7 | 18 | | |
| KDN 32-160.1/137 | | 21.5 | 21.2 | 19.3 | | | | | | |
| KDN 32-160.1/145 | | 24.7 | 24.5 | 22.3 | 16.5 | | | | | |
| KDN 32-160.1/153 | | 28.3 | 28 | 26 | 20.5 | | | | | |
| KDN 32-160.1/161 | | 32 | 31.8 | 30 | 25 | | | | | |
| KDN 32-160.1/169 | | 36 | 35.7 | 34.4 | 29.5 | | | | | |
| KDN 32-160.1/177 | | 39.5 | 39.3 | 38.2 | 34.5 | 26 | | | | |
| KDN 32-160/137 | | 23.7 | | 22.6 | 20.7 | 17.6 | | | | |
| KDN 32-160/145 | | 27 | | 25.8 | 23.9 | 21.2 | 16.9 | | | |
| KDN 32-160/153 | | 30.4 | | 29.5 | 27.7 | 25.8 | 21.2 | | | |
| KDN 32-160/161 | | 34 | | 33 | 31.7 | 29.1 | 25.5 | | | |
| KDN 32-160/169 | | 38 | | 37.3 | 36 | 33.6 | 35.7 | 26.5 | | |
| KDN 32-160/177 | | 41.8 | | 41.5 | 40.5 | 38.4 | 35.3 | 31.4 | | |
| KDN 32-200.1/170 | | 34.3 | 34.2 | 31.9 | 23.5 | | | | | |
| KDN 32-200.1/180 | | 39.4 | 39.2 | 36.7 | 30 | | | | | |
| KDN 32-200.1/190 | | 45.3 | 44.7 | 41.5 | 35.5 | | | | | |
| KDN 32-200.1/200 | | 51.5 | 51 | 47.3 | 41 | 35 | | | | |
| KDN 32-200.1/207 | | 55.3 | 55 | 51.8 | 46.4 | 37 | | | | |
| KDN 32-200/170 | | 34 | | 33 | 31 | 27 | 21 | | | |
| KDN 32-200/180 | 39 | | 38.5 | 36.5 | 32.5 | 28 | | | | |
| KDN 32-200/190 | 45 | | 43.5 | 42 | 39 | 34 | 28.5 | | | |
| KDN 32-200/200 | 51 | | 49 | 48 | 45 | 40.5 | 35 | | | |
| KDN 32-200/210 | 57 | | 56 | 55 | 52.5 | 48.5 | 43 | 36 | | |
| KDN 32-200/219 | 63 | | 62 | 61 | 59 | 56.5 | 52.5 | 46.5 | 39.5 | |

KDN - 2 POLES

STANDARDISED CENTRIFUGAL ELECTRIC PUMPS

SELECTION TABLE - KDN 40

| MODEL | Q=m ³ /h | 0 | 6 | 12 | 18 | 24 | 30 | 36 | 42 | 48 | 54 | 60 | 66 | 72 |
|----------------|---------------------|------|-----|------|------|------|------|------|------|------|------|------|------|------|
| | Q=l/min | 0 | 100 | 200 | 300 | 400 | 500 | 600 | 700 | 800 | 900 | 1000 | 1100 | 1200 |
| KDN 40-125/115 | H (m) | 16.8 | | 13.3 | 15.6 | 15 | 14.3 | 13.2 | 12.6 | 9.8 | | | | |
| KDN 40-125/120 | | 18.5 | | 18 | 17.5 | 17 | 16 | 15 | 13.5 | 11.8 | | | | |
| KDN 40-125/125 | | 20.4 | | 20 | 19.5 | 19 | 18 | 16.7 | 15.3 | 13.5 | | | | |
| KDN 40-125/130 | | 22 | | 21.8 | 21.5 | 21 | 20 | 19 | 17.5 | 15.7 | 14 | | | |
| KDN 40-125/135 | | 24.1 | | 24 | 23.9 | 23.4 | 22.5 | 21.5 | 20 | 18.3 | 16.4 | | | |
| KDN 40-125/142 | | 26.8 | | 26.6 | 26.4 | 26 | 25.3 | 24.4 | 23 | 21.4 | 19.4 | 17 | | |
| KDN 40-160/137 | | 23.9 | | | 23.8 | 23 | 22 | 20.5 | 18 | 15 | | | | |
| KDN 40-160/145 | | 27.5 | | | 27.4 | 27 | 25.7 | 24.2 | 22.1 | 19.5 | | | | |
| KDN 40-160/153 | | 31.1 | | | 31 | 30.5 | 29.5 | 28 | 26.5 | 24 | 21 | | | |
| KDN 40-160/161 | | 34.5 | | | 34.5 | 34.4 | 33.7 | 32.3 | 30.5 | 28.5 | 25.8 | 22.5 | | |
| KDN 40-160/169 | | 38.4 | | | 38.4 | 38.2 | 38 | 37 | 35 | 33.5 | 31 | 28 | | |
| KDN 40-160/177 | | 42.6 | | | 42.5 | 42.4 | 42 | 41.5 | 40 | 38.5 | 35 | 33 | 30 | |
| KDN 40-200/170 | | 33.6 | | | 33 | 32.6 | 32 | 30 | 26.5 | 22.5 | | | | |
| KDN 40-200/180 | | 38.8 | | | 38.5 | 38 | 37 | 35 | 32.5 | 29 | 25 | | | |
| KDN 40-200/190 | | 43.4 | | | 43.1 | 43 | 42.7 | 41 | 38 | 35 | 31.5 | 27 | | |
| KDN 40-200/200 | | 48.7 | | | 48.4 | 48.2 | 47.5 | 46.5 | 44 | 41.5 | 38.5 | 34.5 | | |
| KDN 40-200/210 | | 54.3 | | | 54.1 | 54 | 53.6 | 53 | 51 | 48.5 | 46 | 42.5 | 38 | |
| KDN 40-200/219 | | 60 | | | 59.8 | 59.7 | 59.4 | 59 | 57 | 55 | 52.5 | 49.5 | 46 | 40 |
| KDN 40-250/220 | | 63.1 | | | 62.8 | 62.5 | 61 | 59 | 57 | 55 | 52 | 48 | | |
| KDN 40-250/230 | | 69.5 | | | 69.3 | 68.5 | 67.8 | 66 | 63.5 | 61 | 58 | 55 | 51 | |
| KDN 40-250/240 | | 76.3 | | | 76 | 75.8 | 75 | 73 | 70.5 | 68 | 65 | 62 | 58.5 | |
| KDN 40-250/250 | | 82.8 | | | 82.5 | 82 | 81.8 | 80 | 78 | 75.5 | 72.5 | 69 | 66 | |
| KDN 40-250/260 | | 91 | | | 90.5 | 90 | 89.5 | 88.5 | 86.5 | 84 | 81 | 78 | 74 | |

KDN - 2 POLES

STANDARDISED CENTRIFUGAL ELECTRIC PUMPS

SELECTION TABLE - KDN 50

| MODEL | Q=m ³ /h | 0 | 6 | 12 | 18 | 24 | 30 | 36 | 42 | 48 | 54 | 60 | 66 | 72 | 78 | 84 | 90 | 102 | 114 | |
|----------------|---------------------|------|-----|-----|-----|-----|------|------|------|------|------|------|------|------|------|------|------|------|------|----|
| | Q=l/min | 0 | 100 | 200 | 300 | 400 | 500 | 600 | 700 | 800 | 900 | 1000 | 1100 | 1200 | 1300 | 1400 | 1500 | 1700 | 1900 | |
| KDN 50-125/115 | H (m) | 17.1 | | | | | 15.9 | 15.5 | 15 | 14.3 | 13.6 | 13 | 12.2 | 11.5 | 10.4 | 9 | | | | |
| KDN 50-125/120 | | 18.2 | | | | | | 17.5 | 17 | 16.5 | 16 | 15.3 | 14.7 | 14 | 13.2 | 12 | 11.2 | 10 | | |
| KDN 50-125/125 | | 19.8 | | | | | | 19.4 | 19 | 18.5 | 17.9 | 17.4 | 16.6 | 16 | 15.1 | 14 | 13 | 11.8 | | |
| KDN 50-125/130 | | 21.5 | | | | | | 21.1 | 20.8 | 20.5 | 19.8 | 19.2 | 18.5 | 17.8 | 17 | 16.5 | 15.2 | 14 | | |
| KDN 50-125/135 | | 23.2 | | | | | | 23 | 22.6 | 22.3 | 21.8 | 21.2 | 20.6 | 19.9 | 19.3 | 18.4 | 17.5 | 16.3 | 13.7 | |
| KDN 50-125/139 | | 24.7 | | | | | | 24.5 | 24.3 | 24 | 23.5 | 23 | 22.4 | 21.6 | 20.8 | 20 | 19.2 | 18 | 15.5 | |
| KDN 50-125/144 | | 25.9 | | | | | | 26.5 | 26.4 | 26.1 | 25.6 | 25.1 | 24.5 | 24 | 23.2 | 22.3 | 21.5 | 20.5 | 17.8 | 15 |
| KDN 50-160/137 | | 24.2 | | | | | | 23.8 | 23.7 | 23.5 | 22.5 | 22 | 21 | 20.3 | 19 | 18 | 16.8 | 15 | | |
| KDN 50-160/145 | | 27.2 | | | | | | 27 | 26.9 | 26.6 | 26.4 | 25.5 | 25 | 23.8 | 23 | 21.5 | 20.5 | 19 | | |
| KDN 50-160/153 | | 30.3 | | | | | | 30.3 | 30.2 | 30 | 29.9 | 29.5 | 28.5 | 27.7 | 26.5 | 25.5 | 24.5 | 23 | | |
| KDN 50-160/161 | | 33.8 | | | | | | 33.7 | 33.7 | 33.6 | 33.6 | 33.3 | 32.5 | 31.8 | 31 | 29.8 | 28.5 | 27.5 | | |
| KDN 50-160/169 | | 37.7 | | | | | | 37.7 | 37.5 | 37.5 | 37.4 | 37 | 36.2 | 35.7 | 35.5 | 34.2 | 33 | 31.5 | 29 | |
| KDN 50-160/177 | | 41.6 | | | | | | 41.5 | 41.5 | 41.3 | 41.2 | 41 | 40.6 | 40.5 | 39.5 | 38.8 | 38 | 36.7 | 33.5 | |
| KDN 50-200/170 | | 37.9 | | | | | | 37 | 36.8 | 36.4 | 35 | 34 | 32 | 30 | 27 | 25 | | | | |
| KDN 50-200/180 | | 42.5 | | | | | | 42 | 41.7 | 41.4 | 40.5 | 39.5 | 38 | 36 | 34 | 32 | 29 | | | |
| KDN 50-200/190 | | 47.2 | | | | | | 46.8 | 46.6 | 46 | 45.7 | 44.5 | 43.5 | 42 | 40 | 38 | 35.5 | 33 | | |
| KDN 50-200/200 | | 52.4 | | | | | | 52.2 | 52 | 18 | 51.5 | 50.5 | 49 | 47.5 | 46 | 44.5 | 42 | 40 | | |
| KDN 50-200/210 | | 58.4 | | | | | | 58.4 | 58.2 | 58 | 57.5 | 56.5 | 55.5 | 54 | 52.5 | 51 | 49 | 46.5 | 41.5 | |
| KDN 50-200/219 | | 64 | | | | | | 64 | 64 | 64 | 63.5 | 62.5 | 61.5 | 60 | 58.5 | 57 | 55 | 53 | 48.5 | |
| KDN 50-250/220 | | 63.7 | | | | | | 63.3 | 63.1 | 63 | 62 | 61 | 59 | 57.5 | 55 | 53 | 50 | 46.5 | 36 | |
| KDN 50-250/230 | | 69.6 | | | | | | 69.3 | 69 | 68.8 | 68.5 | 68 | 66 | 64 | 62 | 60 | 57 | 54 | 45 | |
| KDN 50-250/240 | | 76 | | | | | | 75.8 | 75.5 | 75.3 | 75 | 74.5 | 73 | 71.5 | 69 | 67 | 65 | 62 | 55 | |
| KDN 50-250/250 | | 83.2 | | | | | | 83 | 82.9 | 82.8 | 83.5 | 82 | 80.5 | 78.5 | 77 | 75 | 72.5 | 70 | 64 | |
| KDN 50-250/263 | | 92.1 | | | | | | 92 | 91.8 | 91.6 | 91.5 | 91.3 | 89.9 | 88.5 | 86.5 | 84.5 | 82.5 | 80 | 75 | 61 |

KDN - 2 POLES

STANDARDISED CENTRIFUGAL ELECTRIC PUMPS

SELECTION TABLE - KDN 65

| MODEL | Q=m ³ /h | 0 | 48 | 54 | 60 | 66 | 72 | 78 | 84 | 90 | 102 | 114 | 120 | 150 | 180 | 210 | 240 |
|--------------------|---------------------|-------|------|------|------|-------|-------|-------|-------|-------|-------|-------|-------|-------|-------|-------|------|
| | Q=l/min | 0 | 800 | 900 | 1000 | 1100 | 1200 | 1300 | 1400 | 1500 | 1700 | 1900 | 2000 | 2500 | 3000 | 3500 | 4000 |
| KDN 65-125/120/110 | H (m) | 16 | 14.4 | 14 | 13.6 | 13.1 | 12.8 | 12.2 | 11.9 | 11.4 | 10.2 | 8.7 | 8 | | | | |
| KDN 65-125/120 | | 17.8 | 16 | 15.6 | 15.3 | 14.9 | 14.4 | 13.9 | 13.4 | 13 | 11.5 | 10.3 | 9.4 | | | | |
| KDN 65-125/125 | | 19.4 | 17.8 | 17.5 | 17.1 | 16.8 | 16.4 | 16 | 15.4 | 15 | 13.5 | 12.2 | 11.4 | | | | |
| KDN 65-125/130 | | 21 | 19.6 | 19.5 | 19.1 | 18.9 | 18.5 | 18 | 17.5 | 17 | 15.7 | 14.2 | 13.2 | | | | |
| KDN 65-125/135 | | 22.6 | 21.8 | 21.5 | 21.3 | 21 | 20.5 | 20.1 | 19.6 | 19.2 | 18 | 16.5 | 15.6 | | | | |
| KDN 65-125/140 | | 24 | 23.6 | 23.5 | 23.4 | 23 | 22.8 | 22.3 | 22 | 21.4 | 20.3 | 18.9 | 18 | 13.8 | | | |
| KDN 65-125/144 | | 25.6 | 25.5 | 25.4 | 25.2 | 25 | 24.6 | 24.3 | 24 | 23.4 | 22.5 | 21.1 | 20.2 | 16 | | | |
| KDN 65-160/137 | | 23.1 | 22.4 | 22 | 21.7 | 21.3 | 20.5 | 19.7 | 19 | 18 | 16 | | | | | | |
| KDN 65-160/145 | | 26.2 | 25.7 | 25.5 | 25 | 24.6 | 24 | 23.5 | 22.7 | 22 | 20 | 17.8 | 16.5 | | | | |
| KDN 65-160/153 | | 29.1 | 28.8 | 28.5 | 28.6 | 28.5 | 28 | 27.5 | 26.6 | 26 | 24 | 22 | 21 | | | | |
| KDN 65-160/161 | | 32.6 | 32.5 | 32.4 | 32.3 | 32 | 31.7 | 31.3 | 30.5 | 30 | 28.5 | 26.5 | 25.5 | | | | |
| KDN 65-160/169 | | 36.4 | 36.3 | 36.2 | 36.1 | 36 | 35.7 | 35.3 | 34.7 | 34 | 32.7 | 31 | 30 | | | | |
| KDN 65-160/177 | | 40.1 | 39.9 | 39.8 | 39.7 | 40 | 39.8 | 39.5 | 39 | 38.5 | 37.2 | 35.5 | 34.7 | 28.5 | | | |
| KDN 65-200/170 | | 37.2 | 36.8 | 36.7 | 36.6 | 36.5 | 36 | 35 | 34 | 32.5 | 30 | 27 | 25 | | | | |
| KDN 65-200/180 | | 41.7 | 41.4 | 41.3 | 41.2 | 41.1 | 41 | 40.5 | 40 | 39 | 36.5 | 34 | 32 | | | | |
| KDN 65-200/190 | | 48.3 | 48.2 | 48.1 | 48 | 47.9 | 47.5 | 47 | 41 | 45 | 43 | 40.5 | 39 | | | | |
| KDN 65-200/200 | | 53.2 | 53.1 | 52.9 | 52.8 | 52.7 | 52.5 | 52.3 | 52 | 51.8 | 50 | 48 | 46.5 | | | | |
| KDN 65-200/210 | | 59.2 | 59.1 | 59 | 58.9 | 58.8 | 58.7 | 58.5 | 58.2 | 58 | 56.5 | 54.5 | 53.5 | | | | |
| KDN 65-200/219 | | 64.9 | 64.9 | 64.8 | 64.5 | 64.3 | 64.1 | 64 | 63.8 | 62.5 | 62.4 | 61 | 60 | 52.5 | | | |
| KDN 65-250/220 | | 63.2 | 62.8 | 62.5 | 62 | 61 | 60 | 59.5 | 58 | 57 | 54 | 50.5 | 48 | | | | |
| KDN 65-250/230 | | 69.5 | 69.5 | 69 | 68.5 | 68 | 67 | 66 | 65 | 64 | 63 | 58.5 | 56.5 | | | | |
| KDN 65-250/240 | | 76 | 75.7 | 75.5 | 75 | 75 | 74 | 73 | 72 | 71 | 69 | 66 | 64 | | | | |
| KDN 65-250/250 | | 83 | 82.3 | 82.3 | 82.2 | 82 | 81.5 | 81 | 80 | 79 | 76.5 | 73.5 | 72 | 60 | | | |
| KDN 65-250/263 | | 92.6 | 91.8 | 91.8 | 91.7 | 91.5 | 91.5 | 91 | 90 | 89.5 | 87.5 | 85 | 83 | 72.5 | | | |
| KDN 65-315/260 | | 92.8 | | | | 92.7 | 91.9 | 90.9 | 89.7 | 88.5 | 85.5 | 81.9 | 79.9 | 67.8 | | | |
| KDN 65-315/275 | | 105 | | | | 104.5 | 103.9 | 103.1 | 102.1 | 101.1 | 98.5 | 95.5 | 93.8 | 83.3 | 69.5 | | |
| KDN 65-315/290 | | 117.1 | | | | 117.0 | 116.5 | 115.9 | 115.1 | 114.3 | 112.2 | 109.7 | 108.3 | 99.4 | 87.6 | | |
| KDN 65-315/305 | | 130 | | | | 129.6 | 129.2 | 128.7 | 128.0 | 127.3 | 125.5 | 123.2 | 121.9 | 113.8 | 103.0 | 89.6 | |
| KDN 65-315/320 | | 143 | | | | 142.9 | 142.6 | 142.1 | 141.6 | 140.9 | 139.3 | 137.3 | 136.2 | 128.9 | 119.1 | 106.8 | 92.0 |

KDN - 2 POLES

STANDARDISED CENTRIFUGAL ELECTRIC PUMPS

SELECTION TABLE - KDN 80

| MODEL | Q=m ³ /h | 0 | 90 | 102 | 114 | 120 | 150 | 180 | 210 | 240 | 270 | 300 |
|--------------------|---------------------|------|-------|-------|-------|-------|-------|-------|-------|------|------|------|
| | Q=l/min | 0 | 1500 | 1700 | 1900 | 2000 | 2500 | 3000 | 3500 | 4000 | 4500 | 5000 |
| KDN 80-160/147/127 | H (m) | 23 | 21.5 | 207 | 20 | 19.5 | 17 | 14.5 | 11.8 | 8.8 | | |
| KDN 80-160/153/136 | | 25.6 | 24.5 | 23.8 | 23 | 22.5 | 20.2 | 17.5 | 15 | 11.8 | | |
| KDN 80-160/153 | | 29.3 | 28 | 27.3 | 26.5 | 26 | 23.5 | 20.7 | 16.5 | 14.5 | | |
| KDN 80-160/161 | | 32.8 | 32 | 31.5 | 30.5 | 30 | 27.8 | 25 | 21.5 | 18.5 | | |
| KDN 80-160/169 | | 36.5 | 35.7 | 35.2 | 34.5 | 34.2 | 32 | 29.5 | 26.5 | 22.6 | 18.5 | |
| KDN 80-160/177 | | 40 | 39.5 | 39.2 | 38.7 | 38.5 | 37 | 34.8 | 31.8 | 27.8 | 23 | |
| KDN 80-200/170 | | 36.6 | 35.7 | 35.5 | 34.5 | 34 | 31 | 27 | 21.5 | | | |
| KDN 80-200/180 | | 41 | 40.6 | 40.5 | 40 | 39.5 | 37 | 33 | 27.5 | | | |
| KDN 80-200/190 | | 45.7 | 45.4 | 45 | 44.5 | 44 | 42 | 29 | 34 | | | |
| KDN 80-200/200 | | 50.8 | 50.4 | 50.2 | 50 | 49.6 | 49 | 46.5 | 41 | 35 | | |
| KDN 80-200/210 | | 56.3 | 55.9 | 55.8 | 55.7 | 55.6 | 54.8 | 52 | 48 | 43 | | |
| KDN 80-200/222 | | 63.6 | 63.4 | 63.3 | 63.2 | 63.1 | 63 | 60 | 56.5 | 51.5 | 45 | |
| KDN 80-250/220 | | 62.6 | 62.5 | 62.4 | 62 | 61.8 | 60 | 55.5 | 49 | | | |
| KDN 80-250/230 | | 68.3 | 68.2 | 68.1 | 68 | 67.9 | 67 | 63 | 57 | 50 | | |
| KDN 80-250/240 | | 75.5 | 75.4 | 75.3 | 75.2 | 75 | 74.5 | 71 | 65.5 | 58.5 | | |
| KDN 80-250/250 | | 82.5 | 82.3 | 82 | 81.9 | 81.7 | 82 | 78.5 | 74 | 67.5 | 60.5 | |
| KDN 80-250/260 | | 90 | 89.7 | 89.6 | 86.5 | 89.3 | 89 | 86.5 | 82 | 77 | 70 | 61.5 |
| KDN 80-250/270 | | 97.9 | 97.8 | 97.5 | 91.3 | 97 | 96.5 | 94 | 89 | 84 | 77 | 69 |
| KDN 80-315/275 | | 101 | 101 | 100.8 | 100.8 | 100.7 | 100.1 | 97.6 | 92 | 82.7 | 73.5 | |
| KDN 80-315/290 | | 114 | 113.9 | 113.8 | 113.8 | 113.7 | 112 | 109.8 | 106.6 | 99.3 | 92.5 | 80.1 |

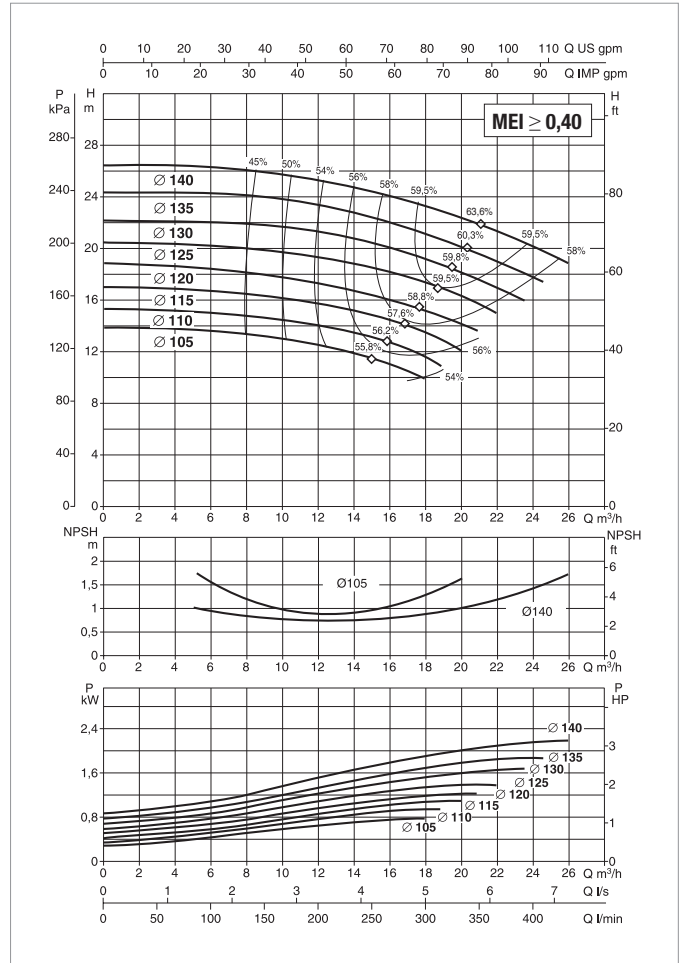
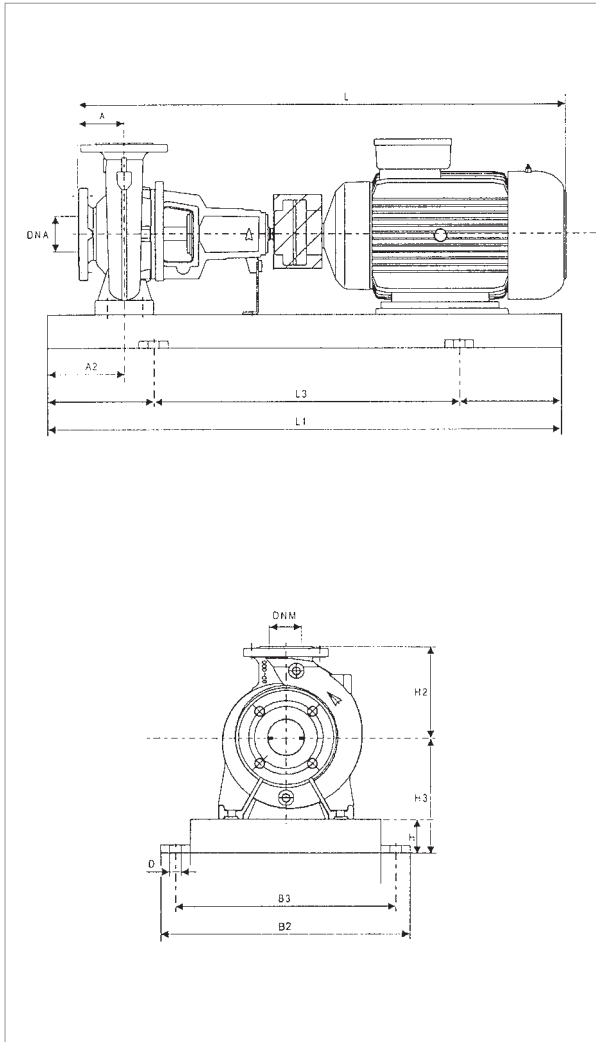
SELECTION TABLE - KDN 100

| MODEL | Q=m ³ /h | 0 | 150 | 180 | 210 | 240 | 270 | 300 | 330 | 360 | 390 | 420 |
|-----------------|---------------------|------|------|------|------|------|------|------|------|------|------|------|
| | Q=l/min | 0 | 2500 | 3000 | 3500 | 4000 | 4500 | 4500 | 5500 | 6000 | 6500 | 7000 |
| KDN 100-200/180 | H (m) | 40.4 | 40 | 38 | 36 | 33 | 30.5 | 28 | 25 | | | |
| KDN 100-200/190 | | 46.5 | 45 | 44 | 42 | 39 | 37 | 34.5 | 31 | 28 | | |
| KDN 100-200/200 | | 51.5 | 51 | 50 | 48.5 | 46 | 44 | 42 | 39 | 35 | 31.5 | |
| KDN 100-200/210 | | 57.5 | 57 | 56 | 55 | 53 | 51 | 49 | 46 | 43 | 39 | 36 |
| KDN 100-200/219 | | 64 | 62.5 | 62 | 61 | 60 | 58 | 56 | 53 | 50 | 47 | 43 |
| KDN 100-250/220 | | 61.1 | 60 | 59.5 | 57 | 54 | 50.5 | 46.5 | 42 | | | |
| KDN 100-250/230 | | 67.4 | 66.9 | 66.5 | 64 | 61 | 58 | 54 | 49 | 44 | | |
| KDN 100-250/240 | | 73.5 | 72.9 | 71 | 70.5 | 69 | 66 | 63 | 58.5 | 53 | | |
| KDN 100-250/250 | | 79.7 | 79.5 | 79 | 78.8 | 77 | 74 | 71 | 67 | 62.5 | | |
| KDN 100-250/260 | | 88.6 | 88.2 | 88.1 | 88 | 86 | 83 | 79.5 | 76 | 71.5 | 66 | |

KDN 32-125.1 - 2 POLES - STANDARDISED CENTRIFUGAL ELECTRIC PUMPS FOR AIR CONDITIONING, REFRIGERATION, IRRIGATION, DECANTING, PRESSURISATION SYSTEMS, AND INDUSTRIAL APPLICATIONS

Pumped liquid temperature range: from -10 °C to +140 °C - Maximum ambient temperature: +40°C

= 2900 1/min



See hydraulic efficiency details on page 291.

The performance curves are based on kinematic viscosity values = 1 mm²/s and density equal to 1000 kg/m³. Curve tolerance according to ISO 9906.

| MODEL | ELECTRICAL DATA | | | | | |
|--------------|-----------------------|------------|----------------------|-----------|-----|------------|
| | POWER (kW) 2 POLES | MOTOR SIZE | POWER INPUT 50 Hz | In A | | MOTOR TYPE |
| | | | | IE2 | IE3 | |
| KDN 32-125.1 | 0.75 | MEC 80 | 3 x 230 - 400 V ~ | 2.81/1.62 | - | IE2 |
| | 1.1 | MEC 80 | 3 x 230 - 400 V ~ | 4.07/2.36 | - | IE2 |
| | 1.5 | MEC 90S | 3 x 230 - 400 V ~ | 5.80/3.35 | - | IE2 |
| | 2.2 | MEC 90L | 3 x 230 - 400 V ~ | 8.23/4.75 | - | IE2 |
| | 3 | MEC 100L | 3 - 400 V - Δ | 5.85 | - | IE2 |
| | 4 | MEC 112M | 3 - 400 V - Δ | 8.05 | - | IE2 |

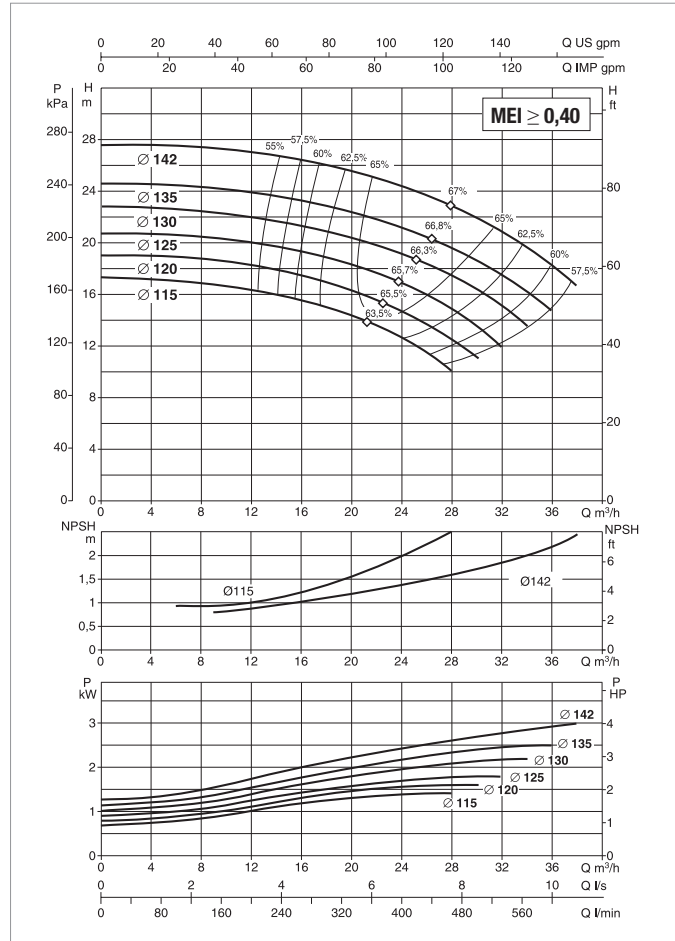
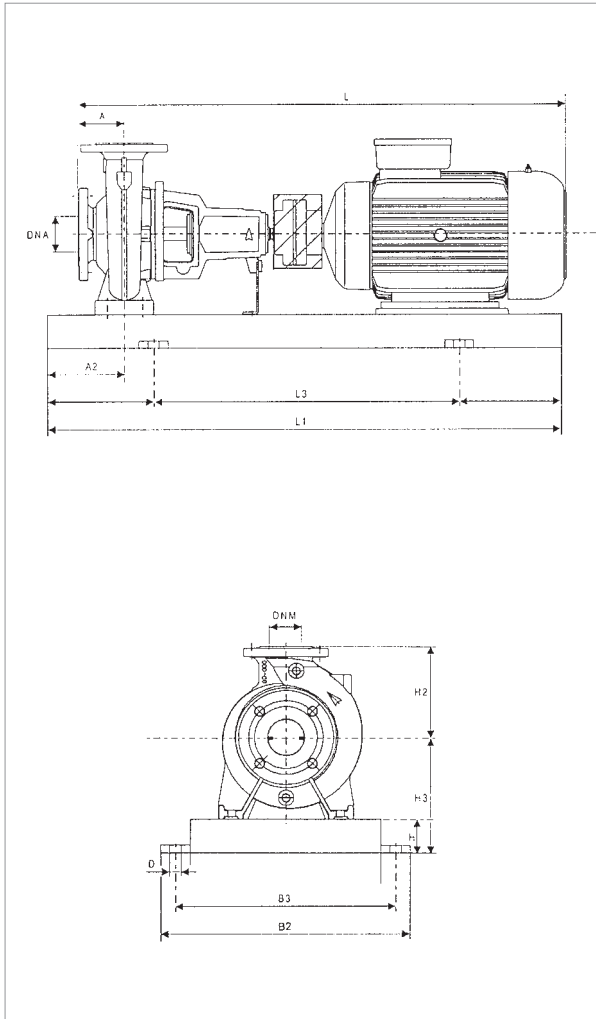
| MODEL | POWER (kW) | UNIT DIMENSIONS (mm) | | | | | | | | | | FLANGE DIMENSIONS (mm) | | STANDARD COUPLING | | | | SPACER COUPLING | | | | REF. |
|--------------|------------|----------------------|-----------|-----|-----------|-----|-----------|-----|-----------|-----|-----------|------------------------|-----------|-------------------|-----------|-----|-----------|-----------------|-----------|-----|---|------|
| | | A | A2 | H2 | H | H3 | L1 | L3 | B2 | B3 | D | DNA | DNM | IE2 | | IE3 | | IE2 | | IE3 | | |
| | | L | WEIGHT kg | L | WEIGHT kg | L | WEIGHT kg | L | WEIGHT kg | L | WEIGHT kg | L | WEIGHT kg | L | WEIGHT kg | L | WEIGHT kg | L | WEIGHT kg | | | |
| KDN 32-125.1 | 0.75 | 80 | 60 | 140 | 65 | 177 | 800 | 540 | 360 | 320 | 19 | 50 | 32 | 740 | 85 | - | - | 840 | 90 | - | - | 2 |
| | 1.1 | 80 | 60 | 140 | 65 | 177 | 800 | 540 | 360 | 320 | 19 | 50 | 32 | 740 | 86 | - | - | 840 | 91 | - | - | 2 |
| | 1.5 | 80 | 60 | 140 | 65 | 177 | 800 | 540 | 360 | 320 | 19 | 50 | 32 | 765 | 93 | - | - | 865 | 98 | - | - | 3 |
| | 2.2 | 80 | 60 | 140 | 65 | 177 | 900 | 600 | 390 | 350 | 19 | 50 | 32 | 790 | 100 | - | - | 890 | 105 | - | - | 3 |
| | 3 | 80 | 60 | 140 | 65 | 177 | 900 | 600 | 390 | 350 | 19 | 50 | 32 | 830 | 102 | - | - | 930 | 107 | - | - | 3 |
| | 4 | 80 | 60 | 140 | 65 | 177 | 900 | 600 | 390 | 350 | 19 | 50 | 32 | 845 | 102 | - | - | 945 | 107 | - | - | 3 |

Dimension and electrical data based on sizing definition following the instructions on page 96.

KDN 32-125 - 2 POLES - STANDARDISED CENTRIFUGAL ELECTRIC PUMPS FOR AIR CONDITIONING, REFRIGERATION, IRRIGATION, DECANTING, PRESSURISATION SYSTEMS, AND INDUSTRIAL APPLICATIONS

Pumped liquid temperature range: from -10 °C to +140 °C - Maximum ambient temperature: +40°C

= 2900 1/min



See hydraulic efficiency details on page 291.

The performance curves are based on kinematic viscosity values = 1 mm²/s and density equal to 1000 kg/m³. Curve tolerance according to ISO 9906.

| MODEL | ELECTRICAL DATA | | | | | |
|------------|-----------------|------------|-------------------|-----------|-----|------------|
| | POWER (kW) | MOTOR SIZE | POWER INPUT 50 Hz | In A | | MOTOR TYPE |
| | 2 POLES | | | IE2 | IE3 | |
| KDN 32-125 | 1.1 | MEC 80 | 3 x 230 - 400 V ~ | 4.07/2.36 | - | IE2 |
| | 1.5 | MEC 90S | 3 x 230 - 400 V ~ | 5.80/3.35 | - | IE2 |
| | 2.2 | MEC 90L | 3 x 230 - 400 V ~ | 8.23/4.75 | - | IE2 |
| | 3 | MEC 100L | 3 - 400 V - Δ | 5.85 | - | IE2 |
| | 4 | MEC 112M | 3 - 400 V - Δ | 8.05 | - | IE2 |

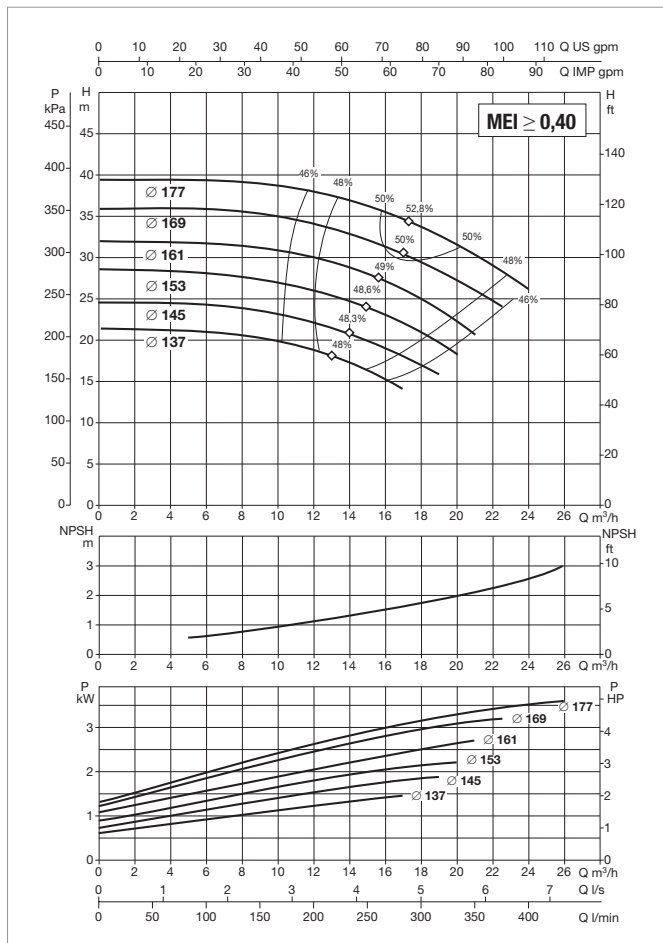
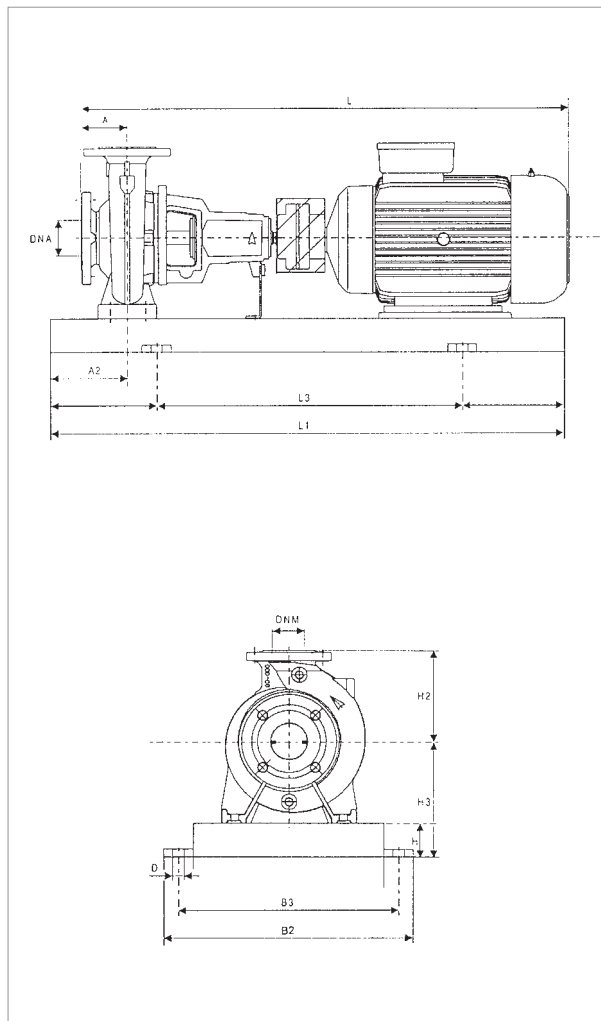
| MODEL | POWER (kW) | UNIT DIMENSIONS (mm) | | | | | | | | | | FLANGE DIMENSIONS (mm) | | STANDARD COUPLING | | | | SPACER COUPLING | | | | REF. |
|------------|------------|----------------------|-----------|-----|-----------|-----|-----------|-----|-----------|-----|-----------|------------------------|-----------|-------------------|-----------|-----|-----------|-----------------|-----------|-----|---|------|
| | | A | A2 | H2 | H | H3 | L1 | L3 | B2 | B3 | D | DNA | DNM | IE2 | | IE3 | | IE2 | | IE3 | | |
| | | L | WEIGHT kg | L | WEIGHT kg | L | WEIGHT kg | L | WEIGHT kg | L | WEIGHT kg | L | WEIGHT kg | L | WEIGHT kg | L | WEIGHT kg | L | WEIGHT kg | | | |
| KDN 32-125 | 1.1 | 80 | 60 | 140 | 65 | 177 | 800 | 540 | 360 | 320 | 19 | 50 | 32 | 740 | 85 | - | - | 840 | 90 | - | - | 2 |
| | 1.5 | 80 | 60 | 140 | 65 | 177 | 800 | 540 | 360 | 320 | 19 | 50 | 32 | 765 | 86 | - | - | 865 | 91 | - | - | 2 |
| | 2.2 | 80 | 60 | 140 | 65 | 177 | 900 | 600 | 390 | 350 | 19 | 50 | 32 | 790 | 93 | - | - | 890 | 98 | - | - | 3 |
| | 3 | 80 | 60 | 140 | 65 | 177 | 900 | 600 | 390 | 350 | 19 | 50 | 32 | 830 | 96.3 | - | - | 930 | 101.3 | - | - | 3 |
| | 4 | 80 | 60 | 140 | 65 | 177 | 900 | 600 | 390 | 350 | 19 | 50 | 32 | 845 | 117 | - | - | 945 | 122 | - | - | 3 |

Dimension and electrical data based on sizing definition following the instructions on page 96.

KDN 32-160.1 - 2 POLES - STANDARDISED CENTRIFUGAL ELECTRIC PUMPS FOR AIR CONDITIONING, REFRIGERATION, IRRIGATION, DECANTING, PRESSURISATION SYSTEMS, AND INDUSTRIAL APPLICATIONS

Pumped liquid temperature range: from -10 °C to +140 °C - Maximum ambient temperature: +40°C

= 2900 1/min



See hydraulic efficiency details on page 291.

The performance curves are based on kinematic viscosity values = 1 mm²/s and density equal to 1000 kg/m³. Curve tolerance according to ISO 9906.

| MODEL | ELECTRICAL DATA | | | | | |
|--------------|-----------------------|---------------|----------------------|-----------|-----|---------------|
| | POWER (kW) 2 POLES | SIZE MOTOR | POWER INPUT 50 Hz | In A | | TYPE MOTOR |
| | | | | IE2 | IE3 | |
| KDN 32-160.1 | 1.1 | MEC 80 | 3 x 230 - 400 V ~ | 4.07/2.36 | - | IE2 |
| | 1.5 | MEC 90S | 3 x 230 - 400 V ~ | 5.80/3.35 | - | IE2 |
| | 2.2 | MEC 90L | 3 x 230 - 400 V ~ | 8.23/4.75 | - | IE2 |
| | 3 | MEC 100L | 3 - 400 V - Δ | 5.85 | - | IE2 |
| | 4 | MEC 112M | 3 - 400 V - Δ | 8.05 | - | IE2 |
| | 5.5 | MEC 132S | 3 - 400 V - Δ | 10.4 | - | IE2 |

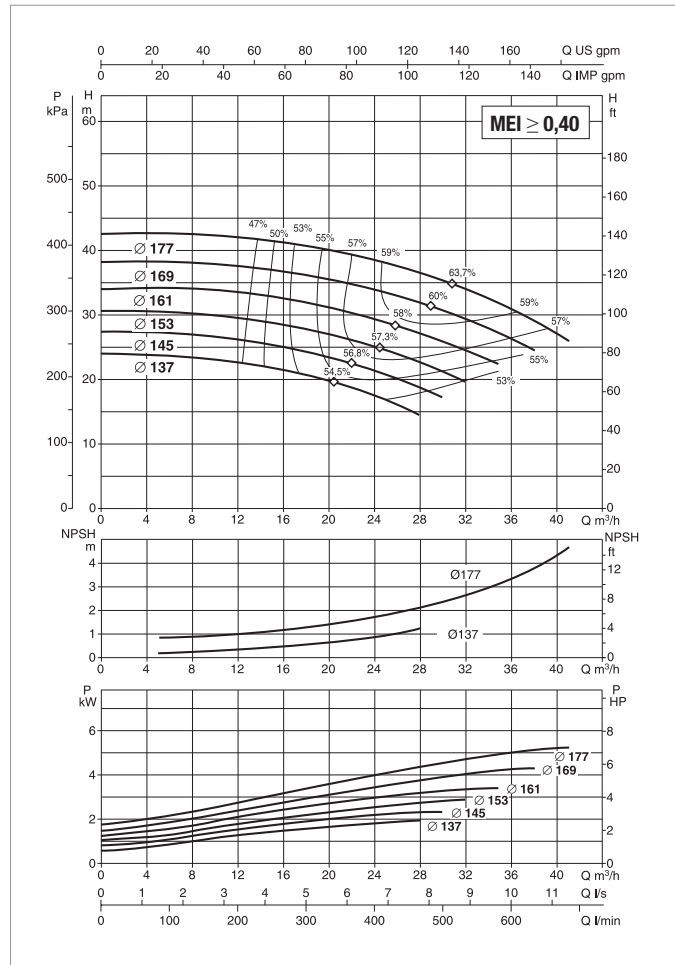
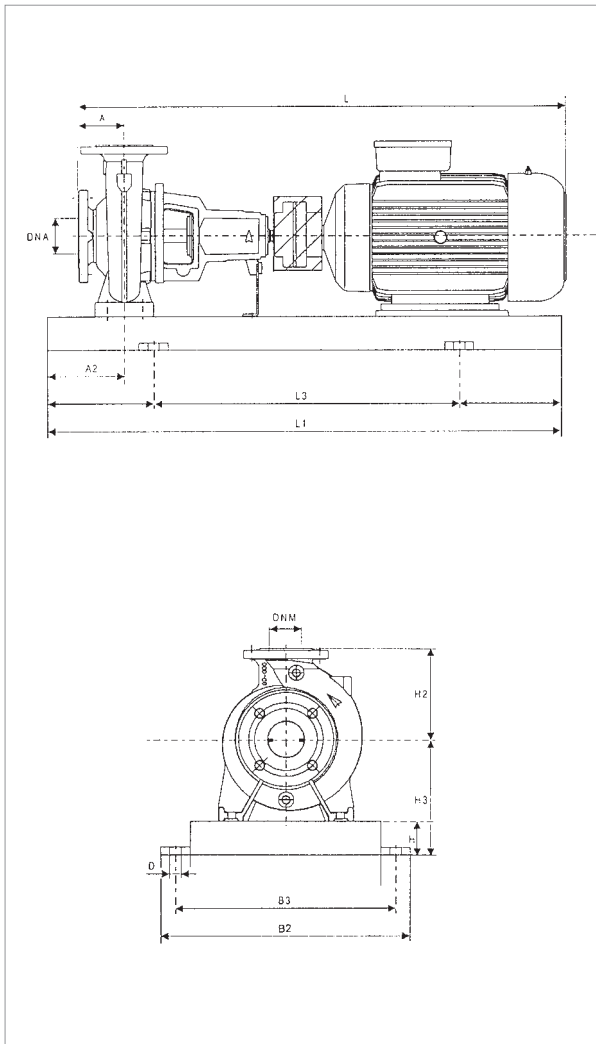
| MODEL | POWER (kW) | UNIT DIMENSIONS (mm) | | | | | | | | | | FLANGE DIMENSIONS (mm) | | STANDARD COUPLING | | | | SPACER COUPLING | | | | REF. |
|--------------|------------|----------------------|-----------|-----|-----------|-----|-----------|-----|-----------|-----|-----------|------------------------|-----------|-------------------|-----------|-----|-----------|-----------------|-----------|-----|---|------|
| | | A | A2 | H2 | H | H3 | L1 | L3 | B2 | B3 | D | DNA | DNM | IE2 | | IE3 | | IE2 | | IE3 | | |
| | | L | WEIGHT kg | L | WEIGHT kg | L | WEIGHT kg | L | WEIGHT kg | L | WEIGHT kg | L | WEIGHT kg | L | WEIGHT kg | L | WEIGHT kg | L | WEIGHT kg | | | |
| KDN 32-160.1 | 1.5 | 80 | 60 | 160 | 65 | 197 | 800 | 540 | 360 | 320 | 19 | 50 | 32 | 740 | 91 | - | - | 840 | 96 | - | - | 2 |
| | 1.5 | 80 | 60 | 160 | 65 | 197 | 800 | 540 | 360 | 320 | 19 | 50 | 32 | 765 | 94 | - | - | 865 | 99 | - | - | 2 |
| | 2.2 | 80 | 60 | 160 | 65 | 197 | 900 | 600 | 390 | 350 | 19 | 50 | 32 | 790 | 102 | - | - | 890 | 107 | - | - | 3 |
| | 3 | 80 | 60 | 160 | 65 | 197 | 900 | 600 | 390 | 350 | 19 | 50 | 32 | 830 | 102 | - | - | 930 | 107 | - | - | 3 |
| | 4 | 80 | 60 | 160 | 65 | 197 | 900 | 600 | 390 | 350 | 19 | 50 | 32 | 845 | 104 | - | - | 945 | 109 | - | - | 3 |
| | 5.5 | 80 | 60 | 160 | 80 | 212 | 1000 | 660 | 450 | 400 | 24 | 50 | 32 | 915 | 136 | - | - | 1015 | 141 | - | - | 4 |

Dimension and electrical data based on sizing definition following the instructions on page 96.

KDN 32-160 - 2 POLES - STANDARDISED CENTRIFUGAL ELECTRIC PUMPS FOR AIR CONDITIONING, REFRIGERATION, IRRIGATION, DECANTING, PRESSURISATION SYSTEMS, AND INDUSTRIAL APPLICATIONS

Pumped liquid temperature range: from -10 °C to +140 °C - Maximum ambient temperature: +40°C

= 2900 1/min



See hydraulic efficiency details on page 291.

The performance curves are based on kinematic viscosity values = 1 mm²/s and density equal to 1000 kg/m³. Curve tolerance according to ISO 9906.

| MODEL | ELECTRICAL DATA | | | | | |
|------------|-----------------------|---------------|----------------------|-----------|------|---------------|
| | POWER (kW) 2 POLES | MOTOR SIZE | POWER INPUT 50 Hz | In A | | MOTOR TYPE |
| | | | | IE2 | IE3 | |
| KDN 32-160 | 2.2 | MEC 90L | 3 x 230 - 400 V ~ | 8.23/4.75 | - | IE2 |
| | 3 | MEC 100L | 3 x 400 V - Δ | 5.85 | - | IE2 |
| | 4 | MEC 112M | 3 x 400 V - Δ | 8.05 | - | IE2 |
| | 5.5 | MEC 132S | 3 x 400 V - Δ | 10.4 | - | IE2 |
| | 7.5 | MEC 132S | 3 x 400 V - Δ | 14 | 13.4 | IE2 / IE3 |

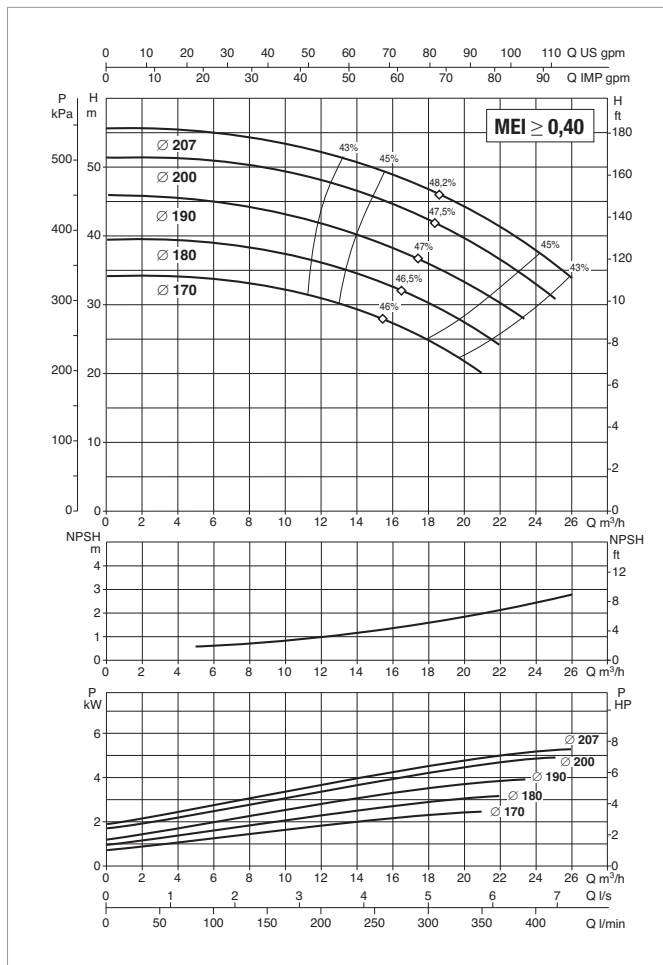
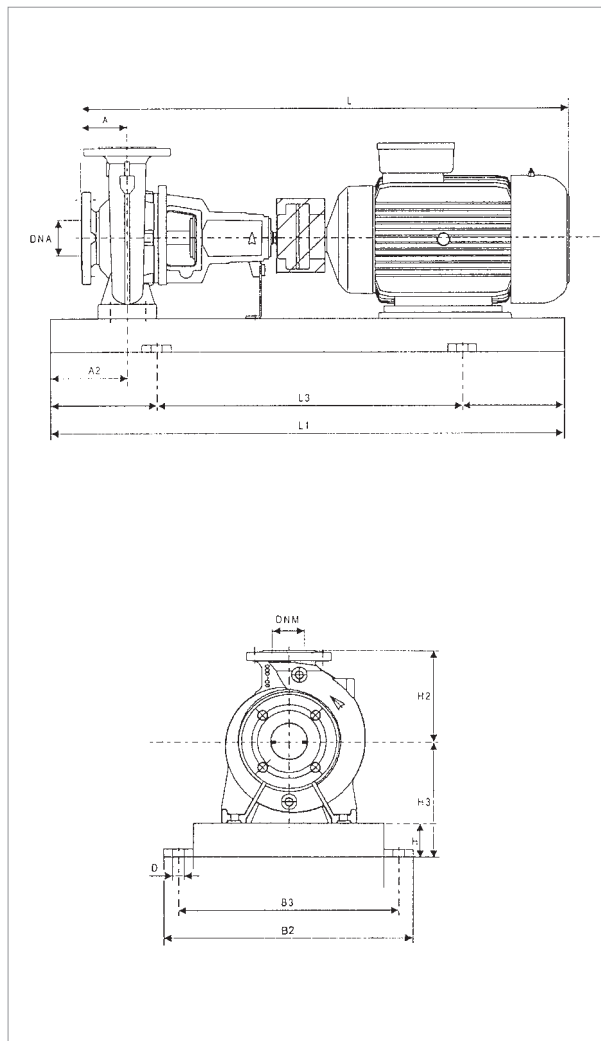
| MODEL | POWER (kW) | UNIT DIMENSIONS (mm) | | | | | | | | | | FLANGE DIMENSIONS (mm) | | STANDARD COUPLING | | | | SPACER COUPLING | | | | REF. |
|------------|---------------|----------------------|----|-----|----|-----|------|-----|-----|-----|----|---------------------------|-----|-------------------|--------------|-----|--------------|-----------------|--------------|------|--------------|------|
| | | A | A2 | H2 | H | H3 | L1 | L3 | B2 | B3 | D | DnA | DnM | IE2 | | IE3 | | IE2 | | IE3 | | |
| | | | | | | | | | | | | | | L | WEIGHT kg | L | WEIGHT kg | L | WEIGHT kg | L | WEIGHT kg | |
| KDN 32-160 | 2.2 | 80 | 60 | 160 | 65 | 197 | 900 | 600 | 390 | 350 | 19 | 50 | 32 | 790 | 92 | - | - | 97 | 100 | - | - | 3 |
| | 3 | 80 | 60 | 160 | 65 | 197 | 900 | 600 | 390 | 350 | 19 | 50 | 32 | 830 | 102 | - | - | 107 | 107 | - | - | 3 |
| | 4 | 80 | 60 | 160 | 65 | 197 | 900 | 600 | 390 | 350 | 19 | 50 | 32 | 845 | 104 | - | - | 109 | 109 | - | - | 3 |
| | 5.5 | 80 | 60 | 160 | 80 | 212 | 1000 | 660 | 450 | 400 | 24 | 50 | 32 | 915 | 136 | - | - | 141 | 141 | - | - | 4 |
| | 7.5 | 80 | 60 | 160 | 80 | 212 | 1000 | 660 | 450 | 400 | 24 | 50 | 32 | 915 | 139 | 925 | 113 | 1015 | 144 | 1025 | 118 | 4 |

Dimension and electrical data based on sizing definition following the instructions on page 96.

KDN 32-200.1 - 2 POLES - STANDARDISED CENTRIFUGAL ELECTRIC PUMPS FOR AIR CONDITIONING, REFRIGERATION, IRRIGATION, DECANTING, PRESSURISATION SYSTEMS, AND INDUSTRIAL APPLICATIONS

Pumped liquid temperature range: from -10 °C to +140 °C - Maximum ambient temperature: +40°C

= 2900 1/min



See hydraulic efficiency details on page 291.

The performance curves are based on kinematic viscosity values = 1 mm²/s and density equal to 1000 kg/m³. Curve tolerance according to ISO 9906.

| MODEL | ELECTRICAL DATA | | | | | |
|--------------|-----------------------|------------|----------------------|-----------|------|------------|
| | POWER (kW) 2 POLES | MOTOR SIZE | POWER INPUT 50 Hz | In A | | MOTOR TYPE |
| | | | | IE2 | IE3 | |
| KDN 32-200.1 | 2.2 | MEC 90L | 3 x 230 - 400 V ~ | 8.23/4.75 | - | IE2 |
| | 3 | MEC 100L | 3 x 400 V - Δ | 5.85 | - | IE2 |
| | 4 | MEC 112M | 3 x 400 V - Δ | 8.05 | - | IE2 |
| | 5.5 | MEC 132S | 3 x 400 V - Δ | 10.4 | - | IE2 |
| | 7.5 | MEC 132S | 3 x 400 V - Δ | 14 | 13.4 | IE2 / IE3 |

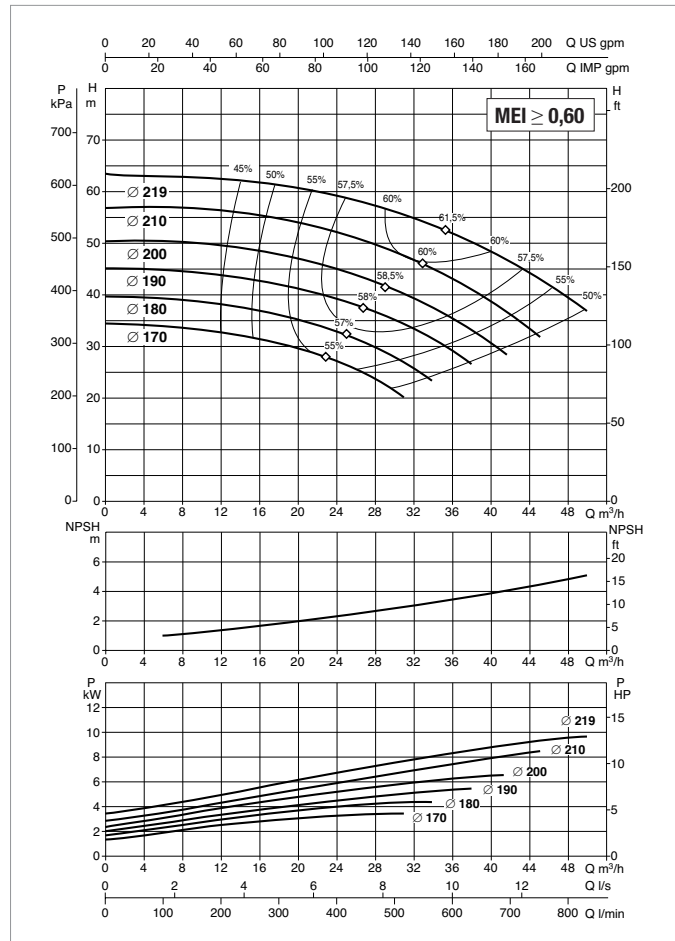
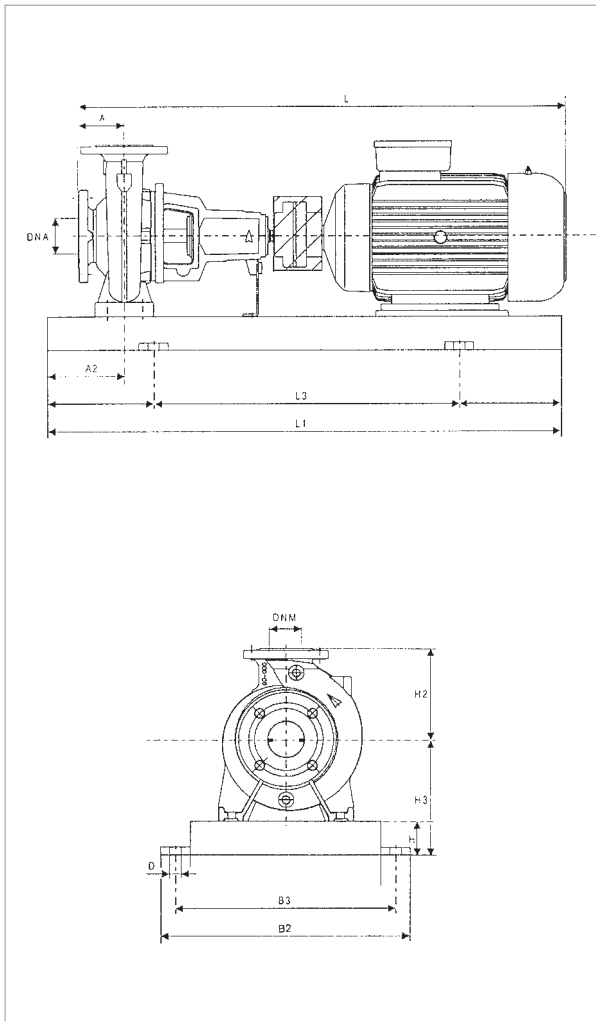
| MODEL | POWER (kW) | UNIT DIMENSIONS (mm) | | | | | | | | | | FLANGE DIMENSIONS (mm) | | STANDARD COUPLING | | | | SPACER COUPLING | | | | REF. |
|--------------|------------|----------------------|----|-----|----|-----|------|-----|-----|-----|----|------------------------|-----|-------------------|-----------|-----|-----------|-----------------|-----------|------|-----------|------|
| | | A | A2 | H2 | H | H3 | L1 | L3 | B2 | B3 | D | DnA | DnM | IE2 | | IE3 | | IE2 | | IE3 | | |
| | | | | | | | | | | | | | | L | WEIGHT kg | L | WEIGHT kg | L | WEIGHT kg | L | WEIGHT kg | |
| KDN 32-200.1 | 2.2 | 80 | 60 | 180 | 65 | 225 | 900 | 600 | 390 | 350 | 19 | 50 | 32 | 790 | 108 | - | - | 890 | 113 | - | - | 3 |
| | 3 | 80 | 60 | 180 | 65 | 225 | 900 | 600 | 390 | 350 | 19 | 50 | 32 | 830 | 140 | - | - | 930 | 145 | - | - | 3 |
| | 4 | 80 | 60 | 180 | 65 | 225 | 900 | 600 | 390 | 350 | 19 | 50 | 32 | 845 | 143 | - | - | 945 | 148 | - | - | 3 |
| | 5.5 | 80 | 60 | 180 | 80 | 240 | 1000 | 660 | 450 | 400 | 24 | 50 | 32 | 915 | 143 | - | - | 1015 | 148 | - | - | 4 |
| | 7.5 | 80 | 60 | 180 | 80 | 240 | 1000 | 660 | 450 | 400 | 24 | 50 | 32 | 915 | 166 | 925 | 140 | 1015 | 171 | 1025 | 145 | 4 |

Dimension and electrical data based on sizing definition following the instructions on page 96.

KDN 32-200 - 2 POLES - STANDARDISED CENTRIFUGAL ELECTRIC PUMPS FOR AIR CONDITIONING, REFRIGERATION, IRRIGATION, DECANTING, PRESSURISATION SYSTEMS, AND INDUSTRIAL APPLICATIONS

Pumped liquid temperature range: from -10 °C to +140 °C - Maximum ambient temperature: +40°C

= 2900 1/min



See hydraulic efficiency details on page 291.

The performance curves are based on kinematic viscosity values = 1 mm²/s and density equal to 1000 kg/m³. Curve tolerance according to ISO 9906.

| MODEL | ELECTRICAL DATA | | | | | |
|------------|-----------------------|------------|----------------------|------|------|------------|
| | POWER (kW) 2 POLES | MOTOR SIZE | POWER INPUT 50 Hz | In A | | MOTOR TYPE |
| | | | | IE2 | IE3 | |
| KDN 32-200 | 3 | MEC 100L | 3 x 400 V - Δ | 5.85 | - | IE3 |
| | 4 | MEC 112M | 3 x 400 V - Δ | 8.05 | - | IE3 |
| | 5.5 | MEC 132S | 3 x 400 V - Δ | 10.4 | - | IE3 |
| | 7.5 | MEC 132S | 3 x 400 V - Δ | 14 | 13.4 | IE2 / IE3 |
| | 11 | MEC 160M | 3 x 400 V - Δ | 20.2 | 19.4 | IE2 / IE3 |
| | 15 | MEC 160M | 3 x 400 V - Δ | 27 | 26.5 | IE2 / IE3 |

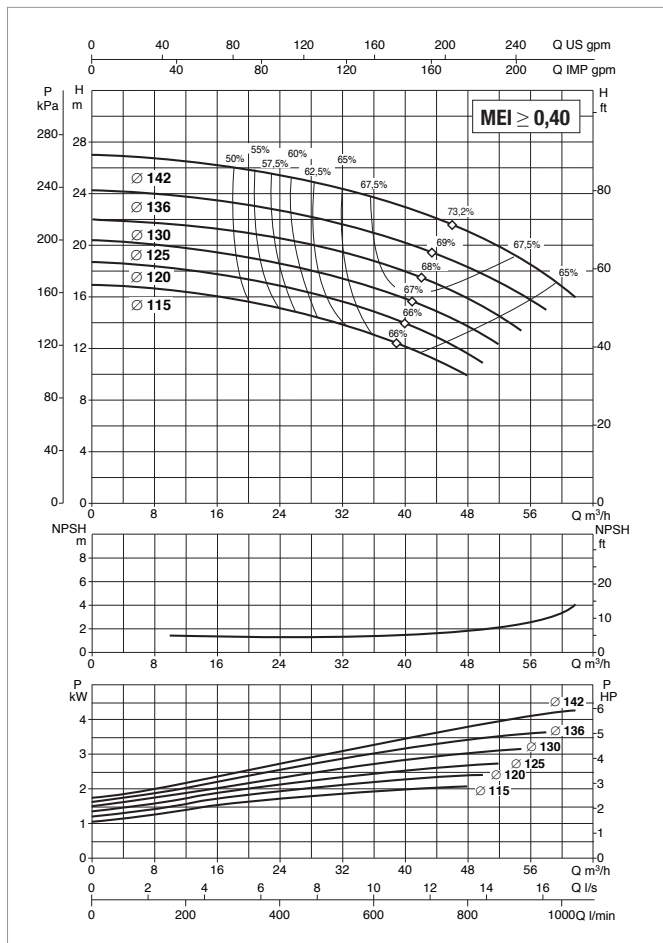
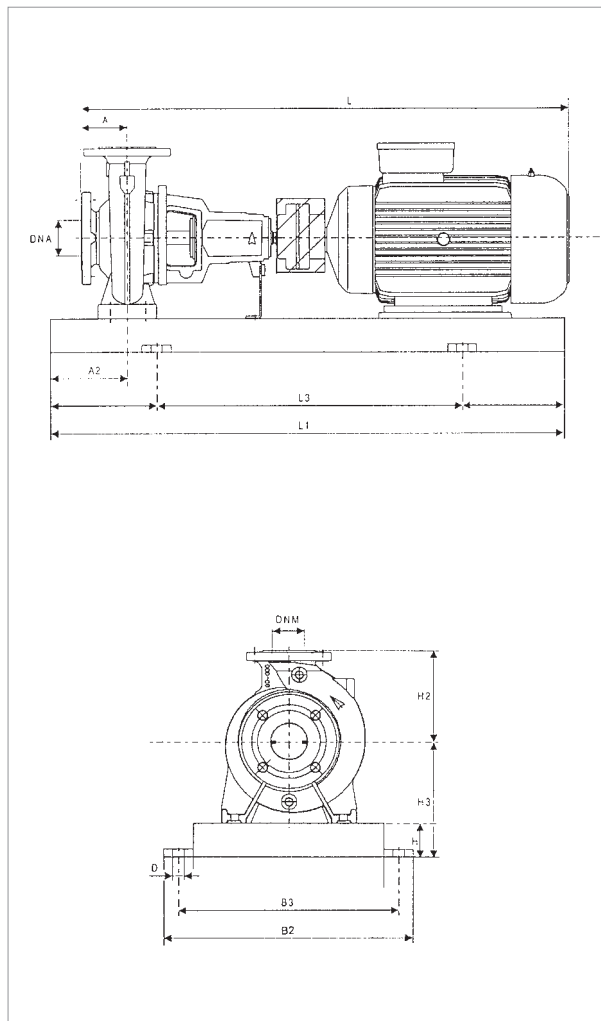
| MODEL | POWER (kW) | UNIT DIMENSIONS (mm) | | | | | | | | | | FLANGE DIMENSIONS (mm) | | STANDARD COUPLING | | | | SPACER COUPLING | | | | REF. |
|------------|------------|----------------------|-----------|-----|-----------|-----|-----------|-----|-----------|-----|-----------|------------------------|-----------|-------------------|-----------|------|-----------|-----------------|-----------|------|-----|------|
| | | A | A2 | H2 | H | H3 | L1 | L3 | B2 | B3 | D | DNA | DNM | IE2 | | IE3 | | IE2 | | IE3 | | |
| | | L | WEIGHT kg | L | WEIGHT kg | L | WEIGHT kg | L | WEIGHT kg | L | WEIGHT kg | L | WEIGHT kg | L | WEIGHT kg | L | WEIGHT kg | L | WEIGHT kg | | | |
| KDN 32-200 | 3 | 80 | 60 | 180 | 65 | 225 | 900 | 600 | 390 | 350 | 19 | 50 | 32 | 830 | 103 | - | - | 930 | 108 | - | - | 3 |
| | 4 | 80 | 60 | 180 | 65 | 225 | 900 | 600 | 390 | 350 | 19 | 50 | 32 | 845 | 104 | - | - | 945 | 109 | - | - | 3 |
| | 5.5 | 80 | 60 | 180 | 80 | 240 | 1000 | 660 | 450 | 400 | 24 | 50 | 32 | 915 | 143 | - | - | 1015 | 148 | - | - | 4 |
| | 7.5 | 80 | 60 | 180 | 80 | 240 | 1000 | 660 | 450 | 400 | 24 | 50 | 32 | 915 | 177 | 925 | 151 | 1015 | 182 | 1025 | 156 | 4 |
| | 11 | 80 | 60 | 180 | 80 | 240 | 1120 | 740 | 490 | 440 | 24 | 50 | 32 | 1060 | 237 | 1060 | 214 | 1160 | 242 | 1160 | 219 | 5 |
| | 15 | 80 | 60 | 180 | 80 | 240 | 1120 | 740 | 490 | 440 | 24 | 50 | 32 | 1060 | 248 | 1060 | 221 | 1160 | 253 | 1160 | 226 | 5 |

Dimension and electrical data based on sizing definition following the instructions on page 96.

KDN 40-125 - 2 POLES - STANDARDISED CENTRIFUGAL ELECTRIC PUMPS FOR AIR CONDITIONING, REFRIGERATION, IRRIGATION, DECANTING, PRESSURISATION SYSTEMS, AND INDUSTRIAL APPLICATIONS

Pumped liquid temperature range: from -10 °C to +140 °C - Maximum ambient temperature: +40°C

= 2900 1/min



See hydraulic efficiency details on page 291.

The performance curves are based on kinematic viscosity values = 1 mm²/s and density equal to 1000 kg/m³. Curve tolerance according to ISO 9906.

| MODEL | ELECTRICAL DATA | | | | | |
|------------|-----------------------|------------|----------------------|-----------|------|------------|
| | POWER (kW) 2 POLES | MOTOR SIZE | POWER INPUT 50 Hz | In A | | MOTOR TYPE |
| | | | | IE2 | IE3 | |
| KDN 40-125 | 1.5 | MEC 90S | 3 x 230 - 400 V ~ | 5.80/3.35 | - | IE2 |
| | 2.2 | MEC 90L | 3 x 230 - 400 V ~ | 8.23/4.75 | - | IE2 |
| | 3 | MEC 100L | 3 x 400 V - Δ | 5.85 | - | IE2 |
| | 4 | MEC 112M | 3 x 400 V - Δ | 8.05 | - | IE2 |
| | 5.5 | MEC 132S | 3 x 400 V - Δ | 10.4 | - | IE2 |
| | 7.5 | MEC 132S | 3 x 400 V - Δ | 14 | 13.4 | IE2 / IE3 |

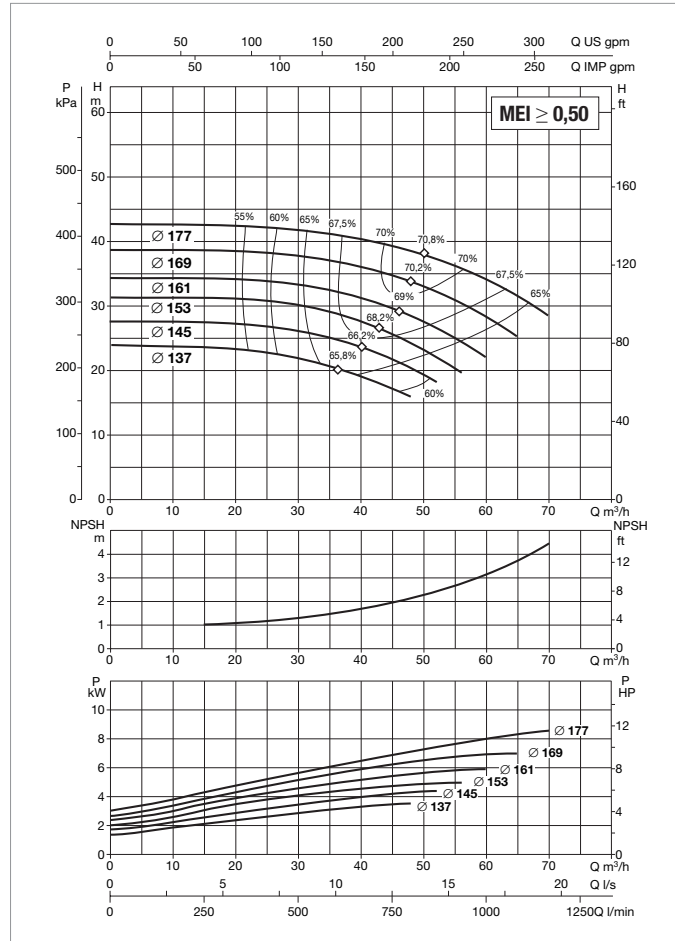
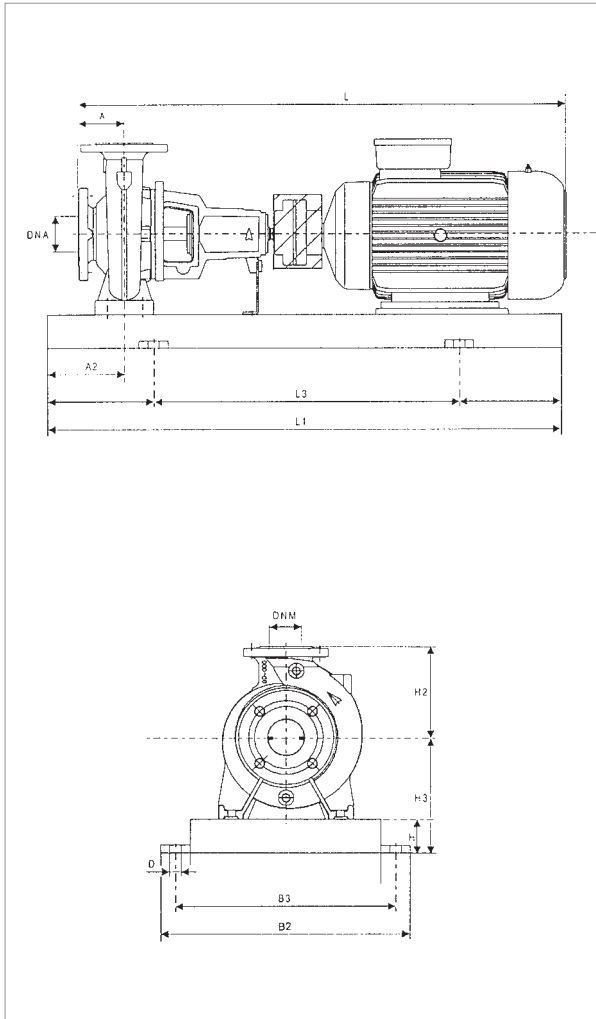
| MODEL | POWER (kW) | UNIT DIMENSIONS (mm) | | | | | | | | | | FLANGE DIMENSIONS (mm) | | STANDARD COUPLING | | | | SPACER COUPLING | | | | REF. |
|------------|------------|----------------------|-----------|-----|-----------|-----|-----------|-----|-----------|-----|-----------|------------------------|-----------|-------------------|-----------|-----|-----------|-----------------|-----------|------|-----|------|
| | | A | A2 | H2 | H | H3 | L1 | L3 | B2 | B3 | D | DNA | DNM | IE2 | | IE3 | | IE2 | | IE3 | | |
| | | L | WEIGHT kg | L | WEIGHT kg | L | WEIGHT kg | L | WEIGHT kg | L | WEIGHT kg | L | WEIGHT kg | L | WEIGHT kg | L | WEIGHT kg | L | WEIGHT kg | | | |
| KDN 40-125 | 1.5 | 80 | 60 | 140 | 65 | 177 | 800 | 540 | 360 | 320 | 19 | 65 | 40 | 765 | 86 | - | - | 865 | 91 | - | - | 2 |
| | 2.2 | 80 | 60 | 140 | 65 | 177 | 900 | 600 | 390 | 350 | 19 | 65 | 40 | 790 | 91 | - | - | 890 | 96 | - | - | 3 |
| | 3 | 80 | 60 | 140 | 65 | 177 | 900 | 600 | 390 | 350 | 19 | 65 | 40 | 830 | 91 | - | - | 930 | 96 | - | - | 3 |
| | 4 | 80 | 60 | 140 | 65 | 177 | 900 | 600 | 390 | 350 | 19 | 65 | 40 | 845 | 102 | - | - | 945 | 107 | - | - | 3 |
| | 5.5 | 80 | 60 | 140 | 80 | 212 | 1000 | 660 | 450 | 400 | 24 | 65 | 40 | 915 | 134 | - | - | 1015 | 139 | - | - | 4 |
| | 7.5 | 80 | 60 | 140 | 80 | 212 | 1000 | 600 | 450 | 400 | 24 | 65 | 40 | 915 | 137 | 925 | 111 | 1015 | 142 | 1025 | 116 | 4 |

Dimension and electrical data based on sizing definition following the instructions on page 96.

KDN 40-160 - 2 POLES - STANDARDISED CENTRIFUGAL ELECTRIC PUMPS FOR AIR CONDITIONING, REFRIGERATION, IRRIGATION, DECANTING, PRESSURISATION SYSTEMS, AND INDUSTRIAL APPLICATIONS

Pumped liquid temperature range: from -10 °C to +140 °C - Maximum ambient temperature: +40°C

= 2900 1/min



See hydraulic efficiency details on page 291.

The performance curves are based on kinematic viscosity values = 1 mm²/s and density equal to 1000 kg/m³. Curve tolerance according to ISO 9906.

| MODEL | ELECTRICAL DATA | | | | | |
|------------|-----------------------|------------|----------------------|------|------|------------|
| | POWER (kW) 2 POLES | MOTOR SIZE | POWER INPUT 50 Hz | In A | | MOTOR TYPE |
| | | | | IE2 | IE3 | |
| KDN 40-160 | 3 | MEC 100L | 3 x 400 V - Δ | 5.85 | - | IE2 |
| | 4 | MEC 112M | 3 x 400 V - Δ | 8.05 | - | IE2 |
| | 5.5 | MEC 132S | 3 x 400 V - Δ | 10.4 | - | IE2 |
| | 7.5 | MEC 132S | 3 x 400 V - Δ | 14 | 13.4 | IE2 / IE3 |
| | 11 | MEC 160M | 3 x 400 V - Δ | 20.2 | 19.4 | IE2 / IE3 |
| | 15 | MEC 160M | 3 x 400 V - Δ | 27 | 26.5 | IE2 / IE3 |

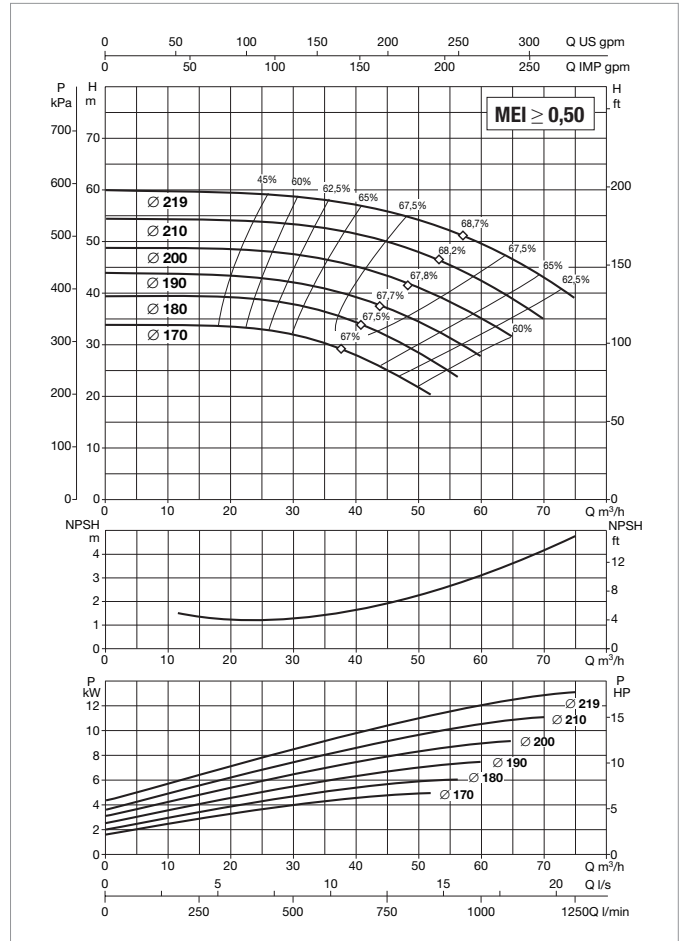
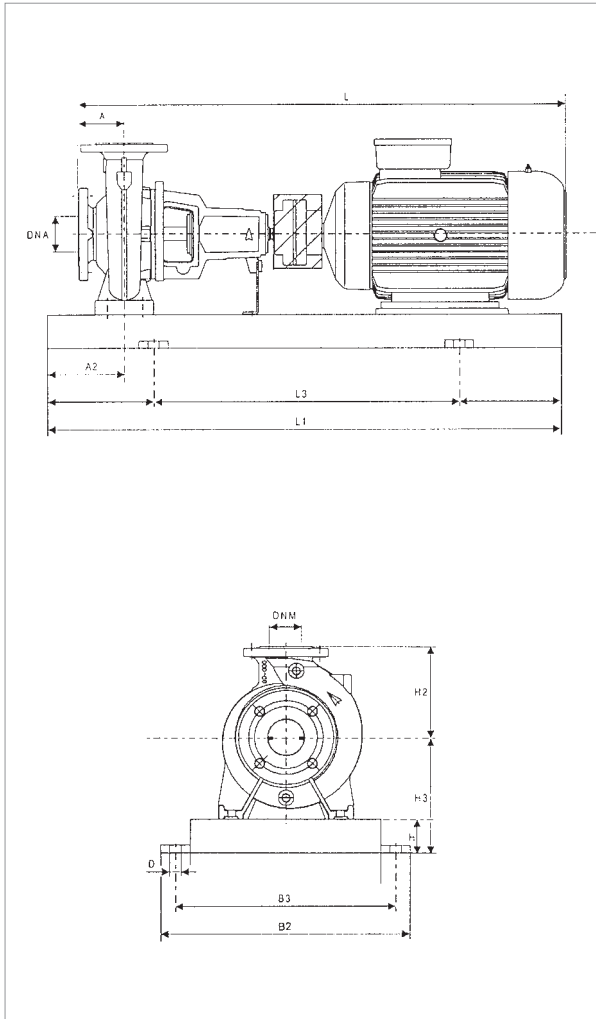
| MODEL | POWER (kW) | UNIT DIMENSIONS (mm) | | | | | | | | | | FLANGE DIMENSIONS (mm) | | STANDARD COUPLING | | | | SPACER COUPLING | | | | REF. |
|------------|------------|----------------------|-----------|-----|-----------|-----|-----------|-----|-----------|-----|-----------|------------------------|-----------|-------------------|-----------|------|-----------|-----------------|-----------|------|-----|------|
| | | A | A2 | H2 | H | H3 | L1 | L3 | B2 | B3 | D | DNA | DNM | IE2 | | IE3 | | IE2 | | IE3 | | |
| | | L | WEIGHT kg | L | WEIGHT kg | L | WEIGHT kg | L | WEIGHT kg | L | WEIGHT kg | L | WEIGHT kg | L | WEIGHT kg | L | WEIGHT kg | L | WEIGHT kg | | | |
| KDN 40-160 | 3 | 80 | 60 | 160 | 65 | 197 | 900 | 600 | 390 | 350 | 19 | 65 | 40 | 826 | 102 | - | - | 930 | 107 | - | - | 3 |
| | 4 | 80 | 60 | 160 | 65 | 197 | 900 | 600 | 390 | 350 | 19 | 65 | 40 | 846 | 104 | - | - | 945 | 109 | - | - | 3 |
| | 5.5 | 80 | 60 | 160 | 80 | 212 | 1000 | 660 | 450 | 400 | 24 | 65 | 40 | 959 | 160 | - | - | 1015 | 165 | - | - | 4 |
| | 7.5 | 80 | 60 | 160 | 80 | 212 | 1000 | 660 | 450 | 400 | 24 | 65 | 40 | 915 | 165 | 925 | 139 | 1015 | 170 | 1025 | 144 | 4 |
| | 11 | 80 | 60 | 160 | 80 | 240 | 1120 | 740 | 490 | 440 | 24 | 65 | 40 | 1060 | 173 | 1060 | 150 | 1160 | 178 | 1160 | 155 | 5 |
| | 15 | 80 | 60 | 160 | 80 | 240 | 1120 | 740 | 490 | 440 | 24 | 65 | 40 | 1060 | 173 | 1060 | 146 | 1160 | 178 | 1160 | 151 | 5 |

Dimension and electrical data based on sizing definition following the instructions on page 96.

KDN 40-200 - 2 POLES - STANDARDISED CENTRIFUGAL ELECTRIC PUMPS FOR AIR CONDITIONING, REFRIGERATION, IRRIGATION, DECANTING, PRESSURISATION SYSTEMS, AND INDUSTRIAL APPLICATIONS

Pumped liquid temperature range: from -10 °C to +140 °C - Maximum ambient temperature: +40°C

= 2900 1/min



See hydraulic efficiency details on page 291.

The performance curves are based on kinematic viscosity values = 1 mm²/s and density equal to 1000 kg/m³. Curve tolerance according to ISO 9906.

| MODEL | ELECTRICAL DATA | | | | | |
|------------|-----------------------|------------|----------------------|------|------|------------|
| | POWER (kW) 2 POLES | MOTOR SIZE | POWER INPUT 50 Hz | In A | | MOTOR TYPE |
| | | | | IE2 | IE3 | |
| KDN 40-200 | 4 | MEC 112M | 3 x 400 V - Δ | 8.05 | - | IE2 |
| | 5.5 | MEC 132S | 3 x 400 V - Δ | 10.4 | - | IE2 |
| | 7.5 | MEC 132S | 3 x 400 V - Δ | 14 | 13.4 | IE2 / IE3 |
| | 11 | MEC 160M | 3 x 400 V - Δ | 20.2 | 19.4 | IE2 / IE3 |
| | 15 | MEC 160M | 3 x 400 V - Δ | 27 | 26.5 | IE2 / IE3 |
| | 18.5 | MEC 160L | 3 x 400 V - Δ | 33 | 32 | IE2 / IE3 |

| MODEL | POWER (kW) | UNIT DIMENSIONS (mm) | | | | | | | | | | FLANGE DIMENSIONS (mm) | | STANDARD COUPLING | | | | SPACER COUPLING | | | | REF. |
|------------|------------|----------------------|-----------|-----|-----------|-----|-----------|-----|-----------|-----|-----------|------------------------|-----------|-------------------|-----------|------|-----------|-----------------|-----------|------|-----|------|
| | | A | A2 | H2 | H | H3 | L1 | L3 | B2 | B3 | D | DNA | DNM | IE2 | | IE3 | | IE2 | | IE3 | | |
| | | L | WEIGHT kg | L | WEIGHT kg | L | WEIGHT kg | L | WEIGHT kg | L | WEIGHT kg | L | WEIGHT kg | L | WEIGHT kg | L | WEIGHT kg | L | WEIGHT kg | | | |
| KDN 40-200 | 4 | 100 | 60 | 180 | 65 | 225 | 900 | 600 | 390 | 350 | 19 | 65 | 40 | 865 | 135 | - | - | 965 | 140 | - | - | 3 |
| | 5.5 | 100 | 60 | 180 | 80 | 240 | 1000 | 660 | 450 | 400 | 24 | 65 | 40 | 935 | 146 | - | - | 1035 | 151 | - | - | 4 |
| | 7.5 | 100 | 60 | 180 | 80 | 240 | 1000 | 660 | 450 | 400 | 24 | 65 | 40 | 935 | 147 | 945 | 121 | 1035 | 152 | 1045 | 126 | 4 |
| | 11 | 100 | 60 | 180 | 80 | 240 | 1120 | 740 | 490 | 440 | 24 | 65 | 40 | 1080 | 221 | 1080 | 198 | 1180 | 226 | 1180 | 203 | 5 |
| | 15 | 100 | 60 | 180 | 80 | 240 | 1120 | 740 | 490 | 440 | 24 | 65 | 40 | 1080 | 231 | 1080 | 204 | 1180 | 236 | 1180 | 209 | 5 |
| | 18.5 | 100 | 60 | 180 | 80 | 240 | 1120 | 740 | 490 | 440 | 24 | 65 | 40 | 1135 | 231 | 1123 | 199 | 1235 | 236 | 1223 | 204 | 5 |

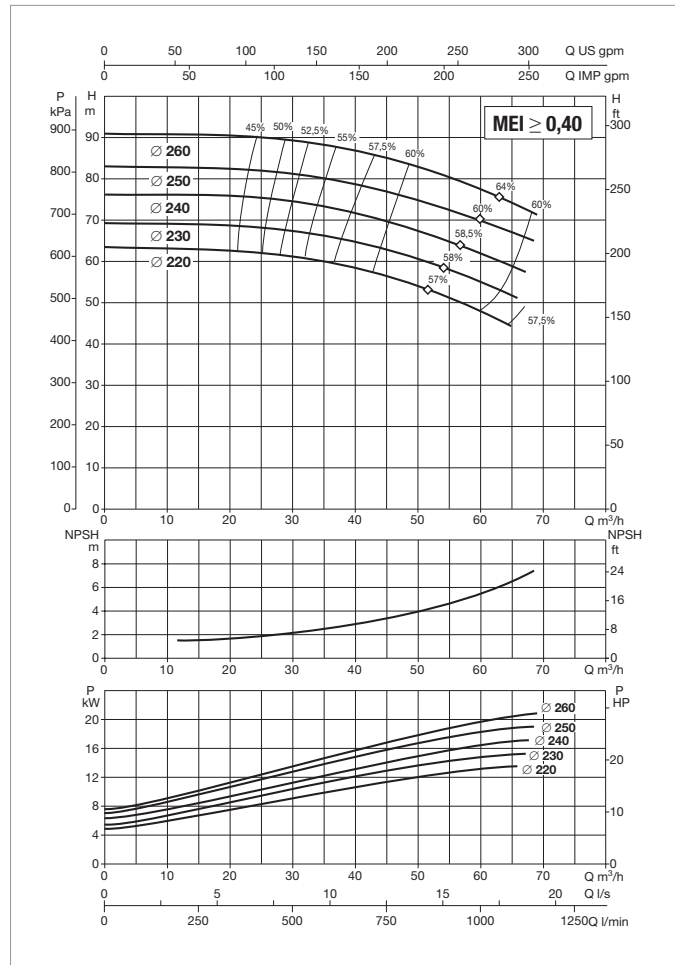
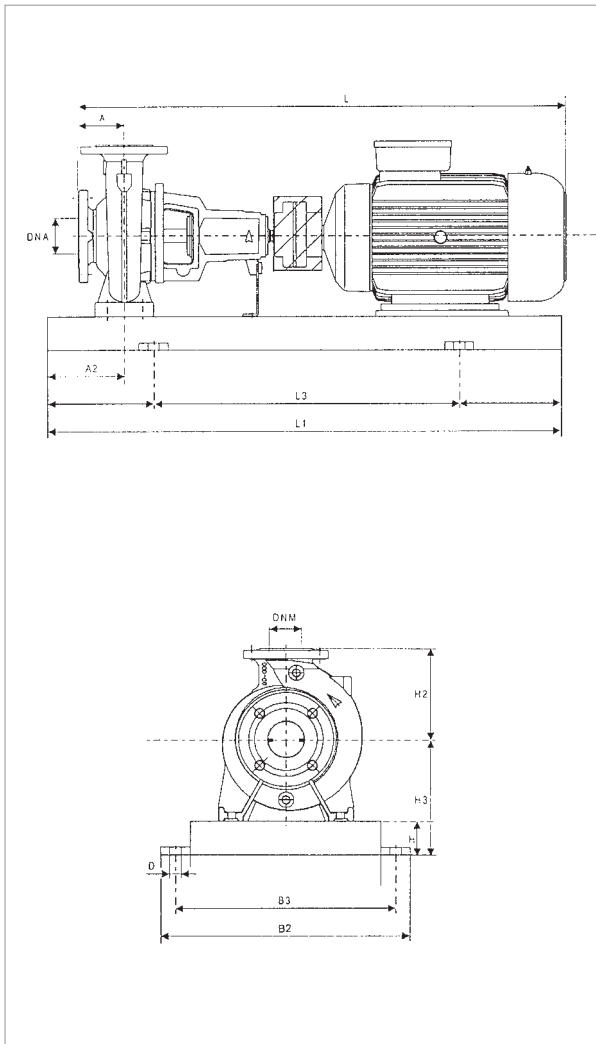
Dimension and electrical data based on sizing definition following the instructions on page 96.



KDN 40-250 - 2 POLES - STANDARDISED CENTRIFUGAL ELECTRIC PUMPS FOR AIR CONDITIONING, REFRIGERATION, IRRIGATION, DECANTING, PRESSURISATION SYSTEMS, AND INDUSTRIAL APPLICATIONS

Pumped liquid temperature range: from -10 °C to +140 °C - Maximum ambient temperature: +40°C

= 2900 1/min



See hydraulic efficiency details on page 291.

The performance curves are based on kinematic viscosity values = 1 mm²/s and density equal to 1000 kg/m³. Curve tolerance according to ISO 9906.

| MODEL | ELECTRICAL DATA | | | | | |
|------------|-----------------------|------------|----------------------|------|------|------------|
| | POWER (kW) 2 POLES | MOTOR SIZE | POWER INPUT 50 Hz | In A | | MOTOR TYPE |
| | | | | IE2 | IE3 | |
| KDN 40-250 | 11 | MEC 160M | 3 x 400 V - Δ | 20.2 | 19.4 | IE2 / IE3 |
| | 15 | MEC 160M | 3 x 400 V - Δ | 27 | 26.5 | IE2 / IE3 |
| | 18.5 | MEC 160L | 3 x 400 V - Δ | 33 | 32 | IE2 / IE3 |
| | 22 | MEC 180M | 3 x 400 V - Δ | 39.5 | 38 | IE2 / IE3 |
| | 30 | MEC 200L | 3 x 400 V - Δ | 52 | 52 | IE2 / IE3 |

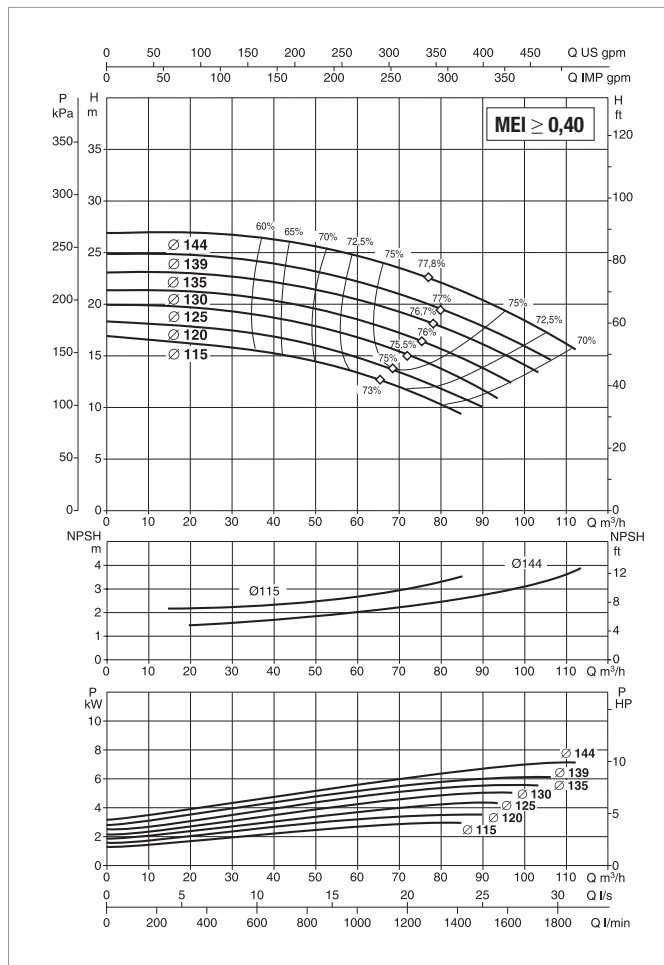
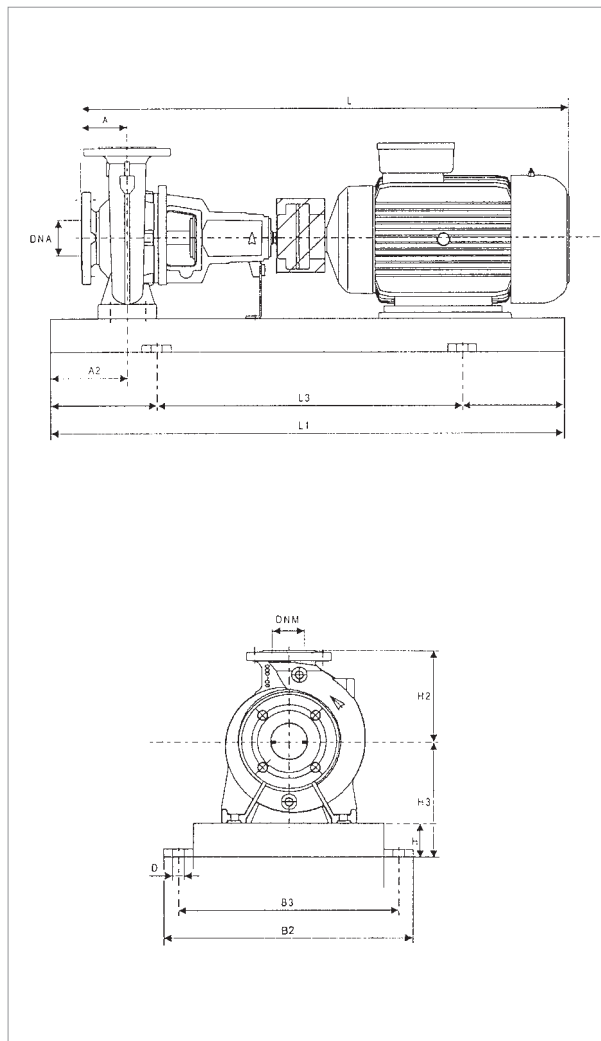
| MODEL | POWER (kW) | UNIT DIMENSIONS (mm) | | | | | | | | | | FLANGE DIMENSIONS (mm) | | STANDARD COUPLING | | | | SPACER COUPLING | | | | REF. |
|------------|------------|----------------------|----|-----|-----|-----|------|-----|-----|-----|----|------------------------|-----|-------------------|-----------|------|-----------|-----------------|-----------|------|-----------|------|
| | | A | A2 | H2 | H | H3 | L1 | L3 | B2 | B3 | D | DnA | DnM | IE2 | | IE3 | | IE2 | | IE3 | | |
| | | | | | | | | | | | | | | L | WEIGHT kg | L | WEIGHT kg | L | WEIGHT kg | L | WEIGHT kg | |
| KDN 40-250 | 11 | 100 | 75 | 225 | 80 | 260 | 1250 | 840 | 540 | 490 | 24 | 65 | 40 | 1080 | 236 | 1080 | 213 | 1180 | 241 | 1180 | 218 | 6 |
| | 15 | 100 | 75 | 225 | 80 | 260 | 1250 | 840 | 540 | 490 | 24 | 65 | 40 | 1080 | 278 | 1080 | 251 | 1180 | 283 | 1180 | 256 | 6 |
| | 18.5 | 100 | 75 | 225 | 80 | 260 | 1250 | 840 | 540 | 490 | 24 | 65 | 40 | 1135 | 298 | 1123 | 266 | 1235 | 303 | 1223 | 271 | 6 |
| | 22 | 100 | 75 | 225 | 80 | 260 | 1250 | 840 | 540 | 490 | 24 | 65 | 40 | 1155 | 320 | 1155 | 278 | 1255 | 325 | 1255 | 283 | 6 |
| | 30 | 100 | 75 | 225 | 100 | 300 | 1400 | 940 | 610 | 550 | 28 | 65 | 40 | 1235 | 320 | 1245 | 332 | 1335 | 325 | 1345 | 337 | 7 |

Dimension and electrical data based on sizing definition following the instructions on page 96.

KDN 50-125 - 2 POLES - STANDARDISED CENTRIFUGAL ELECTRIC PUMPS FOR AIR CONDITIONING, REFRIGERATION, IRRIGATION, DECANTING, PRESSURISATION SYSTEMS, AND INDUSTRIAL APPLICATIONS

Pumped liquid temperature range: from -10 °C to +140 °C - Maximum ambient temperature: +40°C

= 2900 1/min



See hydraulic efficiency details on page 291.

The performance curves are based on kinematic viscosity values = 1 mm²/s and density equal to 1000 kg/m³. Curve tolerance according to ISO 9906.

| MODEL | ELECTRICAL DATA | | | | | |
|------------|-----------------------|------------|----------------------|------|------|------------|
| | POWER (kW) 2 POLES | MOTOR SIZE | POWER INPUT 50 Hz | In A | | MOTOR TYPE |
| | | | | IE2 | IE3 | |
| KDN 50-125 | 3 | MEC 100L | 3 x 400 V - Δ | 5.85 | - | IE2 |
| | 4 | MEC 112M | 3 x 400 V - Δ | 8.05 | - | IE2 |
| | 5.5 | MEC 132S | 3 x 400 V - Δ | 10.4 | - | IE2 |
| | 7.5 | MEC 132S | 3 x 400 V - Δ | 14 | 13.4 | IE2 / IE3 |
| | 11 | MEC 160M | 3 x 400 V - Δ | 20.2 | 19.4 | IE2 / IE3 |

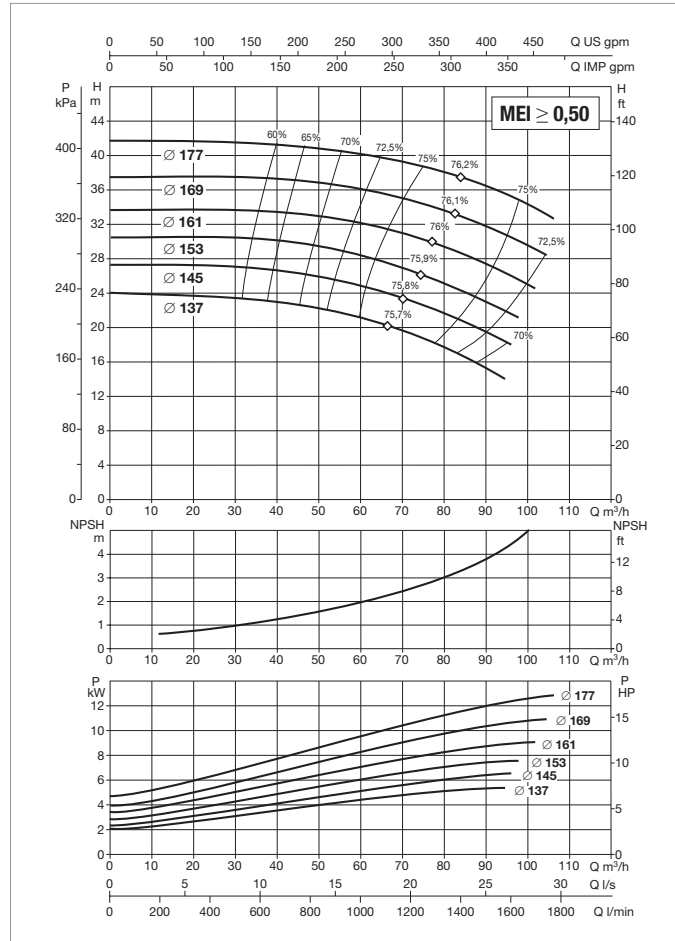
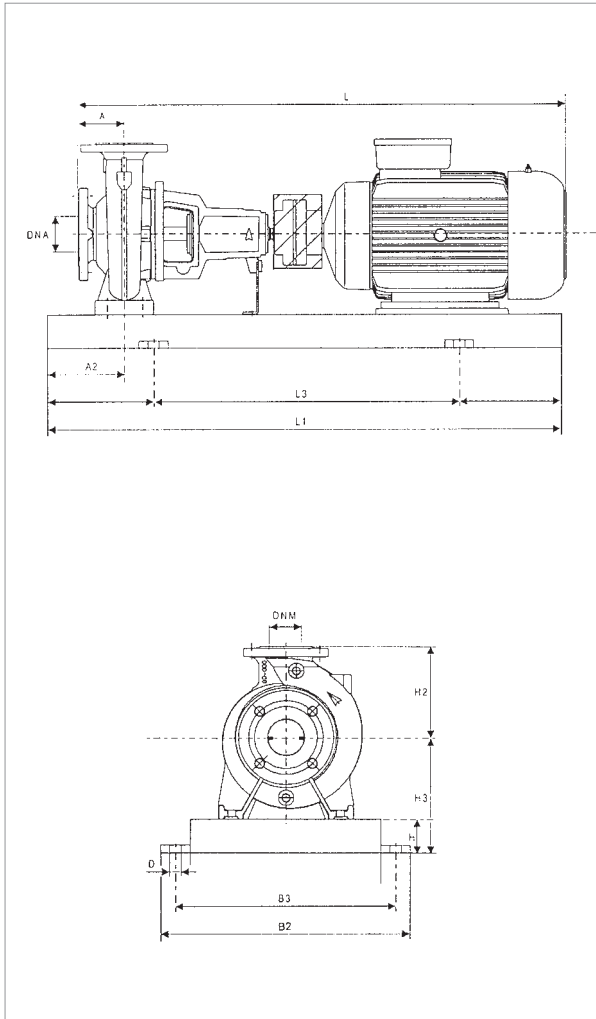
| MODEL | POWER (kW) | UNIT DIMENSIONS (mm) | | | | | | | | | | FLANGE DIMENSIONS (mm) | | STANDARD COUPLING | | | | SPACER COUPLING | | | | REF. |
|------------|------------|----------------------|----|-----|----|-----|------|-----|-----|-----|----|------------------------|-----|-------------------|-----------|------|-----------|-----------------|-----------|------|-----------|------|
| | | A | A2 | H2 | H | H3 | L1 | L3 | B2 | B3 | D | DNa | DNM | IE2 | | IE3 | | IE2 | | IE3 | | |
| | | | | | | | | | | | | | | L | WEIGHT kg | L | WEIGHT kg | L | WEIGHT kg | L | WEIGHT kg | |
| KDN 50-125 | 3 | 100 | 60 | 160 | 65 | 197 | 900 | 600 | 390 | 350 | 19 | 65 | 50 | 850 | 105 | - | - | 950 | 110 | - | - | 3 |
| | 4 | 100 | 60 | 160 | 65 | 197 | 900 | 600 | 390 | 350 | 19 | 65 | 50 | 865 | 109 | - | - | 965 | 114 | - | - | 3 |
| | 5.5 | 100 | 60 | 160 | 80 | 212 | 1000 | 660 | 450 | 400 | 24 | 65 | 50 | 935 | 143 | - | - | 1035 | 148 | - | - | 4 |
| | 7.5 | 100 | 60 | 160 | 80 | 212 | 1000 | 660 | 450 | 400 | 24 | 65 | 50 | 935 | 143 | 945 | 117 | 1035 | 148 | 1045 | 122 | 4 |
| | 11 | 100 | 60 | 160 | 80 | 240 | 1120 | 740 | 490 | 400 | 24 | 65 | 50 | 1080 | 143 | 1080 | 120 | 1180 | 148 | 1180 | 125 | 5 |

Dimension and electrical data based on sizing definition following the instructions on page 96.

KDN 50-160 - 2 POLES - STANDARDISED CENTRIFUGAL ELECTRIC PUMPS FOR AIR CONDITIONING, REFRIGERATION, IRRIGATION, DECANTING, PRESSURISATION SYSTEMS, AND INDUSTRIAL APPLICATIONS

Pumped liquid temperature range: from -10 °C to +140 °C - Maximum ambient temperature: +40°C

= 2900 1/min



See hydraulic efficiency details on page 291.

The performance curves are based on kinematic viscosity values = 1 mm²/s and density equal to 1000 kg/m³. Curve tolerance according to ISO 9906.

| MODEL | ELECTRICAL DATA | | | | | |
|------------|-----------------------|------------|----------------------|------|------|------------|
| | POWER (kW) 2 POLES | MOTOR SIZE | POWER INPUT 50 Hz | In A | | MOTOR TYPE |
| | | | | IE2 | IE3 | |
| KDN 50-160 | 4 | MEC 112M | 3 x 400 V - Δ | 8.05 | - | IE2 |
| | 5.5 | MEC 132S | 3 x 400 V - Δ | 10.4 | - | IE2 |
| | 7.5 | MEC 132S | 3 x 400 V - Δ | 14 | 13.4 | IE2 / IE3 |
| | 11 | MEC 160M | 3 x 400 V - Δ | 20.2 | 19.4 | IE2 / IE3 |
| | 15 | MEC 160M | 3 x 400 V - Δ | 27 | 26.5 | IE2 / IE3 |
| | 18.5 | MEC 160L | 3 x 400 V - Δ | 33 | 32 | IE2 / IE3 |

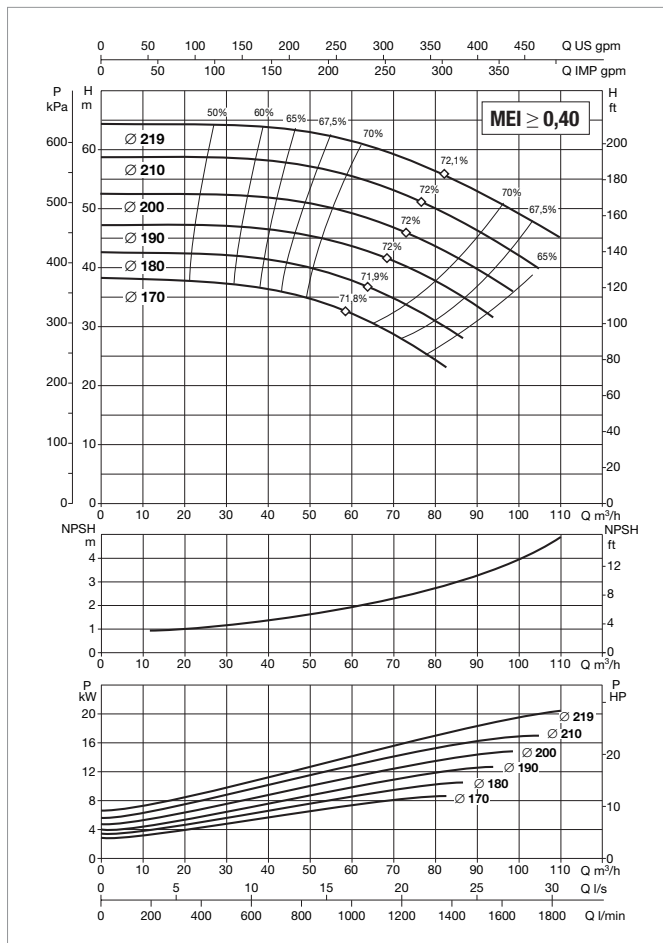
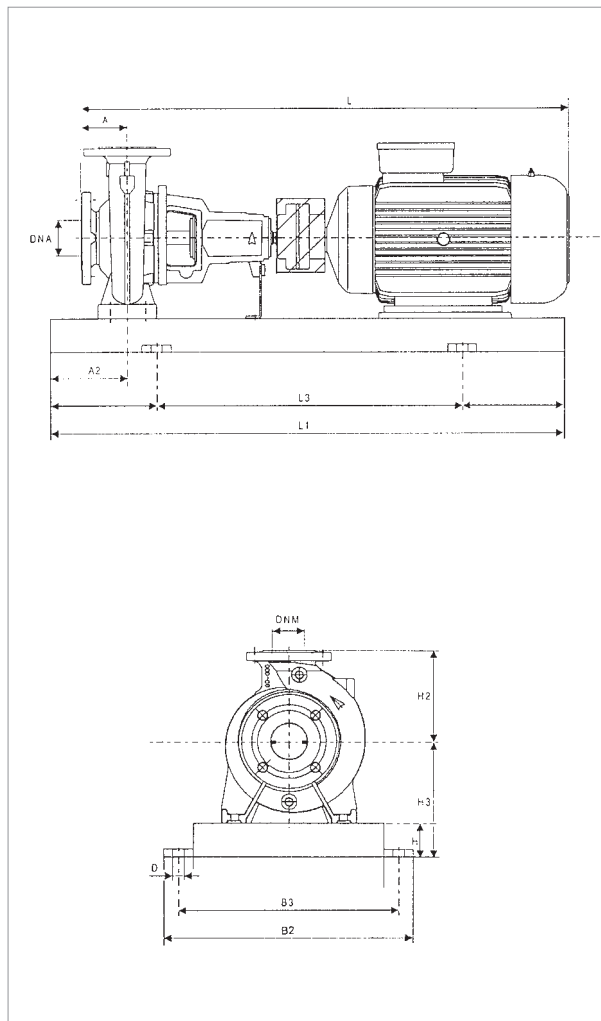
| MODEL | POWER (kW) | UNIT DIMENSIONS (mm) | | | | | | | | | | FLANGE DIMENSIONS (mm) | | STANDARD COUPLING | | | | SPACER COUPLING | | | | REF. |
|------------|------------|----------------------|-----------|-----|-----------|-----|-----------|-----|-----------|-----|-----------|------------------------|-----|-------------------|-----|------|-----|-----------------|-----|------|-----|------|
| | | A | A2 | H2 | H | H3 | L1 | L3 | B2 | B3 | D | DNA | DNM | IE2 | | IE3 | | IE2 | | IE3 | | |
| | | L | WEIGHT kg | L | WEIGHT kg | L | WEIGHT kg | L | WEIGHT kg | L | WEIGHT kg | | | | | | | | | | | |
| KDN 50-160 | 4 | 100 | 60 | 180 | 65 | 225 | 900 | 600 | 390 | 350 | 19 | 65 | 50 | 865 | 132 | - | - | 965 | 137 | - | - | 3 |
| | 5.5 | 100 | 60 | 180 | 80 | 240 | 1000 | 660 | 450 | 400 | 24 | 65 | 50 | 935 | 143 | - | - | 1035 | 148 | - | - | 4 |
| | 7.5 | 100 | 60 | 180 | 80 | 240 | 1000 | 660 | 450 | 400 | 24 | 65 | 50 | 935 | 177 | 945 | 151 | 1035 | 182 | 1045 | 156 | 4 |
| | 11 | 100 | 60 | 180 | 80 | 240 | 1120 | 740 | 490 | 440 | 24 | 65 | 50 | 1080 | 188 | 1080 | 165 | 1180 | 193 | 1180 | 170 | 5 |
| | 15 | 100 | 60 | 180 | 80 | 240 | 1120 | 740 | 490 | 440 | 24 | 65 | 50 | 1080 | 200 | 1080 | 173 | 1180 | 205 | 1180 | 178 | 5 |
| | 18.5 | 100 | 60 | 180 | 80 | 240 | 1120 | 740 | 490 | 440 | 24 | 65 | 50 | 1135 | 202 | 1123 | 170 | 1235 | 207 | 1223 | 175 | 5 |

Dimension and electrical data based on sizing definition following the instructions on page 96.

KDN 50-200 - 2 POLES - STANDARDISED CENTRIFUGAL ELECTRIC PUMPS FOR AIR CONDITIONING, REFRIGERATION, IRRIGATION, DECANTING, PRESSURISATION SYSTEMS, AND INDUSTRIAL APPLICATIONS

Pumped liquid temperature range: from -10 °C to +140 °C - Maximum ambient temperature: +40°C

= 2900 1/min



See hydraulic efficiency details on page 291.

The performance curves are based on kinematic viscosity values = 1 mm²/s and density equal to 1000 kg/m³. Curve tolerance according to ISO 9906.

| MODEL | ELECTRICAL DATA | | | | | |
|------------|-----------------------|------------|----------------------|------|------|------------|
| | POWER (kW) 2 POLES | MOTOR SIZE | POWER INPUT 50 Hz | In A | | MOTOR TYPE |
| | | | | IE2 | IE3 | |
| KDN 50-200 | 7.5 | MEC 132S | 3 x 400 V - Δ | 14 | 13.4 | IE2 / IE3 |
| | 11 | MEC 160M | 3 x 400 V - Δ | 20.2 | 19.4 | IE2 / IE3 |
| | 15 | MEC 160M | 3 x 400 V - Δ | 27 | 26.5 | IE2 / IE3 |
| | 18.5 | MEC 160L | 3 x 400 V - Δ | 33 | 32 | IE2 / IE3 |
| | 22 | MEC 180M | 3 x 400 V - Δ | 39.5 | 38 | IE2 / IE3 |
| | 30 | MEC 200L | 3 x 400 V - Δ | 52 | 52 | IE2 / IE3 |

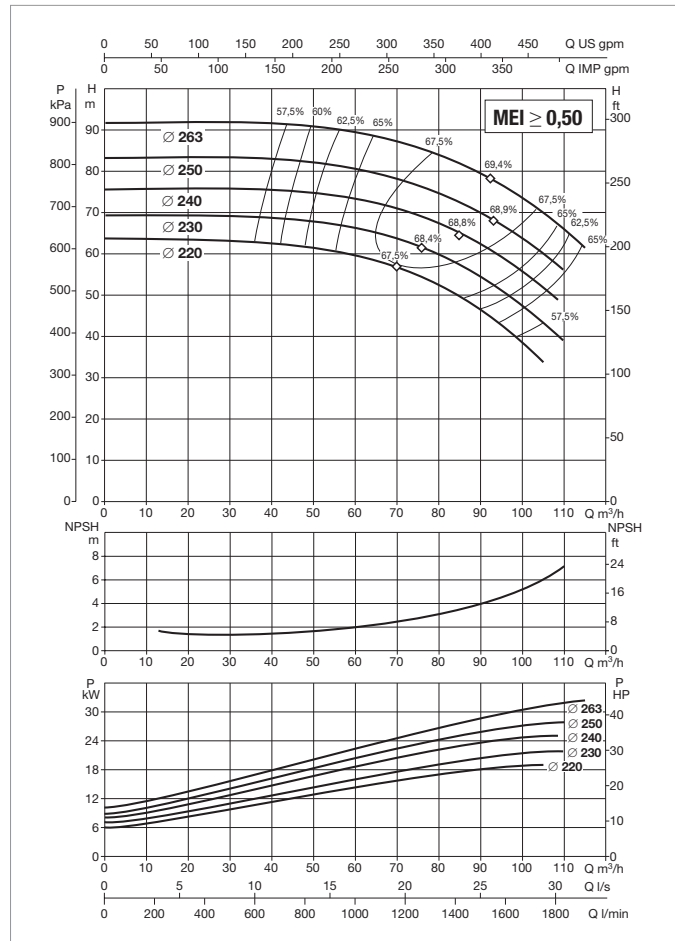
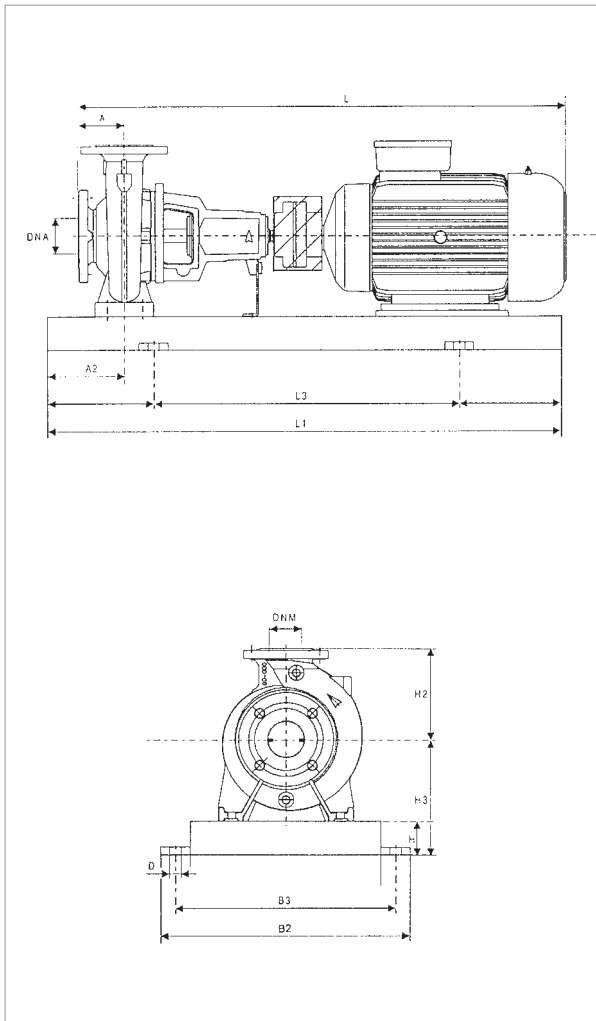
| MODEL | POWER (kW) | UNIT DIMENSIONS (mm) | | | | | | | | | | FLANGE DIMENSIONS (mm) | | STANDARD COUPLING | | | | SPACER COUPLING | | | | REF. |
|------------|------------|----------------------|-----------|-----|-----------|-----|-----------|-----|-----------|-----|-----------|------------------------|-----------|-------------------|-----------|------|-----------|-----------------|-----------|------|-----|------|
| | | A | A2 | H2 | H | H3 | L1 | L3 | B2 | B3 | D | DN A | DN M | IE2 | | IE3 | | IE2 | | IE3 | | |
| | | L | WEIGHT kg | L | WEIGHT kg | L | WEIGHT kg | L | WEIGHT kg | L | WEIGHT kg | L | WEIGHT kg | L | WEIGHT kg | L | WEIGHT kg | L | WEIGHT kg | | | |
| KDN 50-200 | 7.5 | 100 | 60 | 200 | 80 | 240 | 1000 | 600 | 450 | 400 | 24 | 65 | 50 | 935 | 176 | 945 | 150 | 1035 | 181 | 1045 | 155 | 4 |
| | 11 | 100 | 60 | 200 | 80 | 240 | 1120 | 740 | 490 | 440 | 24 | 65 | 50 | 1080 | 186 | 1080 | 163 | 1180 | 191 | 1180 | 168 | 5 |
| | 15 | 100 | 60 | 200 | 80 | 240 | 1120 | 740 | 490 | 400 | 24 | 65 | 50 | 1080 | 280 | 1080 | 253 | 1180 | 285 | 1180 | 258 | 5 |
| | 18.5 | 100 | 60 | 200 | 80 | 240 | 1120 | 740 | 490 | 440 | 24 | 65 | 50 | 1135 | 283 | 1123 | 251 | 1235 | 288 | 1223 | 256 | 5 |
| | 22 | 100 | 60 | 200 | 80 | 260 | 1120 | 740 | 490 | 440 | 24 | 65 | 50 | 1155 | 290 | 1155 | 248 | 1255 | 295 | 1255 | 253 | 5 |
| | 30 | 100 | 60 | 200 | 80 | 280 | 1250 | 840 | 540 | 490 | 24 | 65 | 50 | 1235 | 290 | 1245 | 302 | 1335 | 295 | 1345 | 307 | 6 |

Dimension and electrical data based on sizing definition following the instructions on page 96.

KDN 50-250 - 2 POLES - STANDARDISED CENTRIFUGAL ELECTRIC PUMPS FOR AIR CONDITIONING, REFRIGERATION, IRRIGATION, DECANTING, PRESSURISATION SYSTEMS, AND INDUSTRIAL APPLICATIONS

Pumped liquid temperature range: from -10 °C to +140 °C - Maximum ambient temperature: +40°C

= 2900 1/min



See hydraulic efficiency details on page 291.

The performance curves are based on kinematic viscosity values = 1 mm²/s and density equal to 1000 kg/m³. Curve tolerance according to ISO 9906.

| MODEL | ELECTRICAL DATA | | | | | |
|------------|-----------------------|------------|----------------------|------|------|------------|
| | POWER (kW) 2 POLES | MOTOR SIZE | POWER INPUT 50 Hz | In A | | MOTOR TYPE |
| | | | | IE2 | IE3 | |
| KDN 50-250 | 15 | MEC 160M | 3 x 400 V - Δ | 27 | 26.5 | IE2 / IE3 |
| | 18.5 | MEC 160L | 3 x 400 V - Δ | 33 | 32 | IE2 / IE3 |
| | 22 | MEC 180M | 3 x 400 V - Δ | 39.5 | 38 | IE2 / IE3 |
| | 30 | MEC 200L | 3 x 400 V - Δ | 52 | 52 | IE2 / IE3 |
| | 37 | MEC 200L | 3 x 400 V - Δ | 64 | 63 | IE2 / IE3 |
| | 45 | MEC 225M | 3 x 400 V - Δ | 78.5 | 76 | IE2 / IE3 |

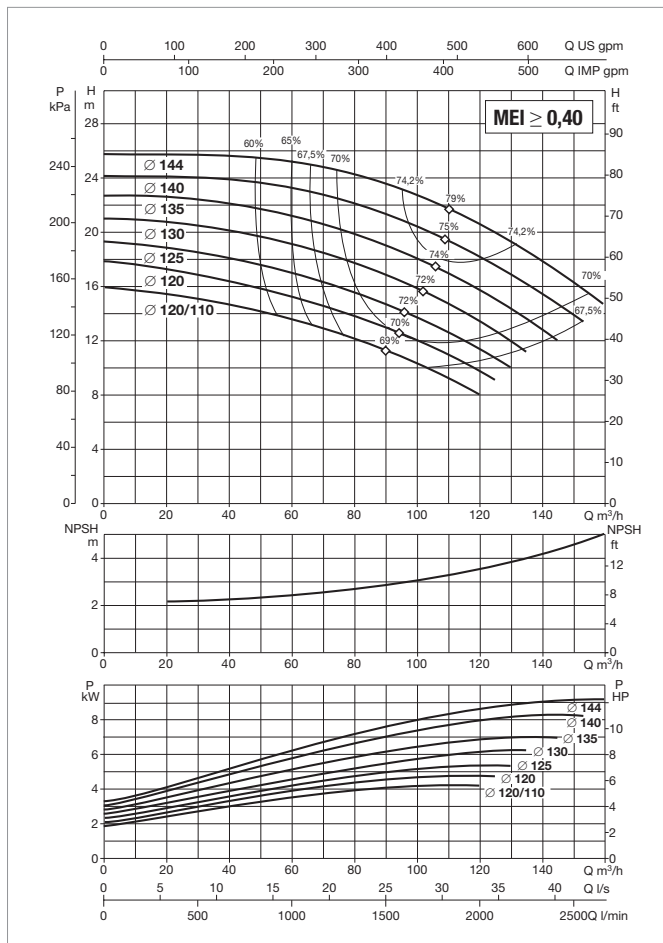
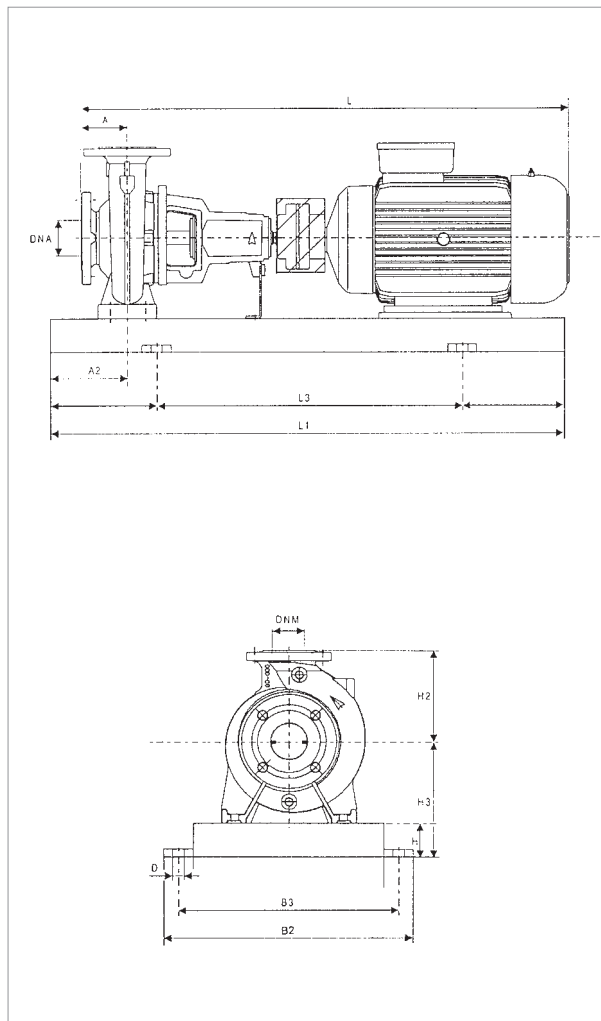
| MODEL | POWER (kW) | UNIT DIMENSIONS (mm) | | | | | | | | | FLANGE DIMENSIONS (mm) | | STANDARD COUPLING | | | | SPACER COUPLING | | | | REF. | |
|------------|------------|----------------------|-----------|-----|-----------|-----|-----------|-----|-----------|-----|------------------------|-----|-------------------|------|-----------|------|-----------------|------|-----------|------|------|---|
| | | A | A2 | H2 | H | H3 | L1 | L3 | B2 | B3 | D | DNA | DNM | IE2 | | IE3 | | IE2 | | IE3 | | |
| | | L | WEIGHT kg | L | WEIGHT kg | L | WEIGHT kg | L | WEIGHT kg | L | WEIGHT kg | L | WEIGHT kg | L | WEIGHT kg | L | WEIGHT kg | L | WEIGHT kg | | | |
| KDN 50-250 | 15 | 100 | 75 | 225 | 80 | 260 | 1250 | 840 | 540 | 490 | 24 | 65 | 50 | 1080 | 260 | 1080 | 233 | 1180 | 265 | 1180 | 238 | 6 |
| | 18.5 | 100 | 75 | 225 | 80 | 260 | 1250 | 840 | 540 | 490 | 24 | 65 | 50 | 1135 | 289 | 1123 | 257 | 1235 | 294 | 1223 | 262 | 6 |
| | 22 | 100 | 75 | 225 | 80 | 260 | 1250 | 840 | 540 | 490 | 24 | 65 | 50 | 1155 | 319 | 1155 | 277 | 1255 | 324 | 1255 | 282 | 6 |
| | 30 | 100 | 75 | 225 | 100 | 300 | 1400 | 940 | 610 | 550 | 28 | 65 | 50 | 1235 | 407 | 1245 | 419 | 1335 | 412 | 1345 | 424 | 7 |
| | 37 | 100 | 75 | 225 | 100 | 300 | 1400 | 940 | 610 | 550 | 28 | 65 | 50 | 1235 | 333 | 1245 | 358 | 1335 | 338 | 1345 | 363 | 7 |
| | 45 | 100 | 75 | 225 | 100 | 325 | 1400 | 940 | 610 | 550 | 28 | 65 | 50 | 1280 | 374 | 1285 | 413 | 1380 | 379 | 1385 | 418 | 7 |

Dimension and electrical data based on sizing definition following the instructions on page 96.

KDN 65-125 - 2 POLES - STANDARDISED CENTRIFUGAL ELECTRIC PUMPS FOR AIR CONDITIONING, REFRIGERATION, IRRIGATION, DECANTING, PRESSURISATION SYSTEMS, AND INDUSTRIAL APPLICATIONS

Pumped liquid temperature range: from -10 °C to +140 °C - Maximum ambient temperature: +40°C

= 2900 1/min



See hydraulic efficiency details on page 291.

The performance curves are based on kinematic viscosity values = 1 mm²/s and density equal to 1000 kg/m³. Curve tolerance according to ISO 9906.

| MODEL | ELECTRICAL DATA | | | | | |
|------------|-----------------|------------|-------------------|------|------|------------|
| | POWER (kW) | MOTOR SIZE | POWER INPUT 50 Hz | In A | | MOTOR TYPE |
| | 2 POLES | | | IE2 | IE3 | |
| KDN 65-125 | 4 | MEC 112M | 3 x 400 V - Δ | 8.05 | - | IE2 |
| | 5.5 | MEC 132S | 3 x 400 V - Δ | 10.4 | - | IE2 |
| | 7.5 | MEC 132S | 3 x 400 V - Δ | 14 | 13.4 | IE2 / IE3 |
| | 11 | MEC 160M | 3 x 400 V - Δ | 20.2 | 19.4 | IE2 / IE3 |
| | 15 | MEC 160M | 3 x 400 V - Δ | 27 | 26.5 | IE2 / IE3 |

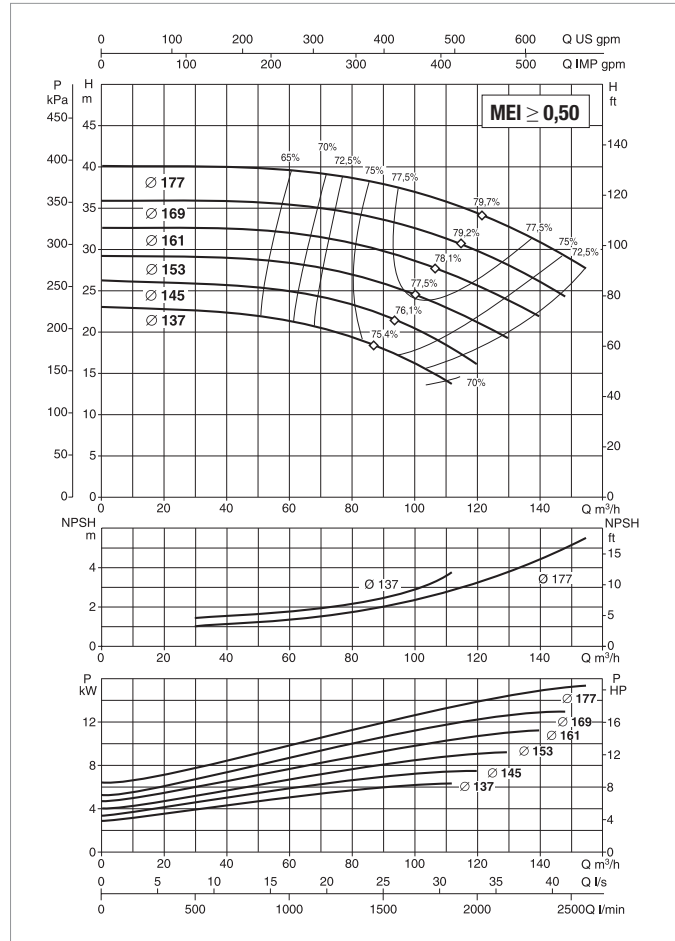
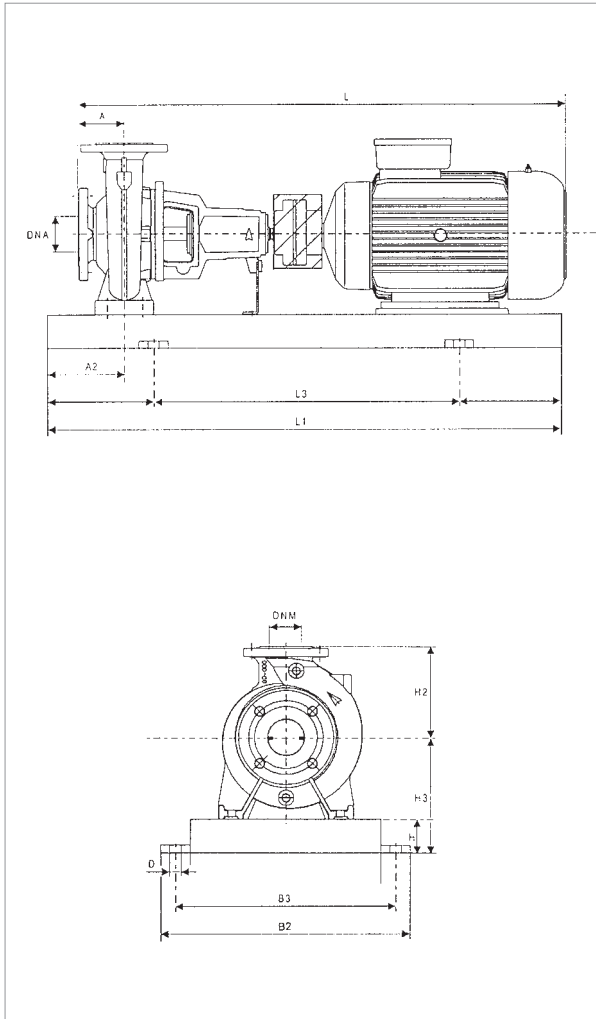
| MODEL | POWER (kW) | UNIT DIMENSIONS (mm) | | | | | | | | | | FLANGE DIMENSIONS (mm) | | STANDARD COUPLING | | | | SPACER COUPLING | | | | REF. |
|------------|------------|----------------------|----|-----|----|-----|------|-----|-----|-----|----|------------------------|-----|-------------------|-----------|------|-----------|-----------------|-----------|------|-----------|------|
| | | A | A2 | H2 | H | H3 | L1 | L3 | B2 | B3 | D | DnA | DnM | IE2 | | IE3 | | IE2 | | IE3 | | |
| | | | | | | | | | | | | | | L | WEIGHT kg | L | WEIGHT kg | L | WEIGHT kg | L | WEIGHT kg | |
| KDN 65-125 | 4 | 100 | 60 | 180 | 65 | 225 | 900 | 600 | 390 | 350 | 19 | 80 | 65 | 865 | 132 | - | - | 965 | 137 | - | - | 3 |
| | 5.5 | 100 | 60 | 180 | 80 | 240 | 1000 | 660 | 450 | 400 | 24 | 80 | 65 | 935 | 143 | - | - | 1035 | 148 | - | - | 4 |
| | 7.5 | 100 | 60 | 180 | 80 | 240 | 1000 | 660 | 450 | 400 | 24 | 80 | 65 | 935 | 146 | 945 | 120 | 1035 | 151 | 1045 | 125 | 4 |
| | 11 | 100 | 60 | 180 | 80 | 240 | 1120 | 740 | 490 | 440 | 24 | 80 | 65 | 1080 | 175 | 1080 | 152 | 1180 | 180 | 1180 | 157 | 5 |
| | 15 | 100 | 60 | 180 | 80 | 240 | 1120 | 740 | 490 | 440 | 24 | 80 | 65 | 1080 | 180 | 1080 | 153 | 1180 | 185 | 1180 | 158 | 5 |

Dimension and electrical data based on sizing definition following the instructions on page 96.

KDN 65-160 - 2 POLES - STANDARDISED CENTRIFUGAL ELECTRIC PUMPS FOR AIR CONDITIONING, REFRIGERATION, IRRIGATION, DECANTING, PRESSURISATION SYSTEMS, AND INDUSTRIAL APPLICATIONS

Pumped liquid temperature range: from -10 °C to +140 °C - Maximum ambient temperature: +40°C

= 2900 1/min



See hydraulic efficiency details on page 291.

The performance curves are based on kinematic viscosity values = 1 mm²/s and density equal to 1000 kg/m³. Curve tolerance according to ISO 9906.

| MODEL | ELECTRICAL DATA | | | | | |
|------------|-----------------------|------------|----------------------|------|------|------------|
| | POWER (kW) 2 POLES | MOTOR SIZE | POWER INPUT 50 Hz | In A | | MOTOR TYPE |
| | | | | IE2 | IE3 | |
| KDN 65-160 | 5.5 | MEC 132S | 3 x 400 V - Δ | 10.4 | - | IE2 |
| | 7.5 | MEC 132S | 3 x 400 V - Δ | 14 | 13.4 | IE2 / IE3 |
| | 11 | MEC 160M | 3 x 400 V - Δ | 20.2 | 19.4 | IE2 / IE3 |
| | 15 | MEC 160M | 3 x 400 V - Δ | 27 | 26.5 | IE2 / IE3 |
| | 18.5 | MEC 160L | 3 x 400 V - Δ | 33 | 32 | IE2 / IE3 |
| | 22 | MEC 180M | 3 x 400 V - Δ | 39.5 | 38 | IE2 / IE3 |

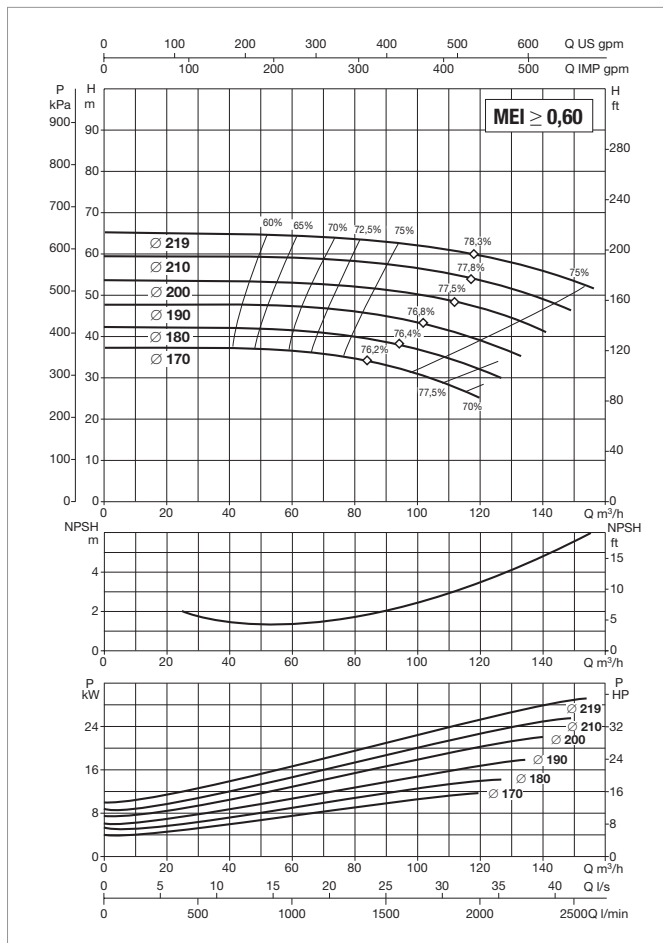
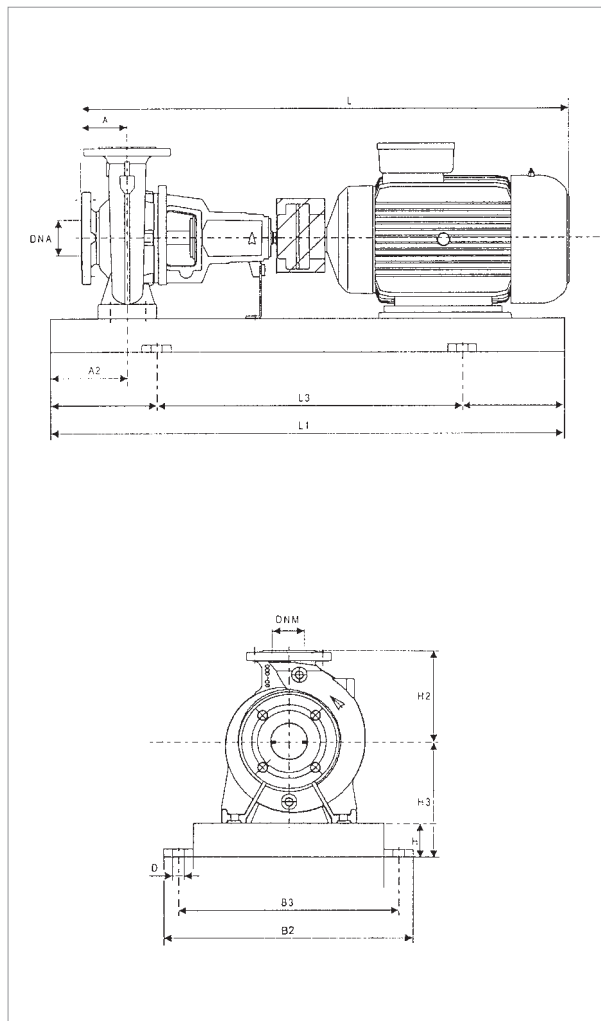
| MODEL | POWER (kW) | UNIT DIMENSIONS (mm) | | | | | | | | | | FLANGE DIMENSIONS (mm) | | STANDARD COUPLING | | | | SPACER COUPLING | | | | REF. |
|------------|------------|----------------------|-----------|-----|-----------|-----|-----------|-----|-----------|-----|-----------|------------------------|-----------|-------------------|-----------|------|-----------|-----------------|-----------|------|-----|------|
| | | A | A2 | H2 | H | H3 | L1 | L3 | B2 | B3 | D | DNA | DNM | IE2 | | IE3 | | IE2 | | IE3 | | |
| | | L | WEIGHT kg | L | WEIGHT kg | L | WEIGHT kg | L | WEIGHT kg | L | WEIGHT kg | L | WEIGHT kg | L | WEIGHT kg | L | WEIGHT kg | L | WEIGHT kg | | | |
| KDN 65-160 | 5.5 | 100 | 60 | 200 | 80 | 240 | 1000 | 660 | 450 | 400 | 24 | 80 | 65 | 935 | 149 | - | - | 1035 | 154 | - | - | 4 |
| | 7.5 | 100 | 60 | 200 | 80 | 240 | 1000 | 660 | 450 | 400 | 24 | 80 | 65 | 935 | 173 | 945 | 147 | 1035 | 178 | 1045 | 152 | 4 |
| | 11 | 100 | 60 | 200 | 80 | 240 | 1120 | 740 | 490 | 440 | 24 | 80 | 65 | 1080 | 183 | 1080 | 160 | 1180 | 188 | 1180 | 165 | 5 |
| | 15 | 100 | 60 | 200 | 80 | 240 | 1120 | 740 | 490 | 440 | 24 | 80 | 65 | 1080 | 220 | 1080 | 193 | 1180 | 225 | 1180 | 198 | 5 |
| | 18.5 | 100 | 60 | 200 | 80 | 240 | 1120 | 740 | 490 | 440 | 24 | 80 | 65 | 1135 | 220 | 1123 | 188 | 1235 | 225 | 1223 | 193 | 5 |
| | 22 | 100 | 60 | 200 | 80 | 260 | 1120 | 740 | 490 | 440 | 24 | 80 | 65 | 1155 | 220 | 1155 | 178 | 1255 | 225 | 1255 | 183 | 5 |

Dimension and electrical data based on sizing definition following the instructions on page 96.

KDN 65-200 - 2 POLES - STANDARDISED CENTRIFUGAL ELECTRIC PUMPS FOR AIR CONDITIONING, REFRIGERATION, IRRIGATION, DECANTING, PRESSURISATION SYSTEMS, AND INDUSTRIAL APPLICATIONS

Pumped liquid temperature range: from -10 °C to +140 °C - Maximum ambient temperature: +40°C

= 2900 1/min



See hydraulic efficiency details on page 291.

The performance curves are based on kinematic viscosity values = 1 mm²/s and density equal to 1000 kg/m³. Curve tolerance according to ISO 9906.

| MODEL | ELECTRICAL DATA | | | | | |
|------------|-----------------------|------------|----------------------|------|------|------------|
| | POWER (kW) 2 POLES | MOTOR SIZE | POWER INPUT 50 Hz | In A | | MOTOR TYPE |
| | | | | IE2 | IE3 | |
| KDN 65-200 | 11 | MEC 160M | 3 x 400 V - Δ | 20.2 | 19.4 | IE2 / IE3 |
| | 15 | MEC 160M | 3 x 400 V - Δ | 27 | 26.5 | IE2 / IE3 |
| | 18.5 | MEC 160L | 3 x 400 V - Δ | 33 | 32 | IE2 / IE3 |
| | 22 | MEC 180M | 3 x 400 V - Δ | 39.5 | 38 | IE2 / IE3 |
| | 30 | MEC 200L | 3 x 400 V - Δ | 52 | 52 | IE2 / IE3 |
| | 37 | MEC 200L | 3 x 400 V - Δ | 64 | 63 | IE2 / IE3 |

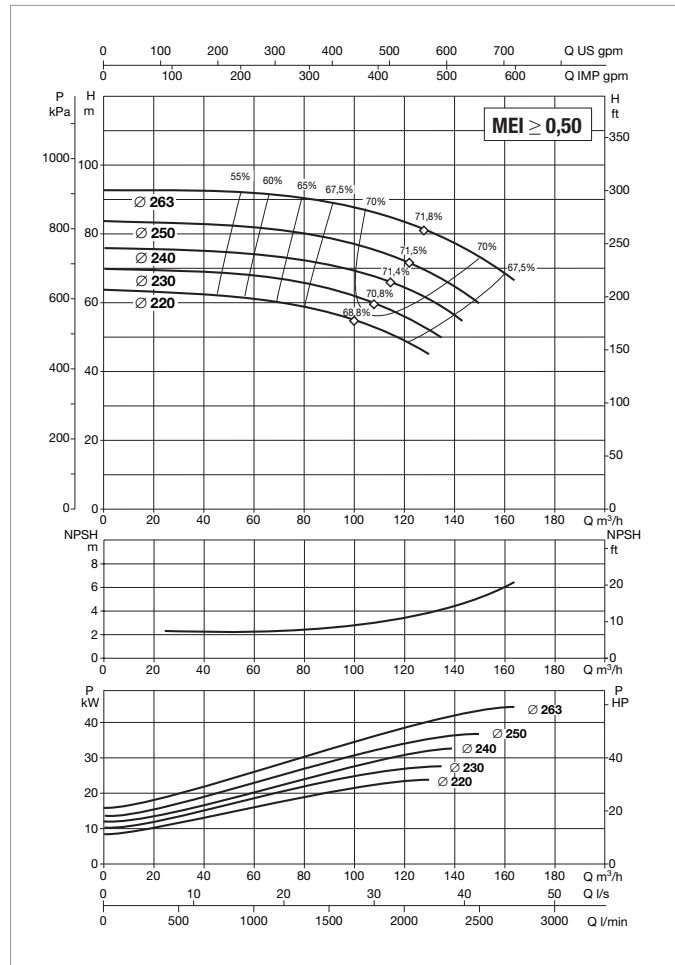
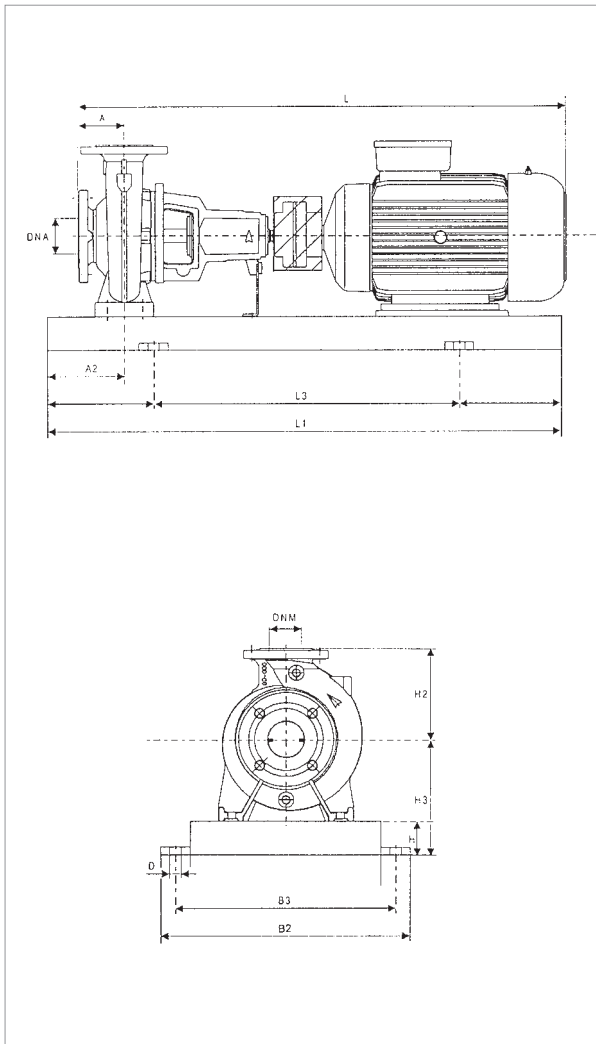
| MODEL | POWER (kW) | UNIT DIMENSIONS (mm) | | | | | | | | | | FLANGE DIMENSIONS (mm) | | STANDARD COUPLING | | | | SPACER COUPLING | | | | REF. |
|------------|------------|----------------------|-----------|-----|-----------|-----|-----------|-----|-----------|-----|-----------|------------------------|-----------|-------------------|-----------|------|-----------|-----------------|-----------|------|-----|------|
| | | A | A2 | H2 | H | H3 | L1 | L3 | B2 | B3 | D | DNA | DNM | IE2 | | IE3 | | IE2 | | IE3 | | |
| | | L | WEIGHT kg | L | WEIGHT kg | L | WEIGHT kg | L | WEIGHT kg | L | WEIGHT kg | L | WEIGHT kg | L | WEIGHT kg | L | WEIGHT kg | L | WEIGHT kg | | | |
| KDN 65-200 | 11 | 100 | 75 | 225 | 80 | 260 | 1250 | 840 | 540 | 490 | 24 | 80 | 65 | 1080 | 267 | 1080 | 244 | 1220 | 272 | 1220 | 249 | 6 |
| | 15 | 100 | 75 | 225 | 80 | 260 | 1250 | 840 | 540 | 490 | 24 | 80 | 65 | 1080 | 279 | 1080 | 252 | 1220 | 284 | 1220 | 257 | 6 |
| | 18.5 | 100 | 75 | 225 | 80 | 260 | 1250 | 840 | 540 | 490 | 24 | 80 | 65 | 1135 | 289 | 1123 | 257 | 1235 | 294 | 1223 | 262 | 6 |
| | 22 | 100 | 75 | 225 | 80 | 260 | 1250 | 840 | 540 | 490 | 24 | 80 | 65 | 1155 | 332 | 1155 | 290 | 1295 | 337 | 1295 | 295 | 6 |
| | 30 | 100 | 75 | 225 | 100 | 300 | 1400 | 940 | 610 | 550 | 28 | 80 | 65 | 1235 | 406 | 1245 | 418 | 1375 | 411 | 1385 | 423 | 7 |
| | 37 | 100 | 75 | 225 | 100 | 300 | 1400 | 940 | 610 | 550 | 28 | 80 | 65 | 1235 | 406 | 1245 | 431 | 1375 | 411 | 1385 | 436 | 7 |

Dimension and electrical data based on sizing definition following the instructions on page 96.

KDN 65-250 - 2 POLES - STANDARDISED CENTRIFUGAL ELECTRIC PUMPS FOR AIR CONDITIONING, REFRIGERATION, IRRIGATION, DECANTING, PRESSURISATION SYSTEMS, AND INDUSTRIAL APPLICATIONS

Pumped liquid temperature range: from -10 °C to +140 °C - Maximum ambient temperature: +40°C

= 2900 1/min



See hydraulic efficiency details on page 291.

The performance curves are based on kinematic viscosity values = 1 mm²/s and density equal to 1000 kg/m³. Curve tolerance according to ISO 9906.

| MODEL | ELECTRICAL DATA | | | | | |
|------------|-----------------------|------------|----------------------|------|-----|------------|
| | POWER (kW) 2 POLES | MOTOR SIZE | POWER INPUT 50 Hz | In A | | MOTOR TYPE |
| | | | | IE2 | IE3 | |
| KDN 65-250 | 22 | MEC 180M | 3 x 400 V - Δ | 39.5 | 38 | IE2 / IE3 |
| | 30 | MEC 200L | 3 x 400 V - Δ | 52 | 52 | IE2 / IE3 |
| | 37 | MEC 200L | 3 x 400 V - Δ | 64 | 63 | IE2 / IE3 |
| | 45 | MEC 225M | 3 x 400 V - Δ | 78.5 | 76 | IE2 / IE3 |
| | 55 | MEC 225M | 3 x 400 V - Δ | 94 | 95 | IE2 / IE3 |

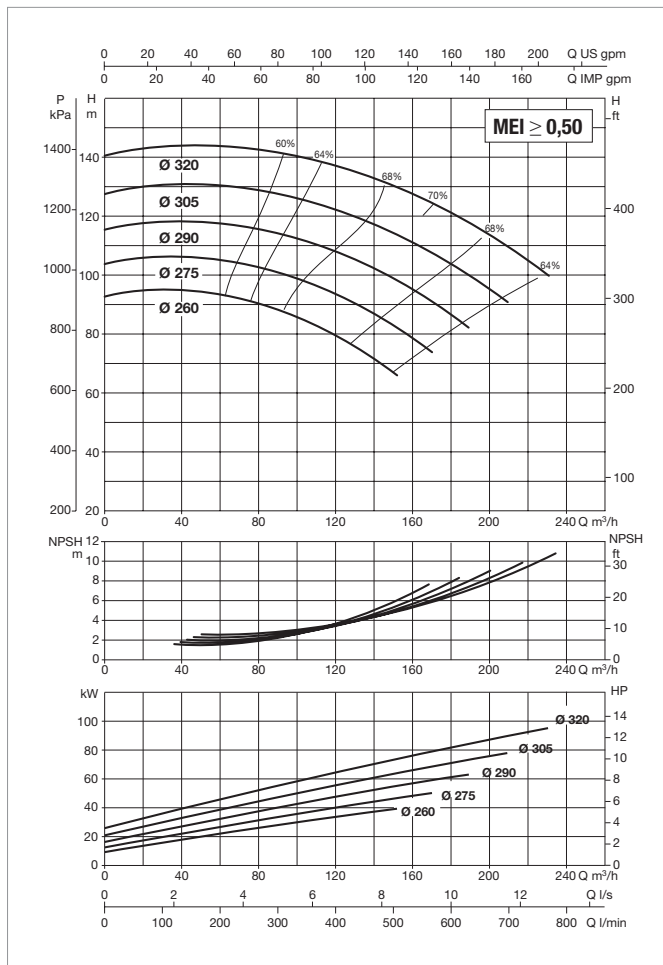
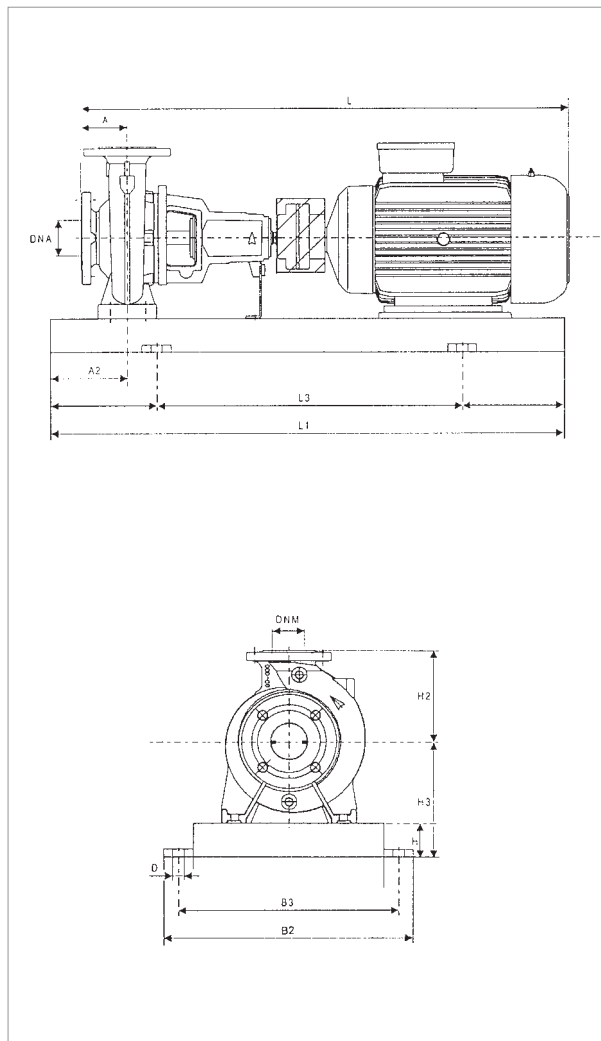
| MODEL | POWER (kW) | UNIT DIMENSIONS (mm) | | | | | | | | | | FLANGE DIMENSIONS (mm) | | STANDARD COUPLING | | | | SPACER COUPLING | | | | REF. |
|------------|------------|----------------------|----|-----|----|-----|------|------|-----|-----|----|------------------------|-----|-------------------|-----------|------|-----------|-----------------|-----------|------|-----------|------|
| | | A | A2 | H2 | H | H3 | L1 | L3 | B2 | B3 | D | DnA | DnM | IE2 | | IE3 | | IE2 | | IE3 | | |
| | | | | | | | | | | | | | | L | WEIGHT kg | L | WEIGHT kg | L | WEIGHT kg | L | WEIGHT kg | |
| KDN 65-250 | 22 | 100 | 90 | 250 | 80 | 280 | 1250 | 840 | 540 | 490 | 24 | 80 | 65 | 1265 | 319 | 1265 | 277 | 1405 | 327 | 1405 | 285 | 6 |
| | 30 | 100 | 90 | 250 | 80 | 300 | 1400 | 940 | 610 | 550 | 28 | 80 | 65 | 1345 | 460 | 1355 | 472 | 1485 | 468 | 1495 | 480 | 7 |
| | 37 | 100 | 90 | 250 | 80 | 300 | 1400 | 940 | 610 | 550 | 28 | 80 | 65 | 1345 | 477 | 1355 | 502 | 1485 | 485 | 1495 | 510 | 7 |
| | 45 | 100 | 90 | 250 | 80 | 325 | 1400 | 940 | 610 | 550 | 28 | 80 | 65 | 1390 | 550 | 1395 | 589 | 1530 | 558 | 1535 | 597 | 7 |
| | 55 | 100 | 90 | 250 | 80 | 350 | 1600 | 1060 | 660 | 600 | 24 | 80 | 65 | 1490 | 672 | 1460 | 717 | 1630 | 680 | 1600 | 725 | 8 |

Dimension and electrical data based on sizing definition following the instructions on page 96.

KDN 65-315 - 2 POLES - STANDARDISED CENTRIFUGAL ELECTRIC PUMPS FOR AIR CONDITIONING, REFRIGERATION, IRRIGATION, DECANTING, PRESSURISATION SYSTEMS, AND INDUSTRIAL APPLICATIONS

Pumped liquid temperature range: from -10 °C to +140 °C - Maximum ambient temperature: +40°C

= 2900 1/min



See hydraulic efficiency details on page 291.

The performance curves are based on kinematic viscosity values = 1 mm²/s and density equal to 1000 kg/m³. Curve tolerance according to ISO 9906.

| MODEL | ELECTRICAL DATA | | | | | |
|------------|-----------------------|------------|----------------------|------|-----|------------|
| | POWER (kW) 2 POLES | MOTOR SIZE | POWER INPUT 50 Hz | In A | | MOTOR TYPE |
| | | | | IE2 | IE3 | |
| KDN 65-315 | 45 | MEC 225M | 3 x 400 V - Δ | 78.5 | 76 | IE2 / IE3 |
| | 55 | MEC 250M | 3 x 400 V - Δ | 94 | 95 | IE2 / IE3 |
| | 75 | MEC 280S | 3 x 400 V - Δ | 130 | 124 | IE2 / IE3 |
| | 90 | MEC 280M | 3 x 400 V - Δ | 154 | 148 | IE2 / IE3 |
| | 110 | MEC 315S | 3 x 400 V - Δ | 188 | 184 | IE2 / IE3 |

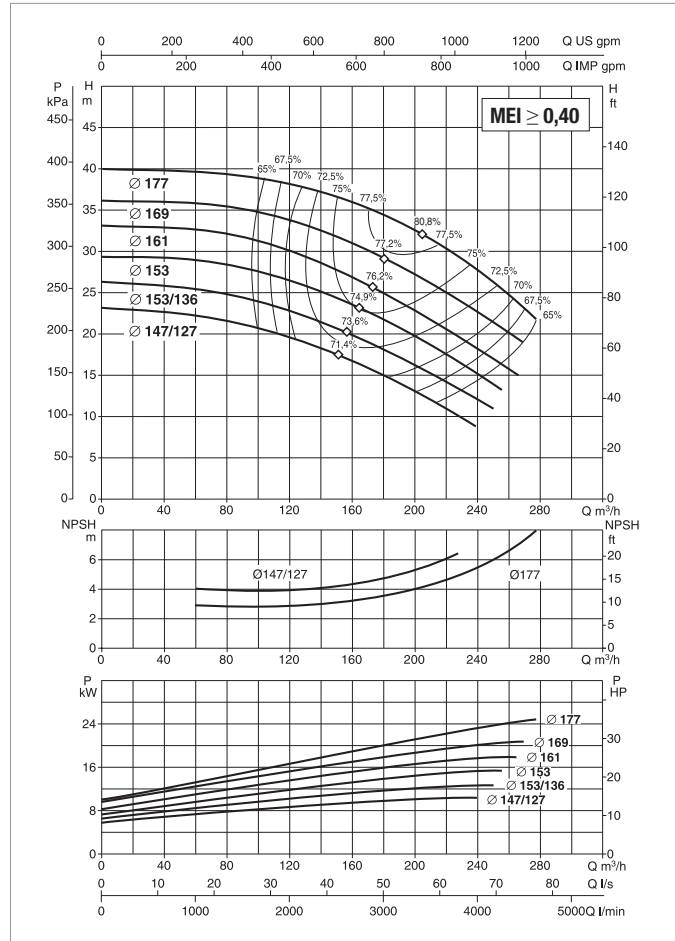
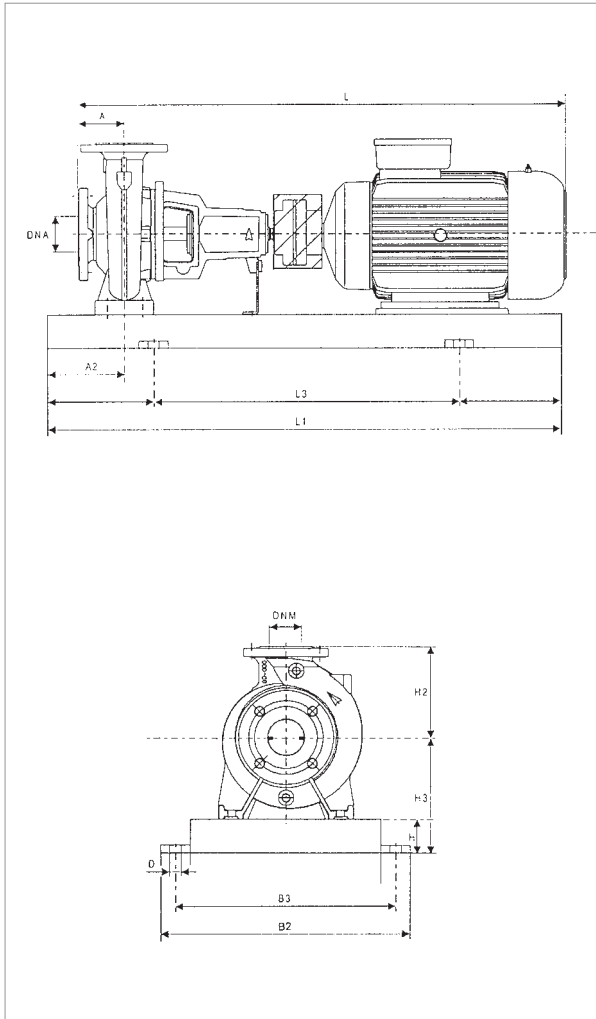
| MODEL | POWER (kW) | UNIT DIMENSIONS (mm) | | | | | | | | | | FLANGE DIMENSIONS (mm) | | STANDARD COUPLING | | | | SPACER COUPLING | | | | REF. |
|------------|------------|----------------------|----|-----|-----|-----|------|------|-----|-----|----|------------------------|-----|-------------------|-----------|------|-----------|-----------------|-----------|------|-----------|------|
| | | A | A2 | H2 | H | H3 | L1 | L3 | B2 | B3 | D | DnA | DnM | IE2 | | IE3 | | IE2 | | IE3 | | |
| | | | | | | | | | | | | | | L | WEIGHT kg | L | WEIGHT kg | L | WEIGHT kg | L | WEIGHT kg | |
| KDN 65-315 | 45 | 125 | 90 | 280 | 100 | 325 | 1600 | 1060 | 660 | 600 | 28 | 80 | 65 | 1415 | 695 | 1420 | 734 | 1555 | 703 | 1560 | 742 | 8 |
| | 55 | 125 | 90 | 280 | 100 | 325 | 1600 | 1060 | 660 | 600 | 28 | 80 | 65 | 1515 | 695 | 1515 | 740 | 1655 | 703 | 1655 | 748 | 8 |
| | 75 | 125 | 90 | 280 | 100 | 325 | 1800 | 1200 | 730 | 670 | 28 | 80 | 65 | 1570 | 849 | 1568 | 849 | 1710 | 857 | 1708 | 857 | 9 |
| | 90 | 125 | 90 | 280 | 100 | 325 | 1800 | 1200 | 730 | 670 | 28 | 80 | 65 | 1620 | 669 | 1620 | 651 | 1760 | 677 | 1760 | 659 | 9 |
| | 110 | 125 | 90 | 280 | 100 | 325 | 2000 | 1340 | 910 | 830 | 28 | 80 | 65 | 1840 | 1119 | 1805 | 1219 | 1980 | 1127 | 1945 | 1227 | 9 |

Dimension and electrical data based on sizing definition following the instructions on page 96.

KDN 80-160 - 2 POLES - STANDARDISED CENTRIFUGAL ELECTRIC PUMPS FOR AIR CONDITIONING, REFRIGERATION, IRRIGATION, DECANTING, PRESSURISATION SYSTEMS, AND INDUSTRIAL APPLICATIONS

Pumped liquid temperature range: from -10 °C to +140 °C - Maximum ambient temperature: +40°C

= 2900 1/min



See hydraulic efficiency details on page 291.

The performance curves are based on kinematic viscosity values = 1 mm²/s and density equal to 1000 kg/m³. Curve tolerance according to ISO 9906.

| MODEL | ELECTRICAL DATA | | | | | |
|------------|-----------------|------------|-------------------|------|------|------------|
| | POWER (kW) | MOTOR SIZE | POWER INPUT 50 Hz | In A | | MOTOR TYPE |
| | 2 POLES | | | IE2 | IE3 | |
| KDN 80-160 | 7.5 | MEC 132S | 3 x 400 V - Δ | 14 | 13.4 | IE2 / IE3 |
| | 11 | MEC 160M | 3 x 400 V - Δ | 20.2 | 19.4 | IE2 / IE3 |
| | 15 | MEC 160M | 3 x 400 V - Δ | 27 | 26.5 | IE2 / IE3 |
| | 18.5 | MEC 160L | 3 x 400 V - Δ | 33 | 32 | IE2 / IE3 |
| | 22 | MEC 180M | 3 x 400 V - Δ | 39.5 | 38 | IE2 / IE3 |
| | 30 | MEC 200L | 3 x 400 V - Δ | 52 | 52 | IE2 / IE3 |
| | 37 | MEC 200L | 3 x 400 V - Δ | 64 | 63 | IE2 / IE3 |

| MODEL | POWER (kW) | UNIT DIMENSIONS (mm) | | | | | | | | | | FLANGE DIMENSIONS (mm) | | STANDARD COUPLING | | | | SPACER COUPLING | | | | REF. |
|------------|------------|----------------------|-----------|-----|-----------|-----|-----------|-----|-----------|-----|-----------|------------------------|-----------|-------------------|-----------|------|-----------|-----------------|-----------|------|-----|------|
| | | A | A2 | H2 | H | H3 | L1 | L3 | B2 | B3 | D | DnA | DnM | IE2 | | IE3 | | IE2 | | IE3 | | |
| | | L | WEIGHT kg | L | WEIGHT kg | L | WEIGHT kg | L | WEIGHT kg | L | WEIGHT kg | L | WEIGHT kg | L | WEIGHT kg | L | WEIGHT kg | L | WEIGHT kg | | | |
| KDN 80-160 | 7.5 | 125 | 75 | 225 | 80 | 260 | 1120 | 740 | 490 | 440 | 24 | 100 | 80 | 960 | 189 | 970 | 163 | 1100 | 197 | 1110 | 171 | 5 |
| | 11 | 125 | 75 | 225 | 80 | 260 | 1250 | 840 | 540 | 490 | 24 | 100 | 80 | 1105 | 298 | 1105 | 275 | 1245 | 306 | 1245 | 283 | 6 |
| | 15 | 125 | 75 | 225 | 80 | 260 | 1250 | 840 | 540 | 490 | 24 | 100 | 80 | 1105 | 298 | 1105 | 271 | 1245 | 306 | 1245 | 279 | 6 |
| | 18.5 | 125 | 75 | 225 | 80 | 260 | 1250 | 840 | 540 | 490 | 24 | 100 | 80 | 1160 | 298 | 1148 | 266 | 1300 | 306 | 1288 | 274 | 6 |
| | 22 | 125 | 75 | 225 | 80 | 260 | 1250 | 840 | 540 | 490 | 24 | 100 | 80 | 1180 | 253 | 1180 | 211 | 1320 | 261 | 1320 | 219 | 6 |
| | 30 | 125 | 75 | 225 | 80 | 260 | 1400 | 940 | 610 | 550 | 28 | 100 | 80 | 1260 | 304 | 1270 | 316 | 1400 | 312 | 1410 | 324 | 7 |
| | 37 | 125 | 75 | 225 | 80 | 260 | 1400 | 940 | 610 | 550 | 28 | 100 | 80 | 1260 | 383 | 1270 | 408 | 1400 | 391 | 1410 | 416 | 7 |

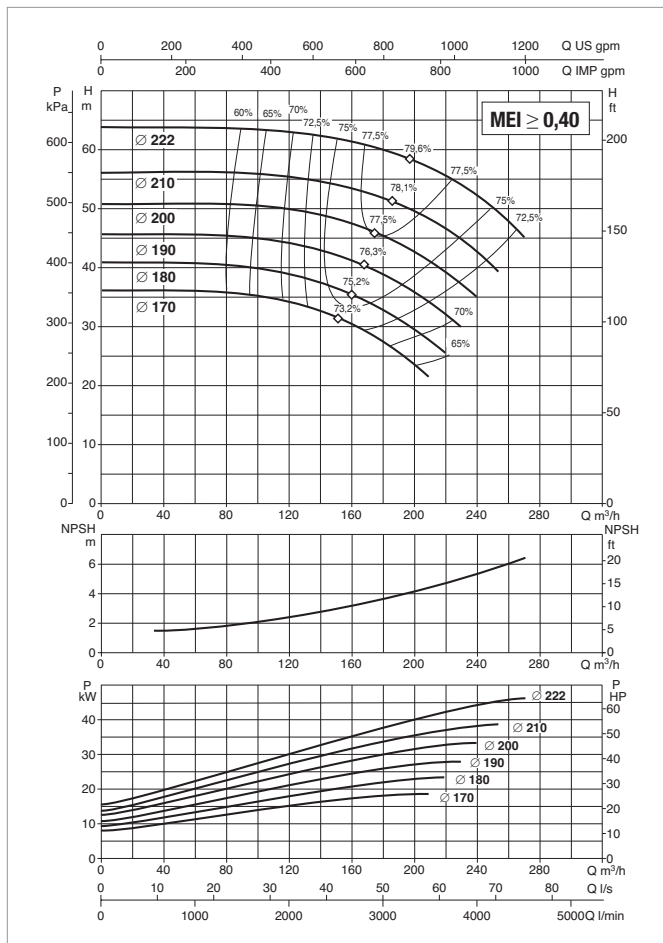
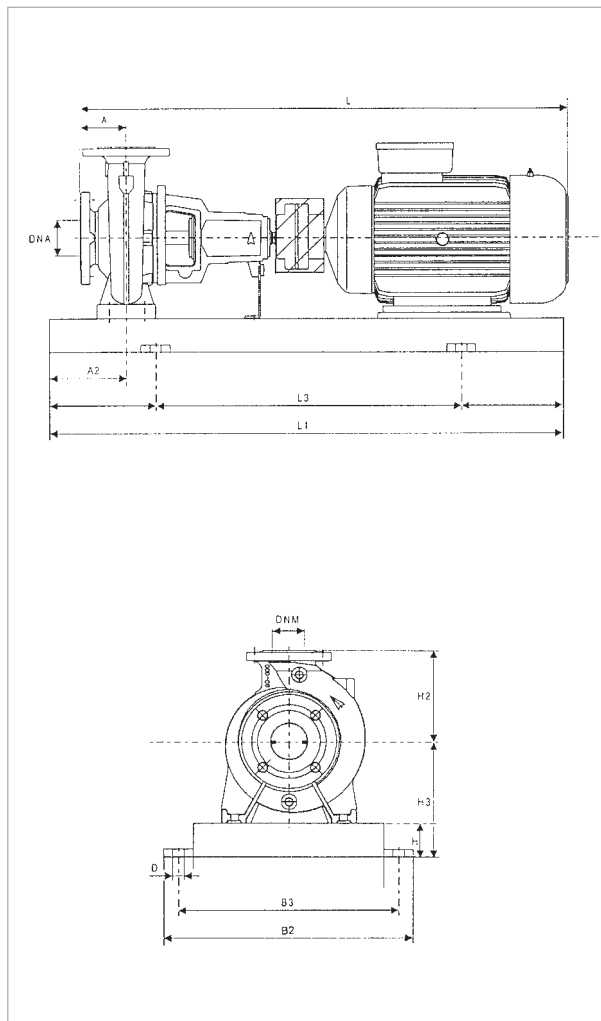
Dimension and electrical data based on sizing definition following the instructions on page 96.



KDN 80-200 - 2 POLES - STANDARDISED CENTRIFUGAL ELECTRIC PUMPS FOR AIR CONDITIONING, REFRIGERATION, IRRIGATION, DECANTING, PRESSURISATION SYSTEMS, AND INDUSTRIAL APPLICATIONS

Pumped liquid temperature range: from -10 °C to +140 °C - Maximum ambient temperature: +40°C

= 2900 1/min



See hydraulic efficiency details on page 291.

The performance curves are based on kinematic viscosity values = 1 mm²/s and density equal to 1000 kg/m³. Curve tolerance according to ISO 9906.

| MODEL | ELECTRICAL DATA | | | | | |
|------------|-----------------|------------|-------------------|------|-----|------------|
| | POWER (kW) | MOTOR SIZE | POWER INPUT 50 Hz | In A | | MOTOR TYPE |
| | 2 POLES | | | IE2 | IE3 | |
| KDN 80-200 | 18.5 | MEC 160L | 3 x 400 V - Δ | 33 | 32 | IE2 / IE3 |
| | 22 | MEC 180M | 3 x 400 V - Δ | 39.5 | 38 | IE2 / IE3 |
| | 30 | MEC 200L | 3 x 400 V - Δ | 52 | 52 | IE2 / IE3 |
| | 37 | MEC 200L | 3 x 400 V - Δ | 64 | 63 | IE2 / IE3 |
| | 45 | MEC 225M | 3 x 400 V - Δ | 78.5 | 76 | IE2 / IE3 |
| | 55 | MEC 250M | 3 x 400 V - Δ | 94 | 95 | IE2 / IE3 |
| | 75 | MEC 280S | 3 x 400 V - Δ | 130 | 124 | IE2 / IE3 |

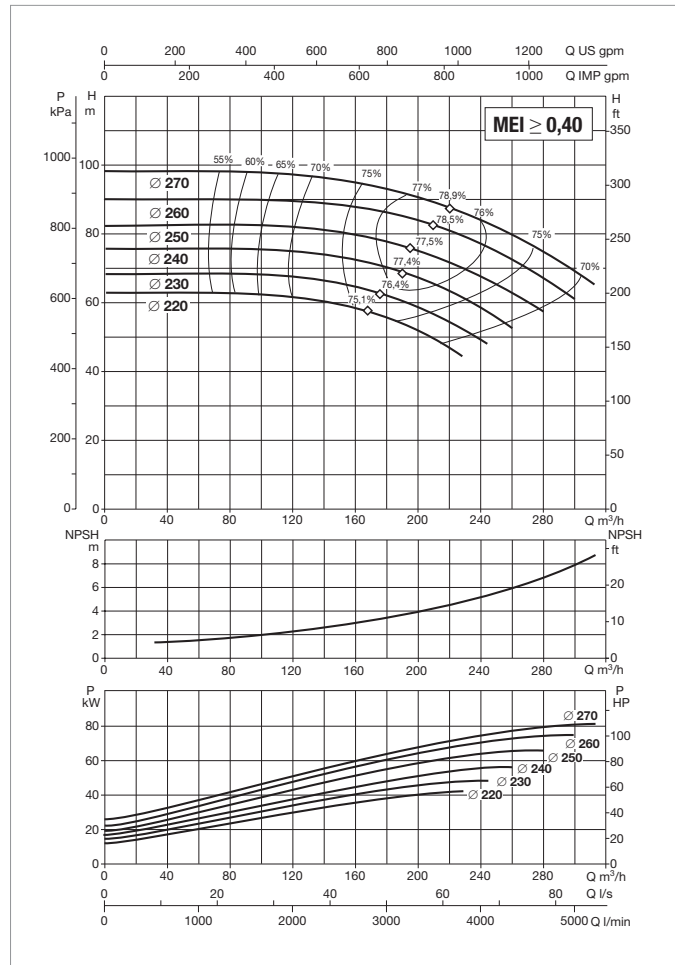
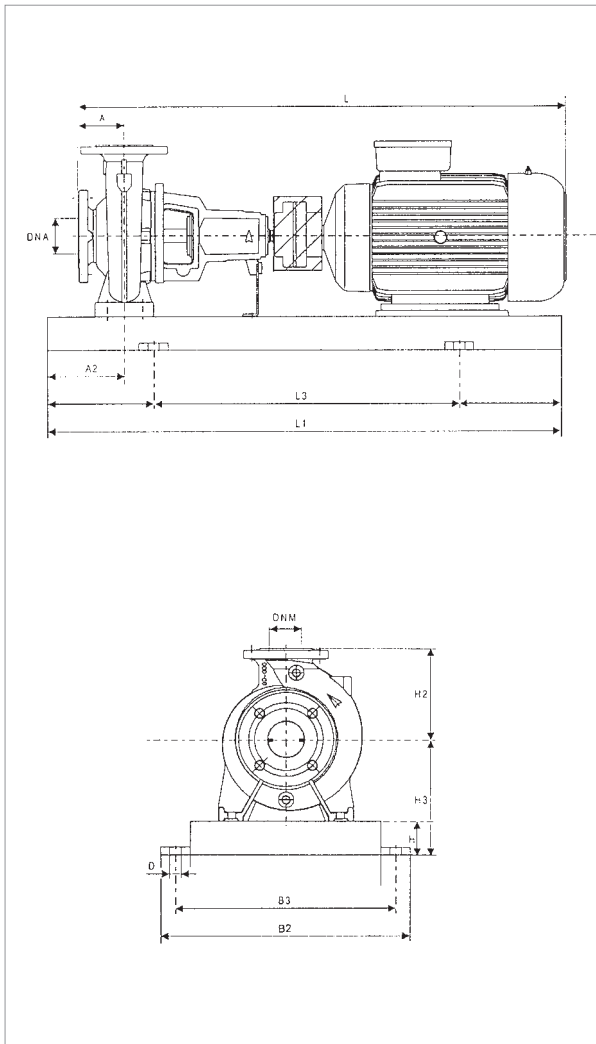
| MODEL | POWER (kW) | UNIT DIMENSIONS (mm) | | | | | | | | | | FLANGE DIMENSIONS (mm) | | | STANDARD COUPLING | | | | SPACER COUPLING | | | | REF. |
|------------|------------|----------------------|-----------|-----|-----------|-----|-----------|------|-----------|-----|-----------|------------------------|-----------|------|-------------------|------|-----------|------|-----------------|------|-----|---|------|
| | | A | A2 | H2 | H | H3 | L1 | L3 | B2 | B3 | D | DNA | DNM | IE2 | | IE3 | | IE2 | | IE3 | | | |
| | | L | WEIGHT kg | L | WEIGHT kg | L | WEIGHT kg | L | WEIGHT kg | L | WEIGHT kg | L | WEIGHT kg | L | WEIGHT kg | L | WEIGHT kg | L | WEIGHT kg | | | | |
| KDN 80-200 | 18.5 | 125 | 75 | 250 | 80 | 260 | 1250 | 840 | 540 | 490 | 24 | 100 | 80 | 1270 | 239 | 1258 | 207 | 1410 | 247 | 1398 | 215 | 6 | |
| | 22 | 125 | 75 | 250 | 80 | 260 | 1250 | 840 | 540 | 490 | 24 | 100 | 80 | 1290 | 275 | 1290 | 233 | 1430 | 283 | 1430 | 241 | 6 | |
| | 30 | 125 | 75 | 250 | 100 | 300 | 1400 | 940 | 610 | 550 | 28 | 100 | 80 | 1370 | 432 | 1380 | 444 | 1510 | 440 | 1520 | 452 | 7 | |
| | 37 | 125 | 75 | 250 | 100 | 300 | 1400 | 940 | 610 | 550 | 28 | 100 | 80 | 1370 | 455 | 1380 | 480 | 1510 | 463 | 1520 | 488 | 7 | |
| | 45 | 125 | 75 | 250 | 100 | 325 | 1400 | 940 | 610 | 550 | 28 | 100 | 80 | 1415 | 548 | 1420 | 587 | 1555 | 556 | 1560 | 595 | 7 | |
| | 55 | 125 | 75 | 250 | 100 | 350 | 1600 | 1060 | 660 | 600 | 28 | 100 | 80 | 1515 | 494 | 1515 | 539 | 1655 | 502 | 1655 | 547 | 8 | |
| | 75 | 125 | 75 | 250 | 100 | 380 | 1800 | 1200 | 730 | 670 | 28 | 100 | 80 | 1570 | 609 | 1568 | 609 | 1710 | 617 | 1708 | 617 | 9 | |

Dimension and electrical data based on sizing definition following the instructions on page 96.

KDN 80-250 - 2 POLES - STANDARDISED CENTRIFUGAL ELECTRIC PUMPS FOR AIR CONDITIONING, REFRIGERATION, IRRIGATION, DECANTING, PRESSURISATION SYSTEMS, AND INDUSTRIAL APPLICATIONS

Pumped liquid temperature range: from -10 °C to +140 °C - Maximum ambient temperature: +40°C

= 2900 1/min



See hydraulic efficiency details on page 291.

The performance curves are based on kinematic viscosity values = 1 mm²/s and density equal to 1000 kg/m³. Curve tolerance according to ISO 9906.

| MODEL | ELECTRICAL DATA | | | | | |
|------------|-----------------------|---------------|----------------------|------|-----|---------------|
| | POWER (kW) 2 POLES | MOTOR SIZE | POWER INPUT 50 Hz | In A | | MOTOR TYPE |
| | | | | IE2 | IE3 | |
| KDN 80-250 | 37 | MEC 200L | 3 x 400 V - Δ | 64 | 63 | IE2 / IE3 |
| | 45 | MEC 225M | 3 x 400 V - Δ | 78.5 | 76 | IE2 / IE3 |
| | 55 | MEC 250M | 3 x 400 V - Δ | 94 | 95 | IE2 / IE3 |
| | 75 | MEC 280S | 3 x 400 V - Δ | 130 | 124 | IE2 / IE3 |
| | 90 | MEC 280M | 3 x 400 V - Δ | 154 | 148 | IE2 / IE3 |

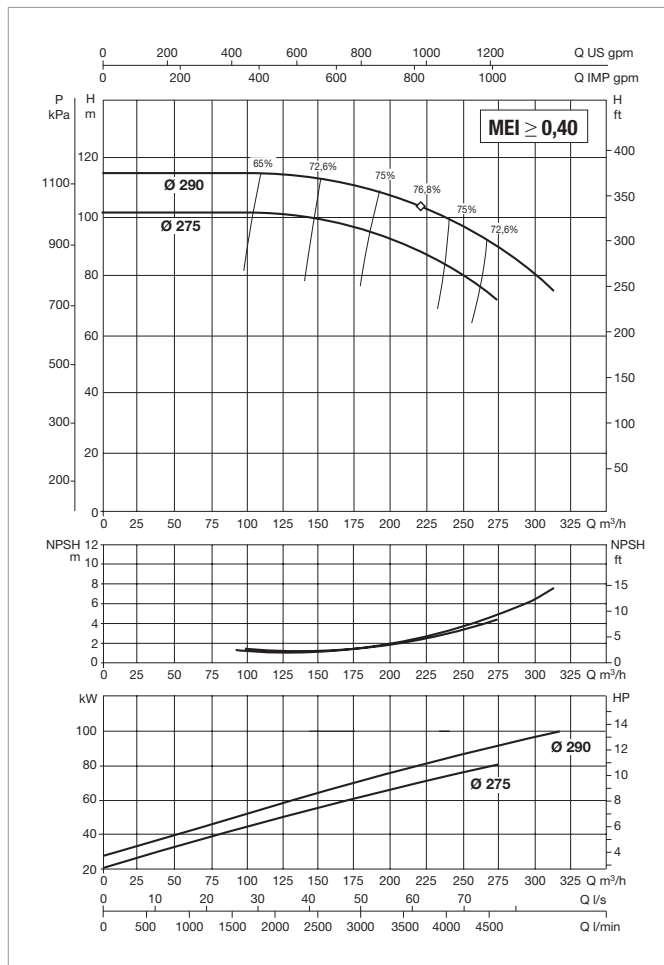
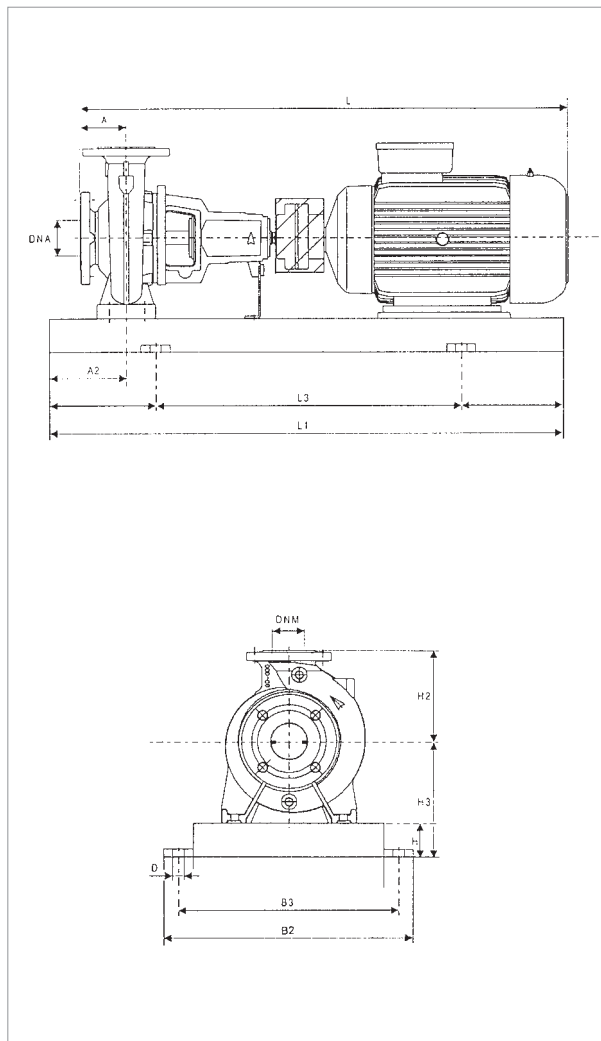
| MODEL | POWER (kW) | UNIT DIMENSIONS (mm) | | | | | | | | | | FLANGE DIMENSIONS (mm) | | STANDARD COUPLING | | | | SPACER COUPLING | | | | REF. |
|------------|---------------|----------------------|----|-----|-----|-----|------|------|-----|-----|----|---------------------------|-----|-------------------|--------------|------|--------------|-----------------|--------------|------|--------------|------|
| | | A | A2 | H2 | H | H3 | L1 | L3 | B2 | B3 | D | DNa | DNM | IE2 | | IE3 | | IE2 | | IE3 | | |
| | | | | | | | | | | | | | | L | WEIGHT kg | L | WEIGHT kg | L | WEIGHT kg | L | WEIGHT kg | |
| KDN 80-250 | 37 | 125 | 90 | 280 | 100 | 300 | 1400 | 940 | 610 | 550 | 28 | 100 | 80 | 1370 | 471 | 1380 | 496 | 1510 | 479 | 1520 | 504 | 7 |
| | 45 | 125 | 90 | 280 | 100 | 300 | 1400 | 940 | 610 | 550 | 28 | 100 | 80 | 1415 | 545 | 1420 | 584 | 1555 | 553 | 1560 | 592 | 7 |
| | 55 | 125 | 90 | 280 | 100 | 300 | 1600 | 1060 | 660 | 600 | 28 | 100 | 80 | 1515 | 650 | 1515 | 695 | 1655 | 658 | 1655 | 703 | 8 |
| | 75 | 125 | 90 | 280 | 100 | 300 | 1800 | 1200 | 730 | 670 | 28 | 100 | 80 | 1570 | 641 | 1568 | 641 | 1710 | 649 | 1708 | 649 | 9 |
| | 90 | 125 | 90 | 280 | 100 | 300 | 1800 | 1200 | 730 | 670 | 28 | 100 | 80 | 1620 | 909 | 1620 | 891 | 1760 | 917 | 1760 | 899 | 9 |

Dimension and electrical data based on sizing definition following the instructions on page 96.

KDN 80-315 - 2 POLES - STANDARDISED CENTRIFUGAL ELECTRIC PUMPS FOR AIR CONDITIONING, REFRIGERATION, IRRIGATION, DECANTING, PRESSURISATION SYSTEMS, AND INDUSTRIAL APPLICATIONS

Pumped liquid temperature range: from -10 °C to +140 °C - Maximum ambient temperature: +40°C

= 2900 1/min



See hydraulic efficiency details on page 291.

The performance curves are based on kinematic viscosity values = 1 mm²/s and density equal to 1000 kg/m³. Curve tolerance according to ISO 9906.

| MODEL | ELECTRICAL DATA | | | | | |
|------------|-----------------|------------|-------------------|------|-----|------------|
| | POWER (kW) | MOTOR SIZE | POWER INPUT 50 Hz | In A | | MOTOR TYPE |
| | 2 POLES | | | IE2 | IE3 | |
| KDN 80-315 | 55 | MEC 250M | 3 x 400 V - Δ | 94 | 95 | IE2 / IE3 |
| | 75 | MEC 280S | 3 x 400 V - Δ | 130 | 124 | IE2 / IE3 |
| | 90 | MEC 280M | 3 x 400 V - Δ | 154 | 148 | IE2 / IE3 |
| | 110 | MEC 315S | 3 x 400 V - Δ | 188 | 184 | IE2 / IE3 |

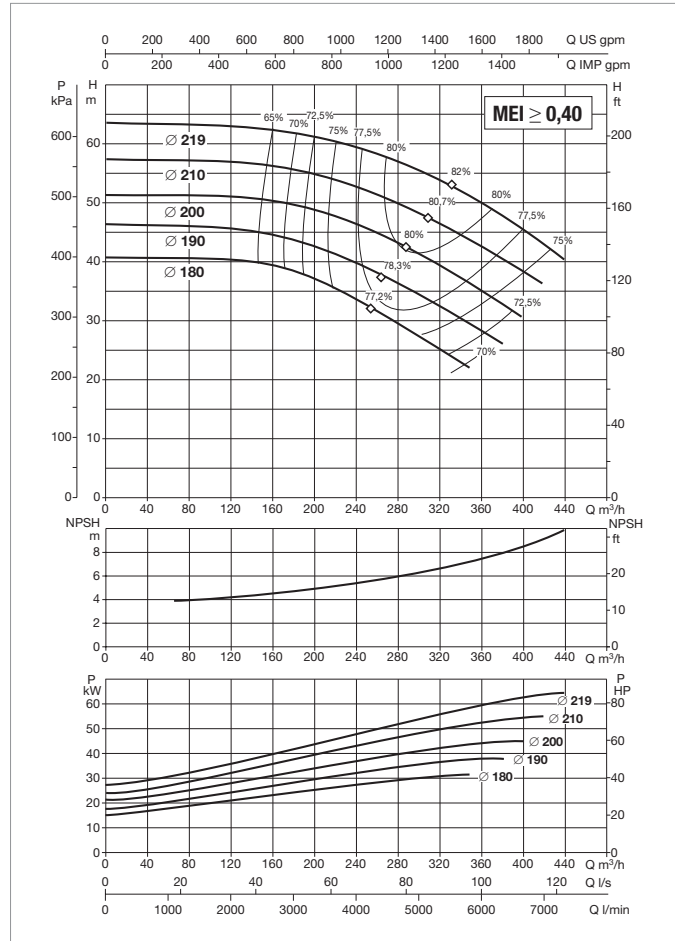
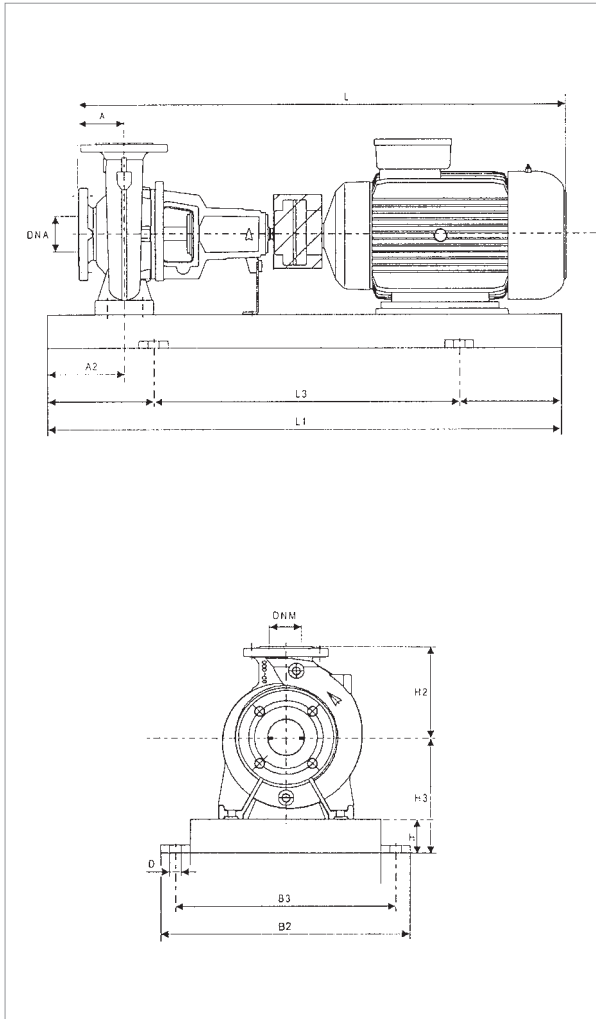
| MODEL | POWER (kW) | UNIT DIMENSIONS (mm) | | | | | | | | | | FLANGE DIMENSIONS (mm) | | STANDARD COUPLING | | | | SPACER COUPLING | | | | REF. |
|------------|------------|----------------------|-----------|-----|-----------|-----|-----------|------|-----------|-----|-----------|------------------------|-----------|-------------------|-----------|------|-----------|-----------------|-----------|------|------|------|
| | | A | A2 | H2 | H | H3 | L1 | L3 | B2 | B3 | D | DNA | DNM | IE2 | | IE3 | | IE2 | | IE3 | | |
| | | L | WEIGHT kg | L | WEIGHT kg | L | WEIGHT kg | L | WEIGHT kg | L | WEIGHT kg | L | WEIGHT kg | L | WEIGHT kg | L | WEIGHT kg | L | WEIGHT kg | | | |
| KDN 80-315 | 55 | 125 | 90 | 315 | 100 | 350 | 1600 | 1060 | 660 | 600 | 28 | 100 | 80 | 1515 | 707 | 1515 | 538 | 1655 | 715 | 1655 | 546 | 8 |
| | 75 | 125 | 90 | 315 | 100 | 350 | 1800 | 1200 | 730 | 670 | 28 | 100 | 80 | 1570 | 861 | 1568 | 628 | 1710 | 869 | 1708 | 636 | 9 |
| | 90 | 125 | 90 | 315 | 100 | 350 | 1800 | 1200 | 730 | 670 | 28 | 100 | 80 | 1620 | 681 | 1620 | 663 | 1760 | 689 | 1760 | 671 | 9 |
| | 110 | 125 | 90 | 315 | 120 | 370 | 2000 | 1340 | 910 | 830 | 28 | 100 | 80 | 1840 | 1131 | 1805 | 1231 | 1980 | 1139 | 1945 | 1239 | 9 |

Dimension and electrical data based on sizing definition following the instructions on page 96.

KDN 100-200 - 2 POLES - STANDARDISED CENTRIFUGAL ELECTRIC PUMPS FOR AIR CONDITIONING, REFRIGERATION, IRRIGATION, DECANTING, PRESSURISATION SYSTEMS, AND INDUSTRIAL APPLICATIONS

Pumped liquid temperature range: from -10 °C to +140 °C - Maximum ambient temperature: +40°C

= 2900 1/min



See hydraulic efficiency details on page 291.

The performance curves are based on kinematic viscosity values = 1 mm²/s and density equal to 1000 kg/m³. Curve tolerance according to ISO 9906.

| MODEL | ELECTRICAL DATA | | | | | |
|-------------|-----------------------|------------|----------------------|------|-----|------------|
| | POWER (kW) 2 POLES | MOTOR SIZE | POWER INPUT 50 Hz | In A | | MOTOR TYPE |
| | | | | IE2 | IE3 | |
| KDN 100-200 | 30 | MEC 200L | 3 x 400 V - Δ | 52 | 52 | IE2 / IE3 |
| | 37 | MEC 200L | 3 x 400 V - Δ | 64 | 63 | IE2 / IE3 |
| | 45 | MEC 225M | 3 x 400 V - Δ | 78.5 | 76 | IE2 / IE3 |
| | 55 | MEC 250M | 3 x 400 V - Δ | 94 | 95 | IE2 / IE3 |
| | 75 | MEC 280S | 3 x 400 V - Δ | 130 | 124 | IE2 / IE3 |
| | 90 | MEC 280M | 3 x 400 V - Δ | 154 | 148 | IE2 / IE3 |

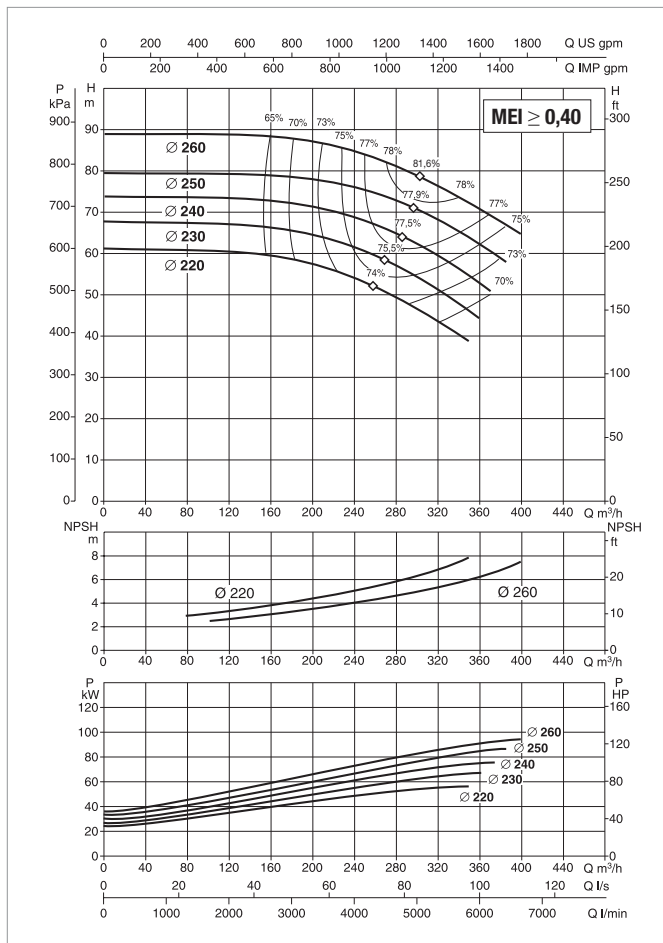
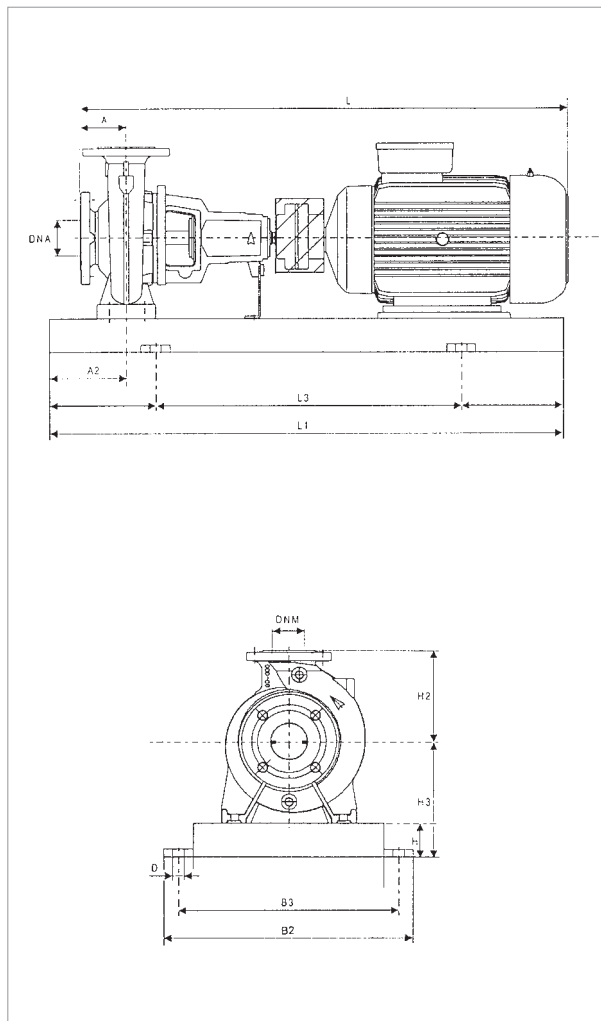
| MODEL | POWER (kW) | UNIT DIMENSIONS (mm) | | | | | | | | | | FLANGE DIMENSIONS (mm) | | STANDARD COUPLING | | | | SPACER COUPLING | | | | REF. |
|-------------|------------|----------------------|-----------|-----|-----------|-----|-----------|------|-----------|-----|-----------|------------------------|-----------|-------------------|-----------|------|-----------|-----------------|-----------|------|-----|------|
| | | A | A2 | H2 | H | H3 | L1 | L3 | B2 | B3 | D | DnA | DnM | IE2 | | IE3 | | IE2 | | IE3 | | |
| | | L | WEIGHT kg | L | WEIGHT kg | L | WEIGHT kg | L | WEIGHT kg | L | WEIGHT kg | L | WEIGHT kg | L | WEIGHT kg | L | WEIGHT kg | L | WEIGHT kg | | | |
| KDN 100-200 | 30 | 125 | 90 | 280 | 100 | 300 | 1400 | 940 | 610 | 550 | 28 | 125 | 100 | 1370 | 454 | 1380 | 466 | 1510 | 462 | 1520 | 474 | 7 |
| | 37 | 125 | 90 | 280 | 100 | 300 | 1400 | 940 | 610 | 550 | 28 | 125 | 100 | 1370 | 402 | 1380 | 427 | 1510 | 410 | 1520 | 435 | 7 |
| | 45 | 125 | 90 | 280 | 100 | 325 | 1400 | 940 | 610 | 550 | 28 | 125 | 100 | 1415 | 549 | 1420 | 588 | 1555 | 557 | 1560 | 596 | 7 |
| | 55 | 125 | 90 | 280 | 100 | 350 | 1600 | 1060 | 660 | 600 | 28 | 125 | 100 | 1515 | 623 | 1515 | 668 | 1655 | 631 | 1655 | 676 | 8 |
| | 75 | 125 | 90 | 280 | 100 | 380 | 1800 | 1200 | 730 | 670 | 28 | 125 | 100 | 1570 | 621 | 1568 | 621 | 1710 | 629 | 1708 | 629 | 9 |
| | 90 | 125 | 90 | 280 | 100 | 380 | 1800 | 1200 | 730 | 670 | 28 | 125 | 100 | 1620 | 621 | 1620 | 603 | 1760 | 629 | 1760 | 611 | 9 |

Dimension and electrical data based on sizing definition following the instructions on page 96.

KDN 100-250 - 2 POLES - STANDARDISED CENTRIFUGAL ELECTRIC PUMPS FOR AIR CONDITIONING, REFRIGERATION, IRRIGATION, DECANTING, PRESSURISATION SYSTEMS, AND INDUSTRIAL APPLICATIONS

Pumped liquid temperature range: from -10 °C to +140 °C - Maximum ambient temperature: +40°C

= 2900 1/min



See hydraulic efficiency details on page 291.

The performance curves are based on kinematic viscosity values = 1 mm²/s and density equal to 1000 kg/m³. Curve tolerance according to ISO 9906.

| MODEL | ELECTRICAL DATA | | | | | |
|-------------|-----------------|------------|-------------------|------|-----|------------|
| | POWER (kW) | MOTOR SIZE | POWER INPUT 50 Hz | In A | | MOTOR TYPE |
| | 2 POLES | | | IE2 | IE3 | |
| KDN 100-250 | 45 | MEC 225M | 3 x 400 V - Δ | 78.5 | 76 | IE2 / IE3 |
| | 55 | MEC 250M | 3 x 400 V - Δ | 94 | 95 | IE2 / IE3 |
| | 75 | MEC 280S | 3 x 400 V - Δ | 130 | 124 | IE2 / IE3 |
| | 90 | MEC 280M | 3 x 400 V - Δ | 154 | 148 | IE2 / IE3 |
| | 110 | MEC 315S | 3 x 400 V - Δ | 188 | 184 | IE2 / IE3 |

| MODEL | POWER (kW) | UNIT DIMENSIONS (mm) | | | | | | | | | | FLANGE DIMENSIONS (mm) | | STANDARD COUPLING | | | | SPACER COUPLING | | | | REF. |
|-------------|------------|----------------------|-----------|-----|-----------|-----|-----------|------|-----------|-----|-----------|------------------------|-----|-------------------|------|------|------|-----------------|------|------|------|------|
| | | A | A2 | H2 | H | H3 | L1 | L3 | B2 | B3 | D | DNA | DNM | IE2 | | IE3 | | IE2 | | IE3 | | |
| | | L | WEIGHT kg | L | WEIGHT kg | L | WEIGHT kg | L | WEIGHT kg | L | WEIGHT kg | | | | | | | | | | | |
| KDN 100-250 | 45 | 125 | 90 | 280 | 100 | 325 | 1600 | 1060 | 660 | 600 | 28 | 125 | 100 | 1430 | 696 | 1435 | 735 | 1570 | 704 | 1575 | 743 | 8 |
| | 55 | 125 | 90 | 280 | 100 | 325 | 1600 | 1060 | 600 | 600 | 28 | 125 | 100 | 1530 | 696 | 1530 | 741 | 1670 | 704 | 1670 | 749 | 8 |
| | 75 | 125 | 90 | 280 | 100 | 380 | 1800 | 1200 | 730 | 670 | 28 | 125 | 100 | 1585 | 850 | 1583 | 850 | 1725 | 858 | 1723 | 858 | 9 |
| | 90 | 125 | 90 | 280 | 100 | 380 | 1800 | 1200 | 730 | 670 | 28 | 125 | 100 | 1635 | 670 | 1635 | 652 | 1775 | 678 | 1775 | 660 | 9 |
| | 110 | 125 | 90 | 280 | 100 | 435 | 2000 | 1340 | 910 | 830 | 28 | 125 | 100 | 1855 | 1120 | 1820 | 1220 | 1995 | 1128 | 1960 | 1228 | 9 |

Dimension and electrical data based on sizing definition following the instructions on page 96.

KDN - 2 POLES

STANDARDISED CENTRIFUGAL ELECTRIC PUMPS

IE2 STANDARD MOTOR ELECTRIC DATA

=2900 1/min

| MOTOR TYPE | P2 NOMINAL kW | SPEED rpm | YIELD % | POWER FACTOR COS φ | POWER INPUT 50 Hz | In A | | Start-up current Ia/In | Start-up torque Ma/Mn | Maximum torque M/k/Mn | POLES |
|------------|---------------|-----------|---------|--------------------|-------------------|------|------|------------------------|-----------------------|-----------------------|-------|
| | | | | | | 230 | 400 | | | | |
| MEC 71 | 0.25 | 2790 | 69.81 | 0.778 | 3 x 230/400 | 1.15 | 0.67 | 5.06 | 2.90 | 3.01 | 2 |
| MEC 71 | 0.37 | 2820 | 72.79 | 0.783 | 3 x 230/400 | 1.61 | 0.93 | 5.40 | 2.69 | 2.99 | 2 |
| MEC 80 | 0.55 | 2810 | 76.97 | 0.800 | 3 x 230/400 | 2.23 | 1.29 | 6.41 | 3.43 | 3.13 | 2 |
| MEC 80 | 0.75 | 2880 | 81.52 | 0.823 | 3 x 230/400 | 2.81 | 1.62 | 7.93 | 3.47 | 3.33 | 2 |
| MEC 80 | 1.10 | 2870 | 81.82 | 0.826 | 3 x 230/400 | 4.07 | 2.36 | 7.92 | 3.42 | 3.25 | 2 |
| MEC 90S | 1.50 | 2880 | 82.95 | 0.794 | 3 x 230/400 | 5.80 | 3.35 | 8.85 | 4.18 | 3.80 | 2 |
| MEC 90L | 2.20 | 2870 | 83.41 | 0.811 | 3 x 230/400 | 8.23 | 4.75 | 8.31 | 3.87 | 1.87 | 2 |

| MOTOR TYPE | P2 NOMINAL kW | SPEED rpm | YIELD % | POWER FACTOR COS φ | POWER INPUT 50 Hz | In A | | Start-up current Ia/In | Start-up torque Ma/Mn | Maximum torque M/k/Mn | POLES |
|------------|---------------|-----------|---------|--------------------|-------------------|--------|--------|------------------------|-----------------------|-----------------------|-------|
| | | | | | | 400 | 690 | | | | |
| MEC 100L | 3.00 | 2880 | 86.25 | 0.861 | 3 x 400 Δ | 5.85 | 3.40 | 8.93 | 3.17 | 3.70 | 2 |
| MEC 112M | 4.00 | 2910 | 87.10 | 0.856 | 3 x 400 Δ | 8.05 | 4.65 | 9.14 | 2.99 | 3.53 | 2 |
| MEC 132S | 5.50 | 2910 | 88.40 | 0.873 | 3 x 400 Δ | 10.40 | 6.00 | 7.77 | 2.53 | 3.26 | 2 |
| MEC 132S | 7.50 | 2900 | 88.40 | 0.882 | 3 x 400 Δ | 14.00 | 8.08 | 7.62 | 2.34 | 3.11 | 2 |
| MEC 160M | 11.00 | 2930 | 89.82 | 0.890 | 3 x 400 Δ | 20.20 | 11.66 | 6.24 | 2.16 | 2.79 | 2 |
| MEC 160M | 15.00 | 2940 | 90.46 | 0.890 | 3 x 400 Δ | 27.00 | 15.59 | 7.03 | 2.57 | 3.02 | 2 |
| MEC 160L | 18.50 | 2940 | 91.49 | 0.893 | 3 x 400 Δ | 33.00 | 19.05 | 7.27 | 2.69 | 3.21 | 2 |
| MEC 180M | 22.00 | 2960 | 92.05 | 0.875 | 3 x 400 Δ | 39.50 | 23.00 | 8.33 | 2.80 | 3.43 | 2 |
| MEC 200L | 30.00 | 2950 | 92.50 | 0.899 | 3 x 400 Δ | 52.00 | 30.02 | 7.79 | 2.37 | 3.06 | 2 |
| MEC 200L | 37.00 | 2960 | 92.90 | 0.897 | 3 x 400 Δ | 64.00 | 36.95 | 7.62 | 2.50 | 3.22 | 2 |
| MEC 225M | 45.00 | 2960 | 92.94 | 0.901 | 3 x 400 Δ | 78.50 | 45.32 | 6.73 | 2.40 | 2.85 | 2 |
| MEC 250M | 55.00 | 2970 | 93.97 | 0.900 | 3 x 400 Δ | 94.00 | 54.50 | 8.33 | 2.42 | 3.04 | 2 |
| MEC 280S | 75.00 | 2980 | 94.12 | 0.895 | 3 x 400 Δ | 130.00 | 74.50 | 7.73 | 2.36 | 3.21 | 2 |
| MEC 280M | 90.00 | 2980 | 94.51 | 0.918 | 3 x 400 Δ | 154.00 | 89.00 | 7.97 | 2.80 | 3.44 | 2 |
| MEC 315S | 110.00 | 2980 | 94.53 | 0.893 | 3 x 400 Δ | 188.00 | 110.00 | 8.06 | 2.53 | 3.53 | 2 |
| MEC 315M | 132.00 | 2970 | 94.80 | 0.923 | 3 x 400 Δ | 220.00 | 130.00 | 6.18 | 2.14 | 2.77 | 2 |
| MEC 315L | 160.00 | 2970 | 94.80 | 0.926 | 3 x 400 Δ | 265.00 | 155.00 | 5.96 | 2.12 | 2.65 | 2 |
| MEC 315L | 200.00 | 2970 | 95.20 | 0.925 | 3 x 400 Δ | 330.00 | 190.00 | 5.78 | 2.10 | 2.55 | 2 |
| MEC355M | 250.00 | 2980 | 96.04 | 0.897 | 3 x 400 Δ | 418.50 | 242.60 | 7.84 | 2.37 | 3.77 | 2 |
| MEC355L | 315.00 | 2980 | 96.43 | 0.903 | 3 x 400 Δ | 521.50 | 302.30 | 7.96 | 2.36 | 3.81 | 2 |

KDN - 2 POLES

STANDARDISED CENTRIFUGAL ELECTRIC PUMPS

IE3 STANDARD MOTOR ELECTRIC DATA

=2900 1/min

| MOTOR TYPE | P2 NOMINAL kW | SPEED rpm | YIELD % | POWER FACTOR COS φ | POWER INPUT 50 Hz | In A | | Start-up current Ia/In | Start-up torque Ma/Mn | Maximum torque M/k/Mn | POLES |
|------------|---------------|-----------|---------|----------------------------|-------------------|--------|--------|------------------------|-----------------------|-----------------------|-------|
| | | | | | | 400 | 690 | | | | |
| MEC 132S | 7.50 | 2920 | 90.10 | 0.900 | 3 x 400 Δ | 13.40 | 7.75 | 8.50 | 2.20 | 3.20 | 2 |
| MEC 160M | 11.00 | 2940 | 91.20 | 0.900 | 3 x 400 Δ | 19.40 | 11.21 | 7.60 | 2.40 | 3.30 | 2 |
| MEC 160M | 15.00 | 2920 | 91.30 | 0.900 | 3 x 400 Δ | 26.50 | 15.32 | 7.70 | 2.60 | 3.30 | 2 |
| MEC 160L | 18.50 | 2920 | 92.40 | 0.910 | 3 x 400 Δ | 32.00 | 18.50 | 8.20 | 2.80 | 3.40 | 2 |
| MEC 180M | 22.00 | 2950 | 92.70 | 0.910 | 3 x 400 Δ | 38.00 | 21.97 | 8.70 | 2.60 | 3.90 | 2 |
| MEC 200L | 30.00 | 2960 | 93.30 | 0.890 | 3 x 400 Δ | 52.00 | 30.06 | 9.00 | 3.00 | 3.90 | 2 |
| MEC 200L | 37.00 | 2960 | 93.70 | 0.910 | 3 x 400 Δ | 63.00 | 36.42 | 9.00 | 3.10 | 3.90 | 2 |
| MEC 225M | 45.00 | 2960 | 94.00 | 0.910 | 3 x 400 Δ | 76.00 | 43.93 | 8.30 | 2.50 | 3.60 | 2 |
| MEC 250M | 55.00 | 2970 | 94.30 | 0.890 | 3 x 400 Δ | 95.00 | 54.91 | 7.20 | 2.30 | 3.60 | 2 |
| MEC 280S | 75.00 | 2970 | 94.70 | 0.920 | 3 x 400 Δ | 124.00 | 71.68 | 8.00 | 2.40 | 3.30 | 2 |
| MEC 280M | 90.00 | 2970 | 95.00 | 0.920 | 3 x 400 Δ | 148.00 | 85.55 | 8.10 | 2.50 | 3.30 | 2 |
| MEC 315S | 110.00 | 2980 | 95.20 | 0.910 | 3 x 400 Δ | 184.00 | 106.36 | 6.70 | 1.80 | 3.10 | 2 |
| MEC 315M | 132.00 | 2980 | 95.40 | 0.920 | 3 x 400 Δ | 220.00 | 127.17 | 6.50 | 1.80 | 2.90 | 2 |
| MEC 315L | 160.00 | 2980 | 95.60 | 0.920 | 3 x 400 Δ | 265.00 | 153.18 | 6.60 | 1.90 | 2.80 | 2 |
| MEC 315L | 200.00 | 2980 | 95.80 | 0.920 | 3 x 400 Δ | 330.00 | 190.75 | 6.10 | 1.80 | 2.60 | 2 |
| MEC 355M | 250.00 | 2980 | 95.80 | 0.920 | 3 x 400 Δ | 410.00 | 236.99 | 6.90 | 2.00 | 2.90 | 2 |
| MEC 355L | 315.00 | 2980 | 95.80 | 0.920 | 3 x 400 Δ | 520.00 | 300.58 | 5.70 | 1.70 | 2.40 | 2 |